

SERIES 5570, IMPACT RESISTANT SLIDING GLASS DOOR

TO ACHIEVE PROPER ANCHOR EDGE DISTANCE, THE FOLLOWING SHEETS SHOW ANCHOR PATTERNS THAT MUST BE USED WHEN INSTALLING WITH THE FRAME FIN-ADDON. ANCHORS TO BE INSTALLED THROUGH THE MAIN FRAME AND NOT THE FRAME FIN-ADDON.

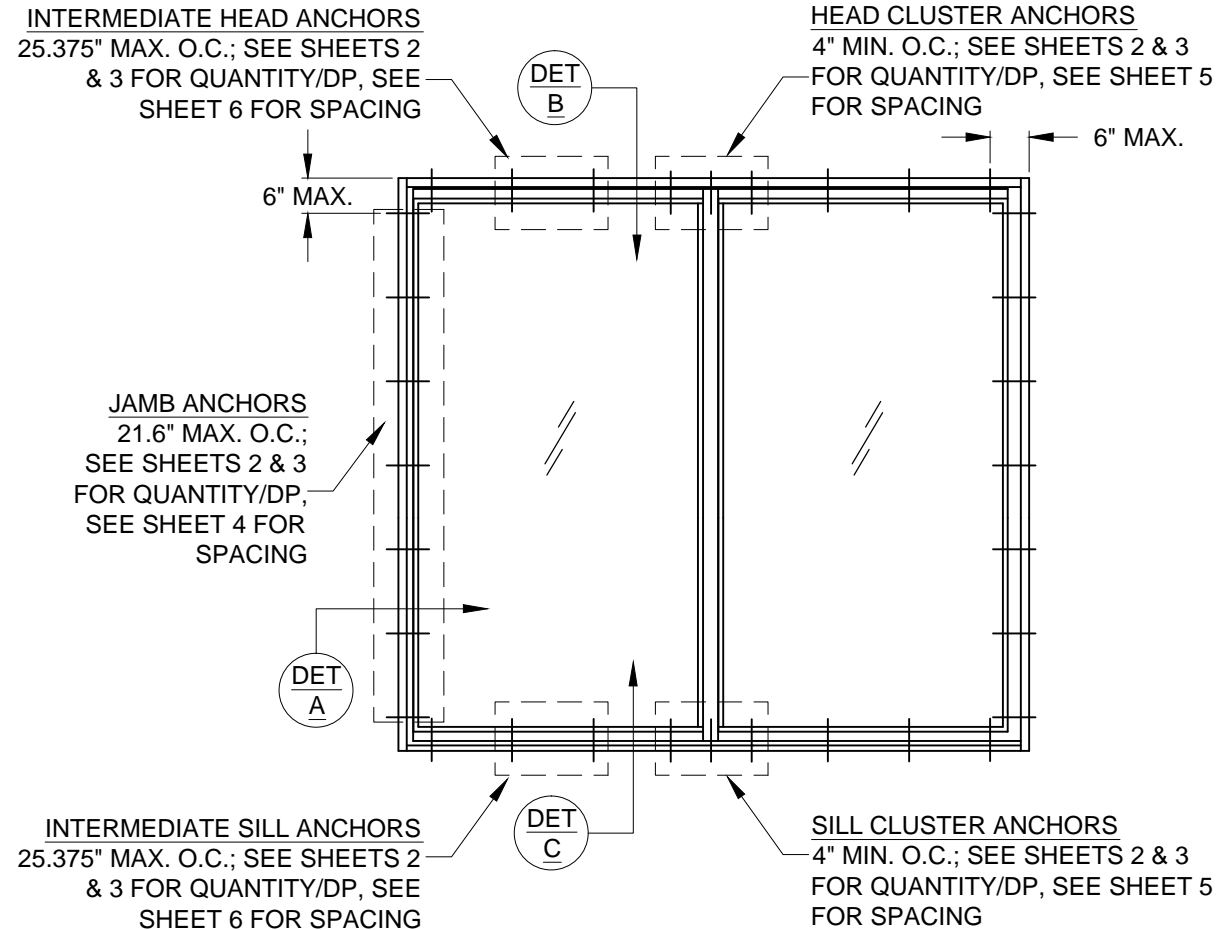


TABLE A:

Group	Anchor	Substrate	Frame Member	Min. Edge Distance	Min. Embedment
A	#12, steel SMS (G5) or 410 S.S. SMS, (min. 11 threads/in)	P.T. Southern Pine (SG=0.55)	Head/Sill/Jamb	9/16"	1-3/8"
			P-hook	9/16"	1-3/8"
		Aluminum, 6063-T5* (0.125" min. thickness)	Head/Sill/Jamb	3/8"	1/8"
			P-hook	3/8"	1/8"
		Steel, A36* (0.060" min. thickness)	Head/Sill/Jamb	3/8"	0.060"
			P-hook	3/8"	0.060"
	1/4" Elco Ultracon	P.T. Southern Pine (SG=0.55)	Jamb	1"	1-3/8"
			P-hook	1"	1-3/8"
	1/4" Elco 410 S.S. CreteFlex	P.T. Southern Pine (SG=0.55)	Head/Sill/Jamb	1"	1-3/8"
			P-hook	1"	1-3/8"
B	#12, steel wood screw (G5)	P.T. Southern Pine (SG=0.55)	Head/Sill/Jamb	9/16"	1-3/8"
			P-hook	9/16"	1-3/8"
C	1/4" Elco Ultracon	Concrete (min. 2.85 ksi)	P-hook	1"	1-3/8"
		Ungrouted CMU, (ASTM C-90)	Jamb	1"	1-1/4"
			P-hook	1"	1-1/4"
			Jamb	1-3/4"	1-1/4"
	1/4" Elco 410 S.S. CreteFlex	Ungrouted CMU, (ASTM C-90)	P-hook	1-3/4"	1-1/4"
		Concrete (min. 3.35 ksi)	Head/Sill/Jamb	1-3/16"	1-3/4"
		P-hook	1"	1-3/4"	
	1/4" Elco 18-8 S.S. Aggre-Gator	Concrete (min. 2.22 ksi)	Head/Sill/Jamb	1-1/2"	1-3/8"
			P-hook	1-1/2"	1-3/8"
		Ungrouted CMU, (ASTM C-90)	Jamb	2"	1-1/4"
			P-hook	2"	1-1/4"
	D	1/4" Elco Ultracon	P.T. Southern Pine (SG=0.55)	Head/Sill/Jamb	1"
			P-hook	1"	1-3/8"
Concrete (min. 2.85 ksi)			Head/Sill/Jamb	2-1/2"	1-3/8"
			P-hook	2-1/2"	1-3/8"
	1/4" Elco 410 S.S. CreteFlex	Ungrouted CMU, (ASTM C-90)	Jamb	2-1/2"	1-1/4"
			P-hook	2-1/2"	1-1/4"
		Concrete (min. 3.35 ksi)	Head/Sill/Jamb	2-1/2"	1-3/4"
			P-hook	2-1/2"	1-3/8"
	1/4" Elco 410 S.S. CreteFlex	Ungrouted CMU, (ASTM C-90)	Jamb	2-1/2"	1-1/4"
			P-hook	2-1/2"	1-1/4"
		Concrete (min. 3.35 ksi)	Head/Sill/Jamb	2-1/2"	1-3/4"
			P-hook	2-1/2"	1-3/8"

* MIN. OF 3 THREADS BEYOND THE METAL SUBSTRATE.

FOR STEEL STUDS, MIN. FU=45 KSI & MIN. FY=33 KSI.

"UNGROUTED CMU" VALUES MAY BE USED FOR GROUTED CMU APPLICATIONS.

INSTRUCTIONS:

- 1) KNOWING THE REQUIRED DESIGN PRESSURE OF THE OPENING, THE ANCHOR REQUIREMENTS FOR THE SLIDING GLASS DOORS MAY BE DETERMINED FROM DESIGN PRESSURE TABLES 1 OR 2, DEPENDING ON THE REINFORCEMENT LEVEL DESIRED.
- 2) LOCATE THE SLIDING GLASS DOOR SIZE ON THE TABLE, USING THE FRAME HEIGHT AND THE NOMINAL PANEL WIDTH. IF YOUR EXACT SIZE IS NOT SHOWN, ROUND UP TO THE NEXT GREATER LISTED WIDTH AND/OR HEIGHT.
- 3) CHOOSE WHICH ANCHOR GROUP (A-D) IS MOST APPLICABLE. ANCHORS ARE DEFINED IN TABLE A, THIS SHEET, ALONG WITH THE CORRESPONDING SUBSTRATE, MINIMUM EMBEDMENT AND MINIMUM EDGE DISTANCE.
- 4) FROM THE DESIGN PRESSURE TABLES (TABLES 1 OR 2), VERIFY THAT THE OPENING'S REQUIRED DESIGN PRESSURE IS MET OR EXCEEDED. USE THE ANCHOR QUANTITIES SHOWN.
- 5) INSTALL AS PER THE GUIDELINES OF THIS SHEET-SET.

Nominal Panel Size		Design		Certification Numbers
Width	Height	(+) psf	(-) psf	
48"	120"	60	65	190-267, 774
60"	96"	80	80	190-265, 787
48"	96"	90	90	190-266, 773
48"	96"	60	60	190-263, 770
60"	120"	45	50	190-504, 1079

GENERAL NOTES:

- 1) INSTALLATION SCREWS & FRAME SPLICES TO BE SEALED WITH NARROW JOINT SEALANT.
- 2) DOOR SIZES MUST BE VERIFIED FOR COMPLIANCE WITH EGRESS REQUIREMENTS PER THE IBC, AS APPLICABLE.
- 3) DRAWINGS DEPICT EXTERIOR-GLAZING, HOWEVER INTERIOR-GLAZING MAY BE SUBSTITUTED.



Series	SGD-5570	Scale	NTS	Sheet	1 OF 9	DWG No.	5570FIN.1	Rev. No.	
Title	VINYL SLIDING GLASS DOOR				Date	09/20/16			
Desc.	GENERAL NOTES				Drawn By	J ROSOWSKI			
Rev A		Rev A		Rev A		Date		Date	
Rev B		Rev B		Rev B		Date		Date	

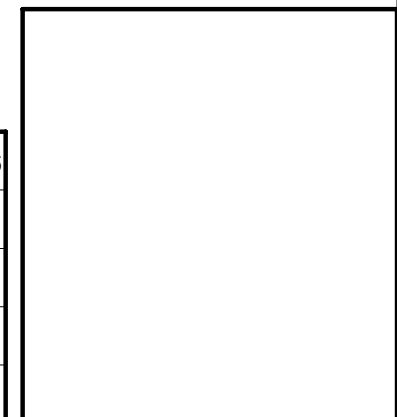


TABLE 1:

Design Pressure (DP) and Anchor Quantities Required															
Use this table for: Glass Types 1, 3 or 5 Astragal Reinforcement #29 Lockstile Reinforcement #25 or #26 Std. Interlock Reinforcement #27			Door Unit Height												
			80"				84"				96"				
			68-15/16" DLO Height				72-15/16" DLO Height				84-15/16" DLO Height				
			Anchor Group				Anchor Group				Anchor Group				
			A	B	C	D	A	B	C	D	A	B	C	D	
Nominal Panel Width	24"	19-1/8" DLO Width	Design Pressure	+60 / -60 psf				+60 / -60 psf				+60 / -60 psf			
			Head/Sill	C3+1	C3+1	C3+1	C3+1	C3+1	C3+1	C3+1	C3+1	C3+1	C3+1	C3+1	C3+1
			Jamb	5	5	5	5	5	5	5	5	5	5	5	5
			P-hook	7	7	7	7	7	7	7	7	8	8	8	8
	30"	25-1/8" DLO Width	Design Pressure	+60 / -60 psf				+60 / -60 psf				+60 / -60 psf			
			Head/Sill	C3+1	C3+1	C3+1	C3+1	C3+1	C3+1	C3+1	C3+1	C3+1	C3+1	C3+1	C3+1
			Jamb	5	5	5	5	5	5	5	5	5	5	5	5
			P-hook	7	7	7	7	7	7	7	7	8	8	8	8
	36"	31-1/8" DLO Width	Design Pressure	+60 / -60 psf				+60 / -60 psf				+60 / -60 psf			
			Head/Sill	C3+1	C3+1	C3+1	C3+1	C3+1	C3+1	C3+1	C3+1	C3+1	C3+1	C3+1	C3+1
			Jamb	5	5	5	5	5	5	5	5	5	5	5	5
			P-hook	7	7	7	7	7	7	7	7	8	8	8	8
42"	37-1/8" DLO Width	Design Pressure	+60 / -60 psf				+60 / -60 psf				+60 / -60 psf				
		Head/Sill	C3+1	C3+1	C3+1	C3+1	C3+1	C3+1	C3+1	C3+1	C3+1	C3+1	C3+1	C3+1	
		Jamb	5	5	5	5	5	5	5	5	5	5	5	5	
		P-hook	7	7	7	7	7	7	7	7	8	8	8	8	
48"	43-1/8" DLO Width	Design Pressure	+60 / -60 psf				+60 / -60 psf				+60 / -60 psf				
		Head/Sill	C3+2	C3+1	C3+1	C3+1	C3+2	C3+1	C3+1	C3+1	C5+2	C3+1	C3+1	C3+1	
		Jamb	5	5	5	5	5	5	5	5	5	5	6	5	
		P-hook	7	7	7	7	7	7	7	7	8	8	8	8	

ANCHORAGE TYPE PER SUBSTRATE REQUIRED TO ACHIEVE THE DESIGN PRESSURE, USING THE ANCHOR QUANTITIES LISTED BELOW. SEE TABLE A, SHEET 1 FOR COMPLETE ANCHOR LIMITATIONS.

THE MAXIMUM DP AT THESE ANCHOR QUANTITIES. ADDITIONALLY, THE MAXIMUM POSITIVE DP DUE TO THE SILL HEIGHT MUST ALSO BE CONSIDERED, SEE TABLE B1, THIS SHEET.

OF ANCHORS THROUGH THE HEAD & SILL. (EX: FOR C3+1, 3 ANCHORS CLUSTERED AT PANEL MEETING POINT AND 1 ANCHOR REQUIRED AT INTERMEDIATE OF PANEL).

TOTAL # OF ANCHORS THROUGH THE JAMB.

FOR POCKET CONFIGURATIONS, THE # OF ANCHORS REQUIRED THROUGH THE P-HOOK, PERPENDICULAR TO THE GLASS.

TABLE B1:

Water-Limited (+) Design Pressure		
Sill Riser	Nom. Sill Height	Max. (+) DP Allowed
None	1-11/16"	See Note 2
42	2-1/2"	+38.7 psf
43	3-1/2"	+60.0 psf
44	4-1/16"	+60.0 psf
45	4-5/8"	+60.0 psf

DLO WIDTH = NOM. PANEL WIDTH - 8-9/16"
DLO HEIGHT = DOOR HEIGHT - 11-1/16"
PANEL HEIGHT = DOOR HEIGHT - 2-1/2"

TABLE NOTES:

- 1) IF WATER INFILTRATION RESISTANCE IS REQUIRED, THE LESSER VALUES OF EITHER TABLE 1 AND TABLE B1 DETERMINES THE WATER LIMITED (+) DP.
- 2) IF WATER INFILTRATION RESISTANCE IS NOT REQUIRED, A SILL RISER IS NOT REQUIRED. IF SO, +DP'S SHOWN IN TABLE 1 MAY BE USED.
- 3) SHEET APPLIES TO 2, 3 AND 4 TRACK CONFIGURATIONS.



Series		Rev A		Rev B		Rev C		Rev D		Rev E	
VINYL SLIDING GLASS DOOR						Date		09/20/16			
DP & ANCHOR QUANTITY TABLE						Drawn By		J ROSOWSKI			
SGD-5570						Scale		NTS		Sheet	
2 OF 9						DWG No.		5570FIN.1		Rev. No.	

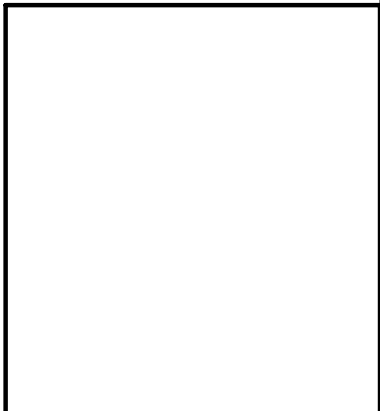


TABLE 2:

Design Pressure (DP) and Anchor Quantities Required

Use this table for: Glass Types 2 or 4 Astragal Reinforcement #29 Lockstile Reinforcement #25 HD Interlock Reinforcement #28			Door Unit Height																					
			80"				84"				96"				108"				120"					
			68-15/16" DLO Height				72-15/16" DLO Height				84-15/16" DLO Height				96-15/16" DLO Height				108-15/16" DLO Height					
			Anchor Group				Anchor Group				Anchor Group				Anchor Group				Anchor Group					
			A	B	C	D	A	B	C	D	A	B	C	D	A	B	C	D	A	B	C	D		
Nominal Panel Width	24"	19-1/8" DLO Width	Design Pressure		+100 / -100 psf				+100 / -100 psf				+100 / -100 psf				+60 / -65 psf				+60 / -65 psf			
		Head/Sill	C3+1	C3+1	C3+1	C3+1	C3+1	C3+1	C3+1	C3+1	C5+1	C3+1	C3+1	C3+1	C3+1	C3+1	C3+1	C3+1	C3+1	C3+1	C3+1	C3+1		
		Jamb	5	5	5	5	5	5	5	5	5	5	5	5	6	6	6	6	6	6	6	6		
	P-hook	7	7	7	7	7	7	7	7	8	8	8	8	9	9	9	9	10	10	10	10			
	30"	25-1/8" DLO Width	Design Pressure		+100 / -100 psf				+100 / -100 psf				+100 / -100 psf				+60 / -65 psf				+60 / -65 psf			
		Head/Sill	C5+1	C3+1	C3+1	C3+1	C5+1	C3+1	C3+1	C3+1	C5+1	C3+1	C5+1	C3+1	C3+1	C3+1	C3+1	C3+1	C5+1	C3+1	C3+1	C3+1		
		Jamb	5	5	5	5	5	5	6	5	5	5	7	5	6	6	6	6	6	6	6	6		
	P-hook	7	7	7	7	7	7	7	7	8	8	8	8	9	9	9	9	10	10	10	10			
	36"	31-1/8" DLO Width	Design Pressure		+100 / -100 psf				+100 / -100 psf				+100 / -100 psf				+60 / -65 psf				+60 / -65 psf			
		Head/Sill	C5+2	C3+1	C5+1	C3+1	C5+2	C3+1	C5+1	C3+1	C5+2	C5+1	C5+1	C3+1	C5+1	C3+1	C3+1	C3+1	C5+1	C3+1	C5+1	C3+1		
		Jamb	5	5	6	5	5	5	6	5	5	5	7	5	6	6	6	6	6	6	6	6		
	P-hook	7	7	7	7	7	7	7	7	8	8	8	8	9	9	9	9	10	10	10	10			
	42"	37-1/8" DLO Width	Design Pressure		+100 / -100 psf				+100 / -100 psf				+100 / -100 psf				+60 / -65 psf				+60 / -65 psf			
		Head/Sill	C5+2	C3+2	C5+2	C3+1	C5+2	C5+2	C5+2	C3+1	C5+2	C5+2	C5+2	C3+1	C5+1	C3+1	C5+1	C3+1	C5+1	C5+1	C5+1	C3+1		
		Jamb	5	5	7	5	5	5	7	5	5	5	8	5	6	6	6	6	6	6	7	6		
	P-hook	7	7	7	7	7	7	7	7	8	8	8	8	9	9	9	9	10	10	10	10			
	48"	43-1/8" DLO Width	Design Pressure		+100 / -100 psf				+100 / -100 psf				+92 / -92 psf *				+60 / -65 psf				+60 / -65 psf			
		Head/Sill	C5+2	C5+2	C5+2	C3+2	C5+2	C5+2	C5+2	C3+2	C5+2	C5+2	C5+2	C5+2	C5+2	C3+1	C5+2	C3+1	C5+2	C5+1	C5+2	C3+1		
		Jamb	5	5	7	5	5	5	8	5	5	5	9	5	6	6	7	6	6	6	8	6		
	P-hook	7	7	7	7	7	7	8	8	8	8	9	9	9	9	9	9	10	10	10	10			
54"	49-1/8" DLO Width	Design Pressure		+80 / -80 psf				+80 / -80 psf				+80 / -80 psf				+45 / -50 psf				+45 / -50 psf				
	Head/Sill	C5+2	C3+2	C5+2	C3+2	C5+2	C3+2	C5+2	C3+2	C5+2	C5+2	C5+2	C3+2	C5+2	C5+2	C5+2	C5+2	C5+2	C5+2	C5+2	C5+2			
	Jamb	5	5	6	5	5	5	7	5	5	5	8	5	6	6	6	6	6	6	7	6			
P-hook	7	7	7	7	7	7	7	7	8	8	8	8	9	9	9	9	10	10	10	10				
60"	55-1/8" DLO Width	Design Pressure		+80 / -80 psf				+80 / -80 psf				+80 / -80 psf				+45 / -50 psf				+45 / -50 psf				
	Head/Sill	C5+3	C3+2	C5+3	C3+2	C5+3	C3+2	C5+3	C3+2	C5+3	C5+2	C5+3	C3+2	C5+2	C5+2	C5+2	C5+2	C5+2	C5+2	C5+2	C5+2			
	Jamb	5	5	6	5	5	5	7	5	5	5	8	5	6	6	6	6	6	6	7	6			
P-hook	7	7	7	7	7	7	7	7	8	8	8	8	9	9	9	9	10	10	10	10				

* +/-100.0 PSF FOR ANCHOR GROUPS B, C & D.

ANCHORAGE TYPE PER SUBSTRATE REQUIRED TO ACHIEVE THE DESIGN PRESSURE, USING THE ANCHOR QUANTITIES LISTED BELOW. SEE TABLE A, SHEET 1 FOR COMPLETE ANCHOR LIMITATIONS.

THE MAXIMUM DP AT THESE ANCHOR QUANTITIES. ADDITIONALLY, THE MAXIMUM POSITIVE DP DUE TO THE SILL HEIGHT MUST ALSO BE CONSIDERED, SEE TABLE B2, THIS SHEET.

OF ANCHORS THROUGH THE HEAD & SILL. (EX: FOR C3+1, 3 ANCHORS CLUSTERED AT PANEL MEETING POINT AND 1 ANCHOR REQUIRED AT INTERMEDIATE OF PANEL).

TOTAL # OF ANCHORS THROUGH THE JAMB.

FOR POCKET CONFIGURATIONS, THE # OF ANCHORS REQUIRED THROUGH THE P-HOOK, PERPENDICULAR TO THE GLASS.

TABLE B2:

Water-Limited (+) Design Pressure		
Sill Riser	Nom. Sill Height	Max. (+) DP Allowed
None	1-11/16"	See Note 2
42	2-1/2"	+38.7 psf
43	3-1/2"	+60.0 psf
44	4-1/16"	+80.0 psf
45	4-5/8"	+100.0 psf

DLO WIDTH = NOM. PANEL WIDTH - 8-9/16"
DLO HEIGHT = DOOR HEIGHT - 11-1/16"
PANEL HEIGHT = DOOR HEIGHT - 2-1/2"

TABLE NOTES:

- IF WATER INFILTRATION RESISTANCE IS REQUIRED, THE LESSER VALUES OF EITHER TABLE 2 AND TABLE B2 DETERMINES THE WATER LIMITED (+) DP.
- IF WATER INFILTRATION RESISTANCE IS NOT REQUIRED, A SILL RISER IS NOT REQUIRED. IF SO, +DP'S SHOWN IN TABLE 2 MAY BE USED.
- SHEET APPLIES TO 2, 3 AND 4 TRACK CONFIGURATIONS.



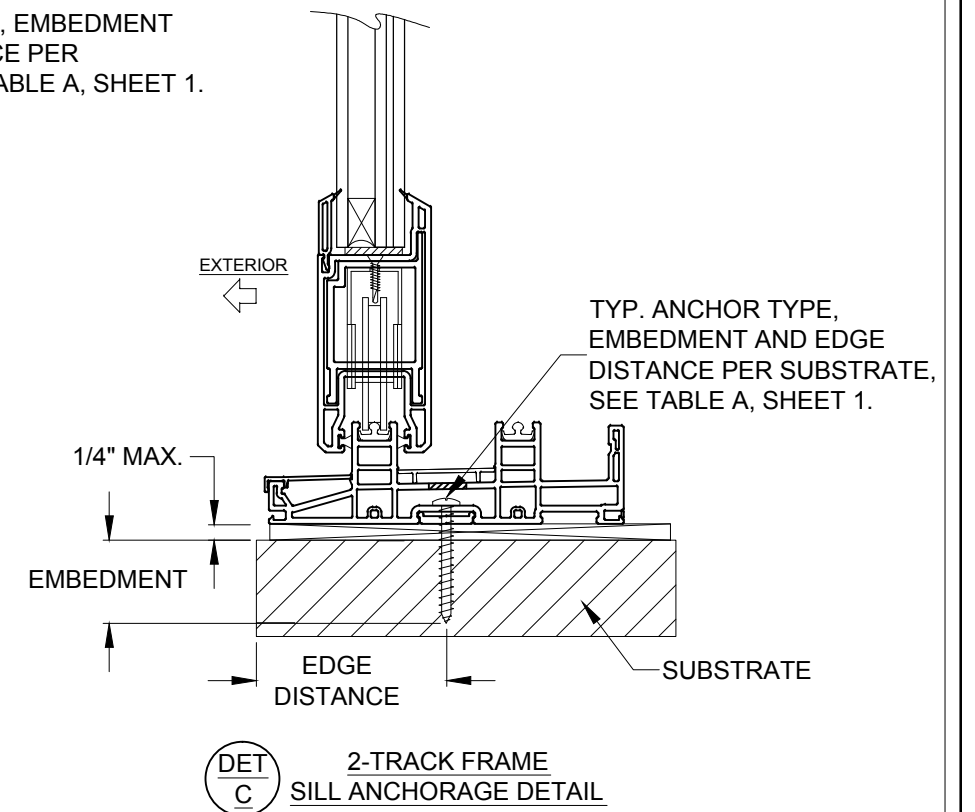
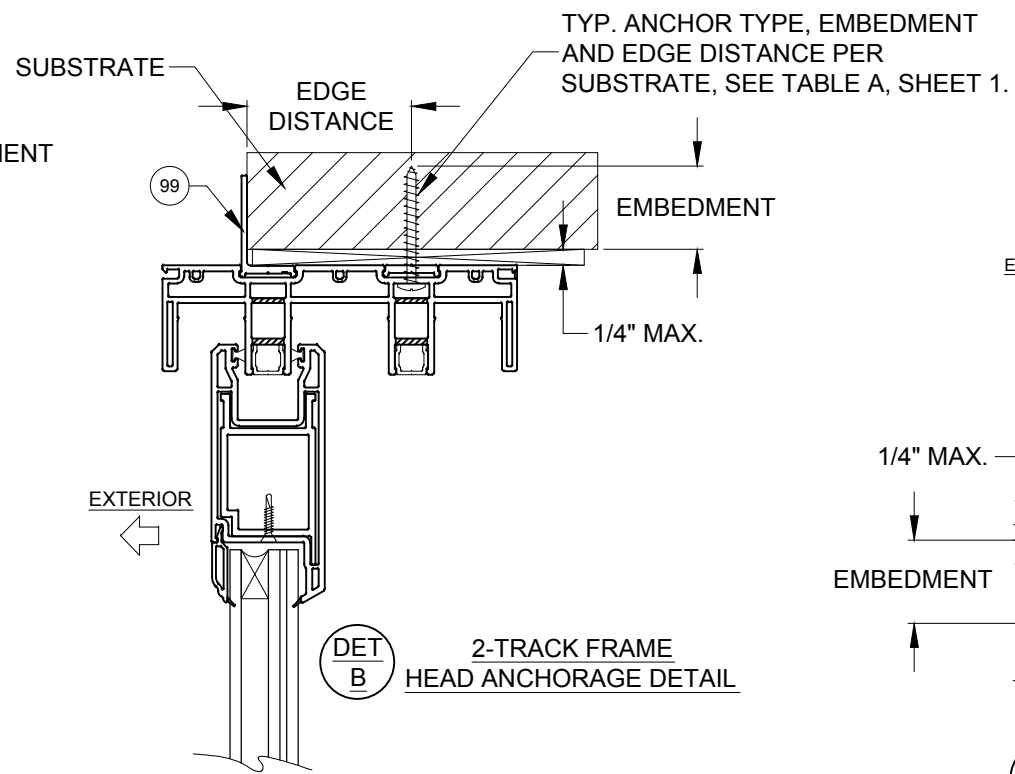
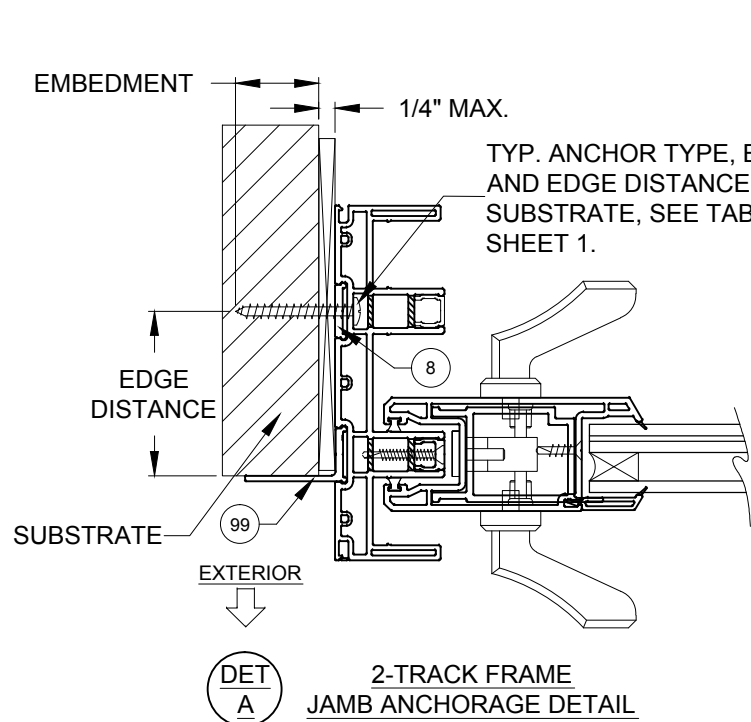
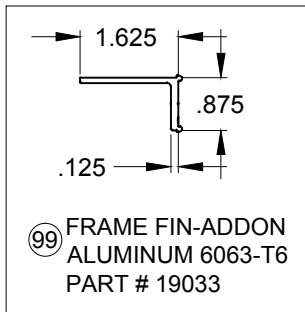
VINYL SLIDING GLASS DOOR		Date	09/20/16
DP & ANCHOR QUANTITY TABLE		Drawn By	J ROSOWSKI
Series	Rev A	Rev A	Date
SGD-5570	Rev B	Rev B	Date
Scale	NTS	Sheet	3 OF 9
DWG No.	5570FIN.1	Rev. No.	

NOTES

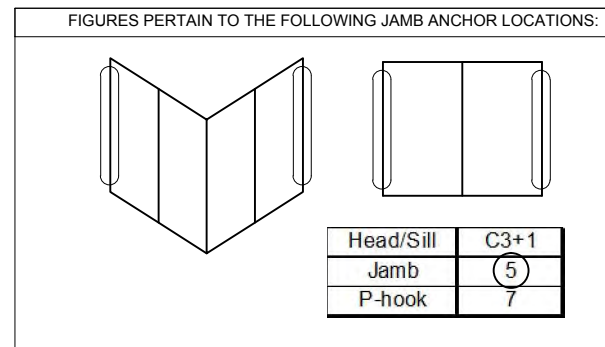
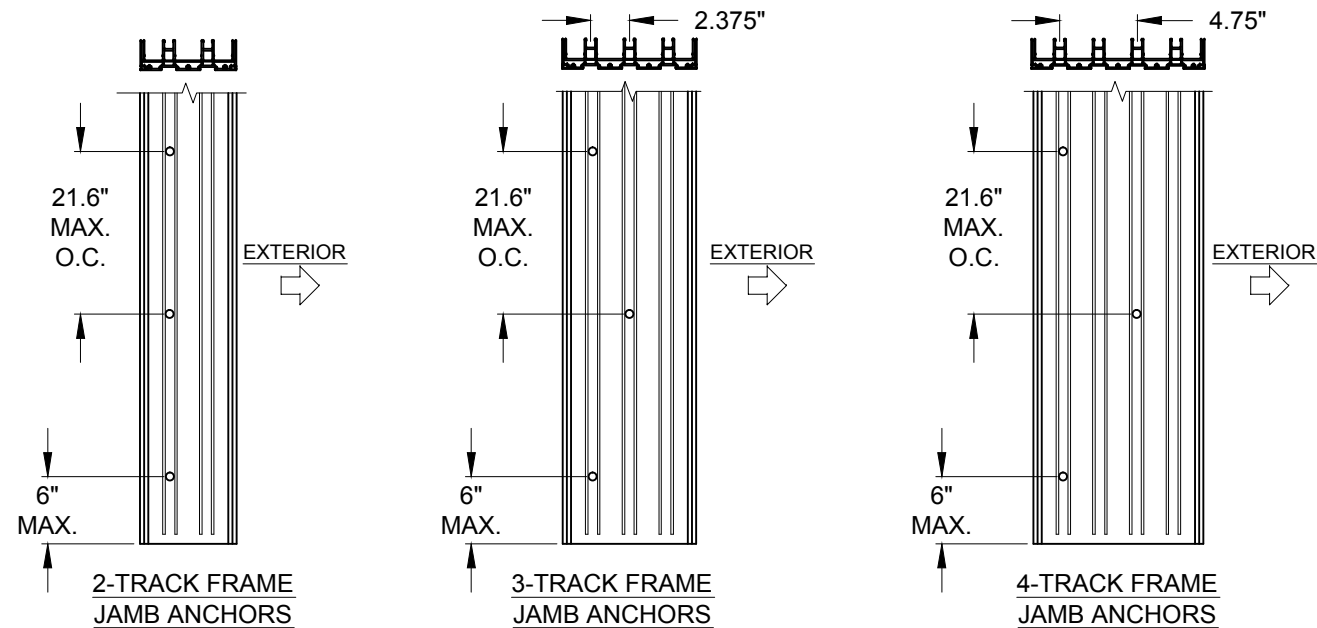
1) DETAILS APPLY TO 2, 3 AND 4 TRACK CONFIGURATIONS.

2) REFER TO TABLE A FOR ANCHOR CONSTRAINTS.

3) SILL ANCHORAGE WITH FIN-ADDON IS UNCHANGED FROM THE BOX FRAME ANCHORAGE.



JAMB ANCHORS LAYOUT, (PARTIAL VIEW):

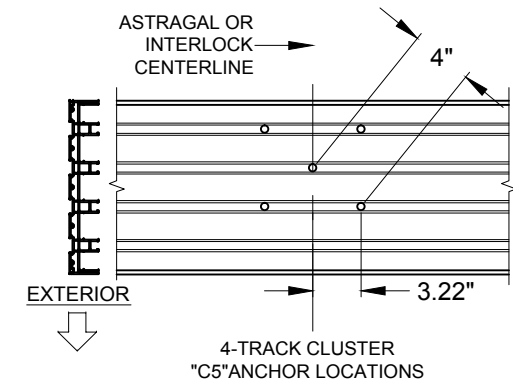
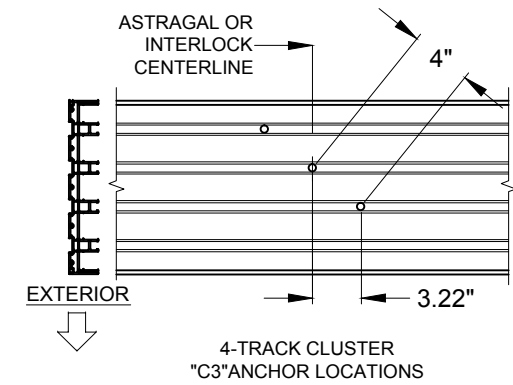
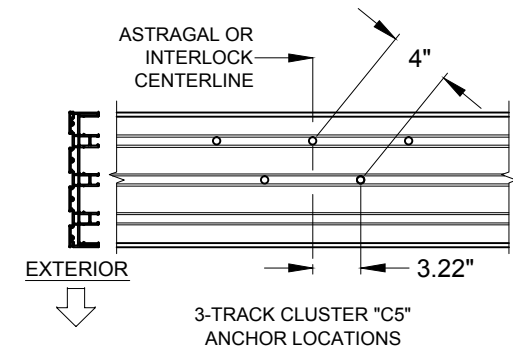
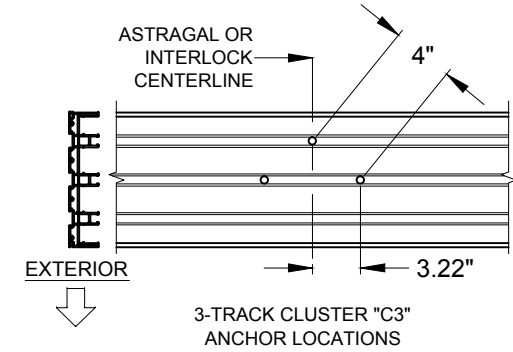
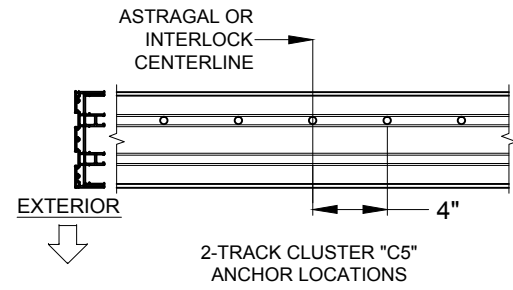
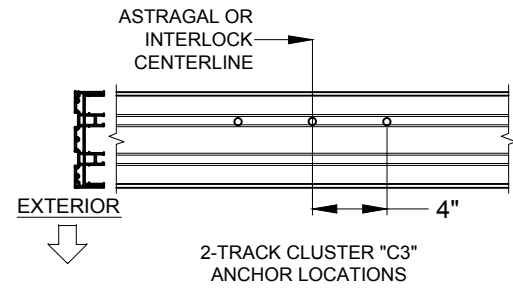


NOTES:
1) STANDARD ANCHOR LOCATIONS SHOWN. FOR 3 AND 4-TRACK JAMBS, ANCHORS IN THE INTERIOR TRACK MAY BE LOCATED IN THE ADJACENT TRACK AS REQUIRED TO MEET MIN. EDGE DISTANCE CONSTRAINTS FROM THE INTERIOR.

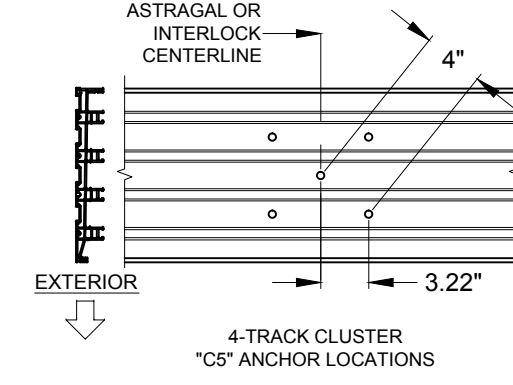
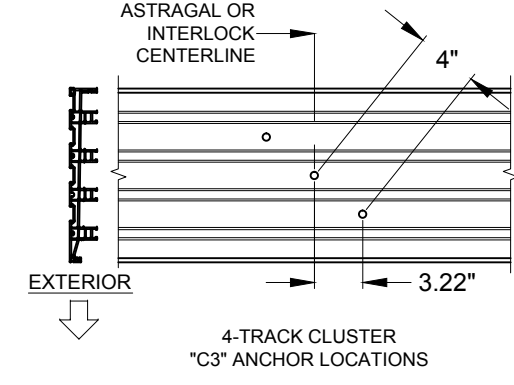
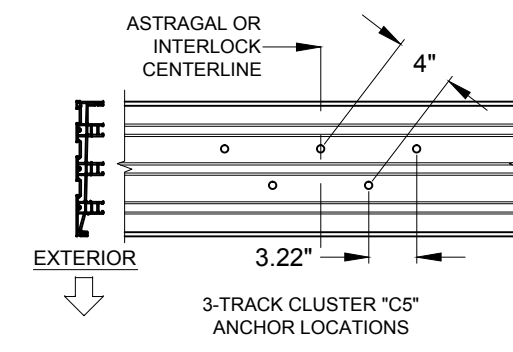
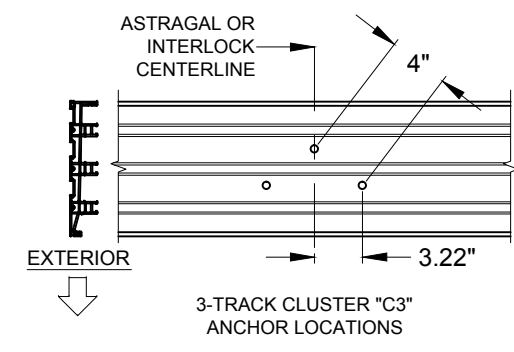
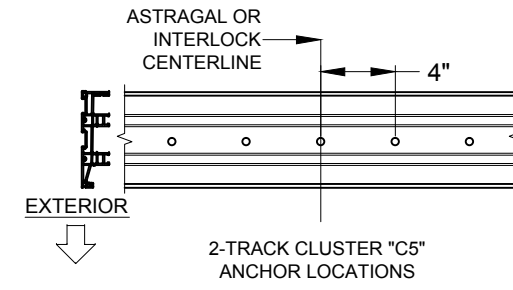
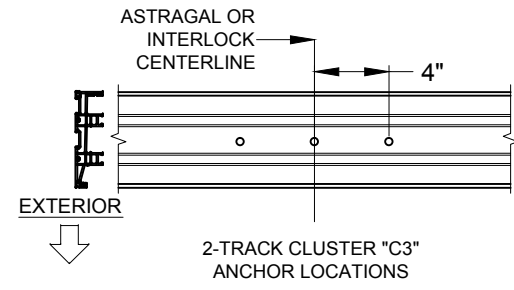


Series	SGD-5570	Scale	NTS	Sheet	4 OF 9	DWG No.	5570FIN.1	Rev. No.	
Title	VINYL SLIDING GLASS DOOR NOA (LM)				Date	09/20/16			
Desc.	ANCHOR LOCATIONS A				Drawn By	J ROSOWSKI			
Rev A		Rev A		Rev A		Rev A		Rev A	
Rev B		Rev B		Rev B		Rev B		Rev B	

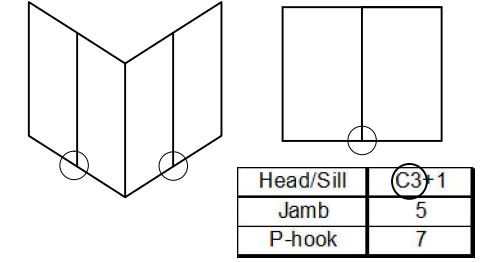
HEAD CLUSTER ANCHORS LAYOUT (USES FRAME FIN-ADDON):



SILL CLUSTER ANCHORS LAYOUT:



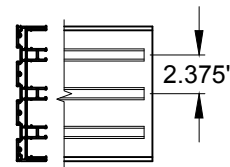
FIGURES PERTAIN TO THE FOLLOWING SILL CLUSTER ANCHOR LOCATIONS:



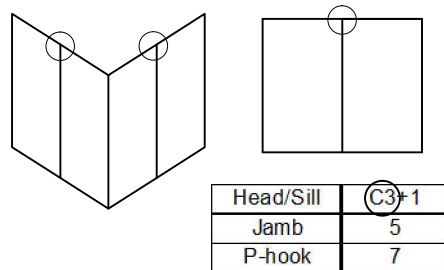
NOTES:

1) ALL DIMENSIONS SHOWN ARE BASED ON MINIMUM ALLOWED.

2) TRACK-TO-TRACK DISTANCE IS 2.375":



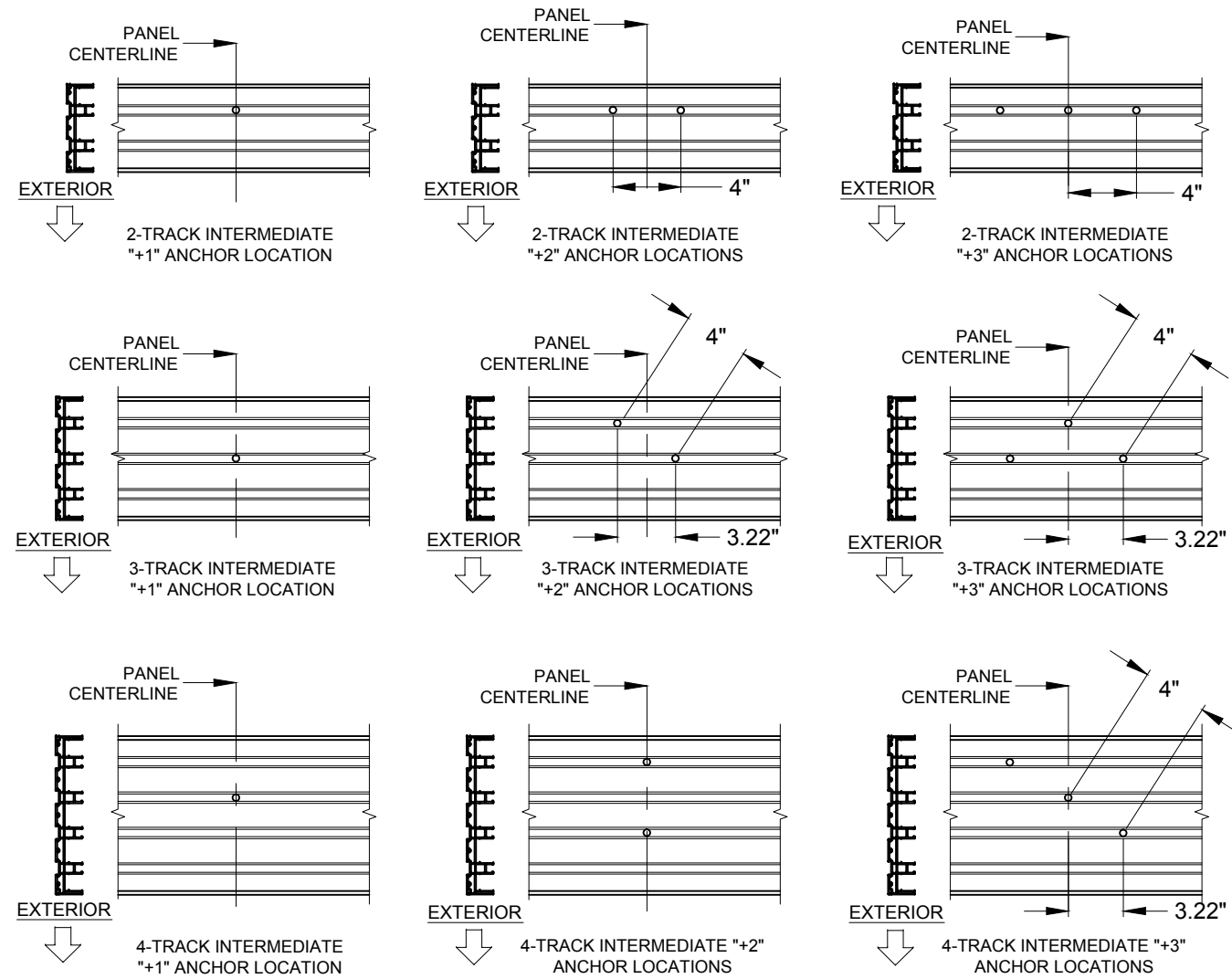
FIGURES PERTAIN TO THE FOLLOWING HEAD CLUSTER ANCHOR LOCATIONS:



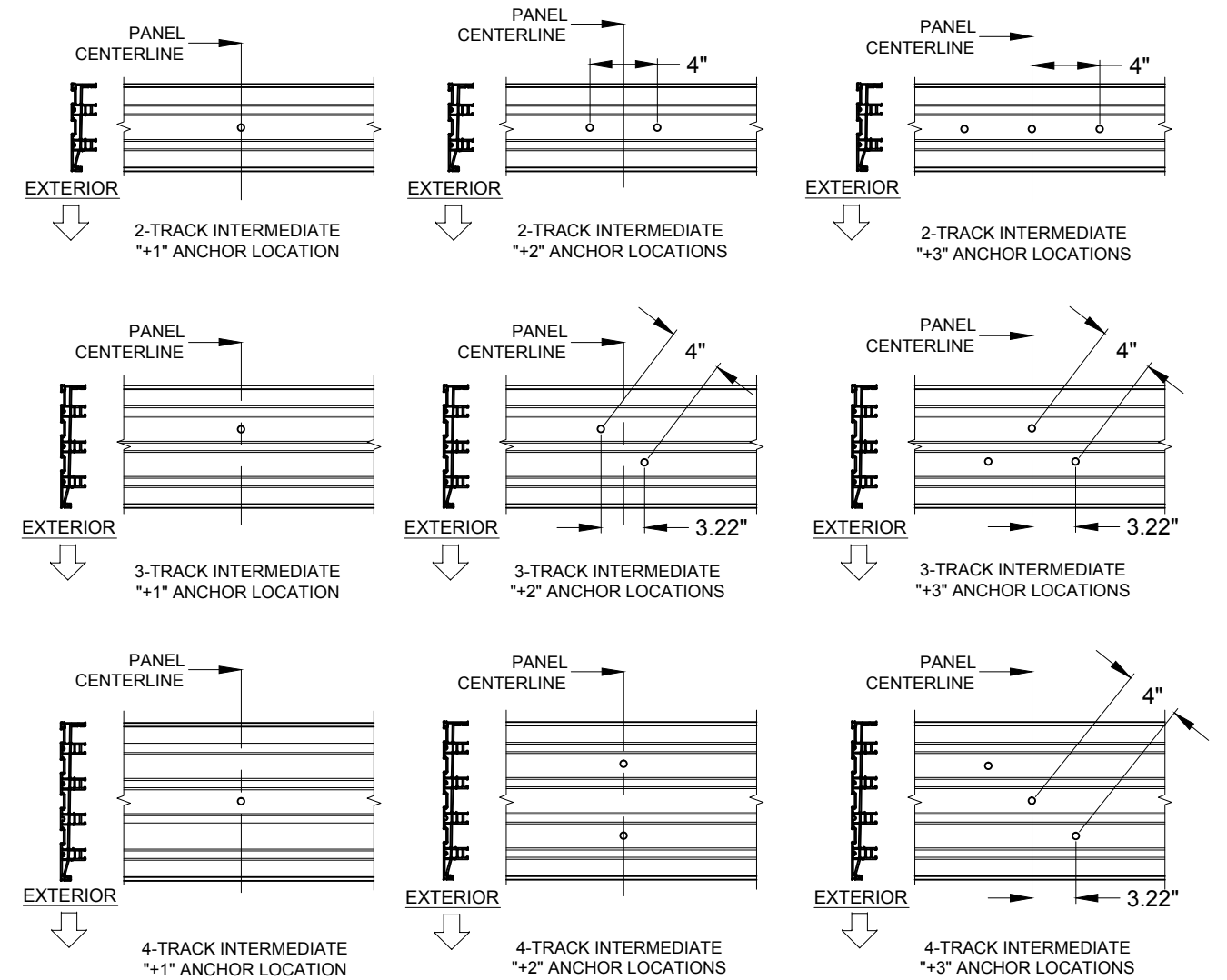
1070 TECHNOLOGY DRIVE
N. VENICE, FL 34275
(941)-480-1600

Series	SGD-5570	Scale	NTS	Sheet	5 OF 9	DWG No.	5570FIN.1	Rev. No.	
Desc.	VINYL SLIDING GLASS DOOR NOA (LM)		Date	09/20/16		Drawn By		J ROSOWSKI	
Rev 1	ANCHOR LOCATIONS B		Rev 1	Date		Rev 2		Date	

HEAD "+" INTERMEDIATE ANCHORS LAYOUT (USES FRAME FIN-ADDON):



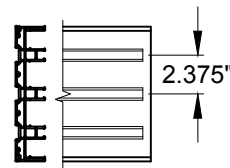
SILL "+" INTERMEDIATE ANCHORS LAYOUT:



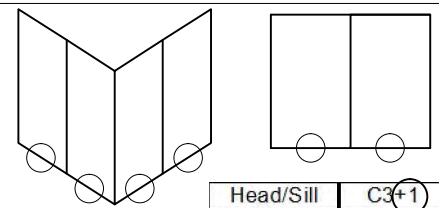
NOTES:

1) ALL DIMENSIONS SHOWN ARE BASED ON MINIMUM ALLOWED.

2) TRACK-TO-TRACK DISTANCE IS 2.375":

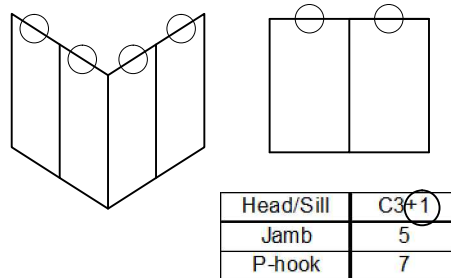


FIGURES PERTAIN TO THE FOLLOWING SILL INTERMEDIATE ANCHOR LOCATIONS:



Head/Sill	C3+1
Jamb	5
P-hook	7

FIGURES PERTAIN TO THE FOLLOWING HEAD INTERMEDIATE ANCHOR LOCATIONS:

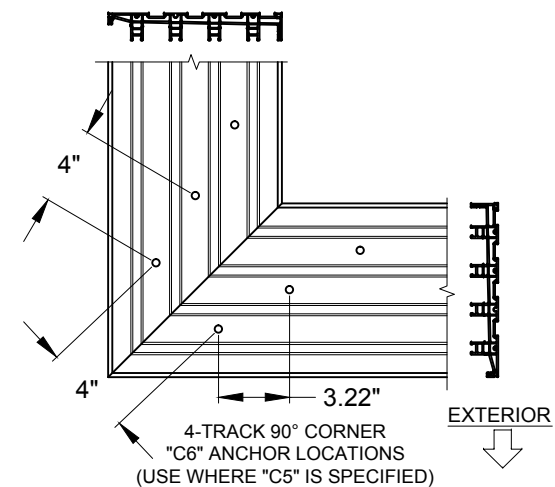
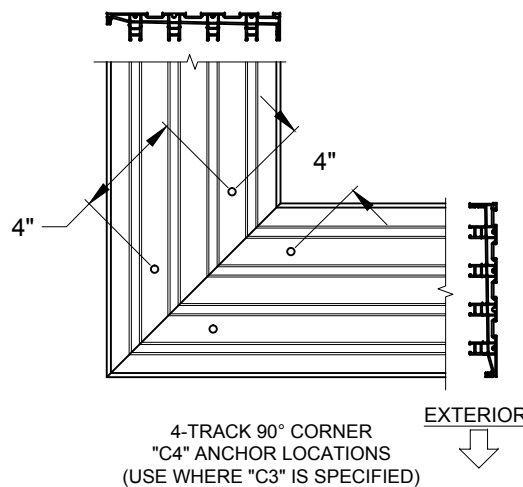
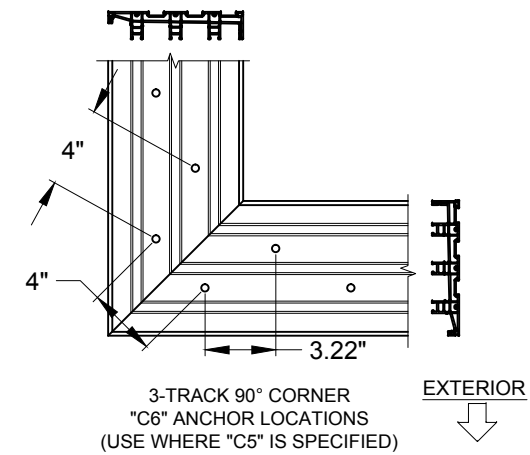
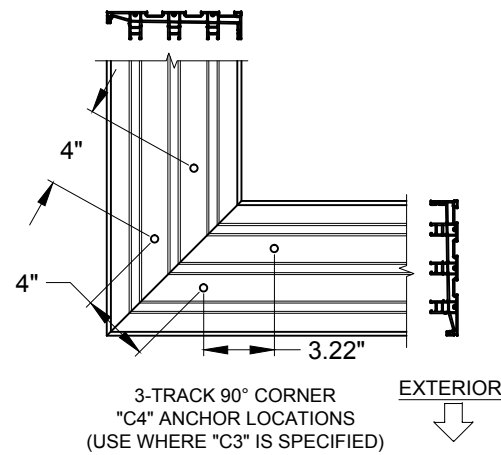
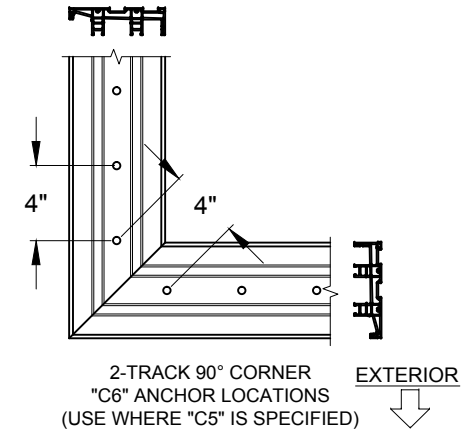
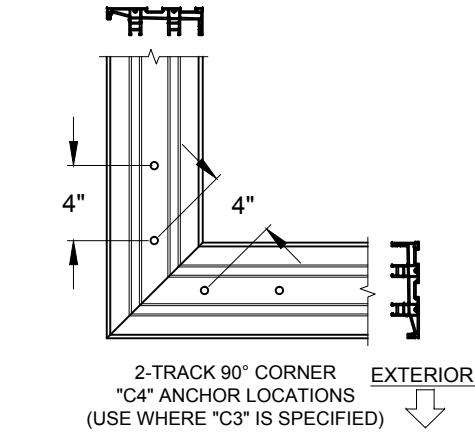
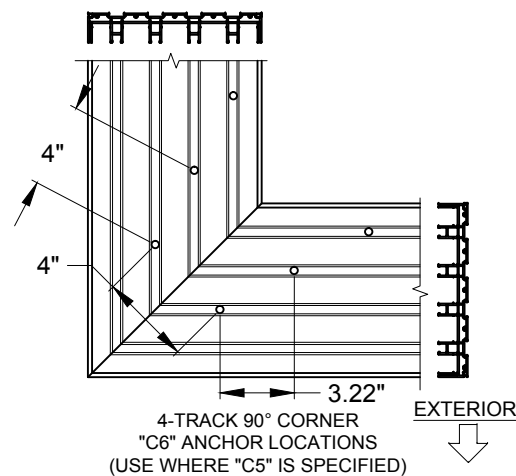
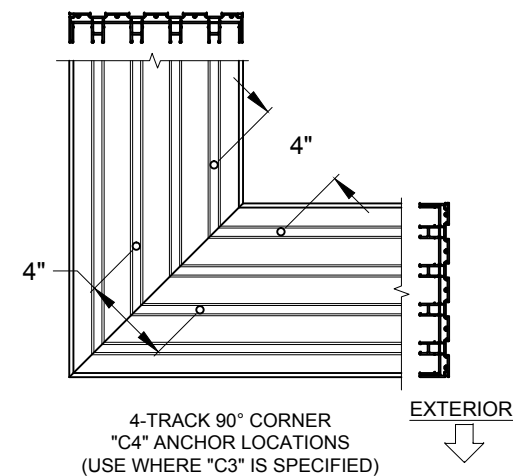
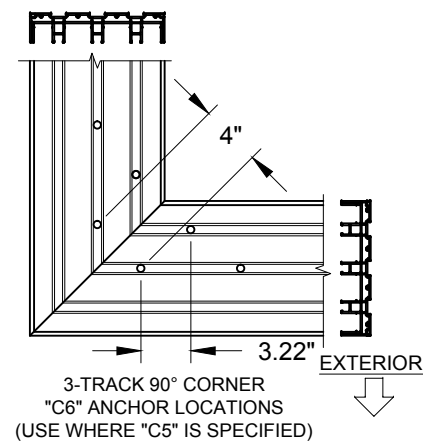
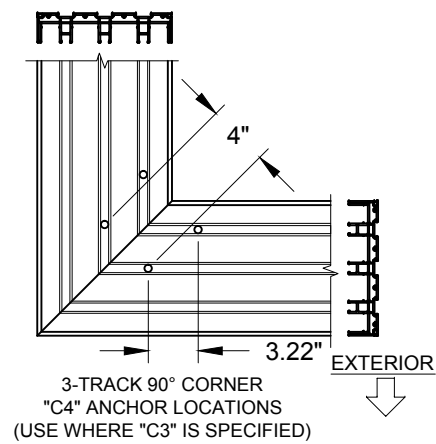
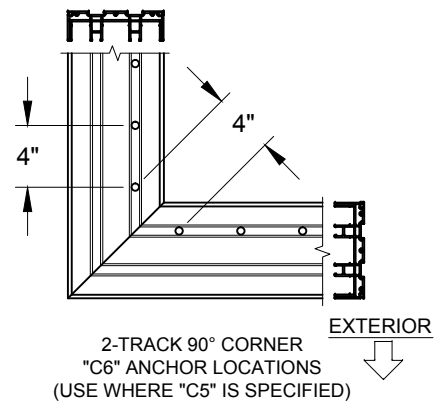
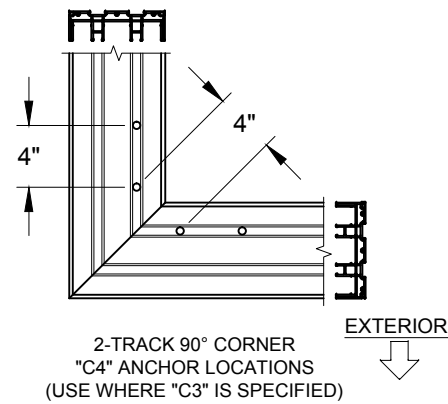


PGT
 1070 TECHNOLOGY DRIVE
 N. VENICE, FL 34275
 (941)-480-1600

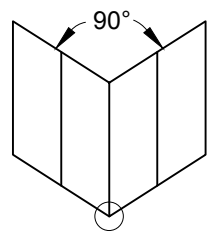
Series	SGD-5570	Scale	NTS	Sheet	6 OF 9	DWG No.	5570FIN.1	Rev. No.	
Title	VINYL SLIDING GLASS DOOR		Date	09/20/16					
Desc.	ANCHOR LOCATIONS C		Drawn By	J ROSOWSKI					
Rev 1	Date	Rev 2	Date						

HEAD 90° CORNER CLUSTER ANCHORS LAYOUT (USES FRAME FIN-ADDON):

SILL 90° CORNER CLUSTER ANCHORS LAYOUT:

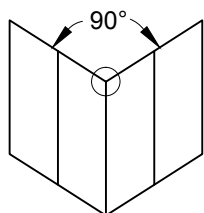


FIGURES PERTAIN TO THE FOLLOWING 90° CORNER SILL ANCHOR LOCATIONS:



Head/Sill	C3#1
Jamb	5
P-hook	7

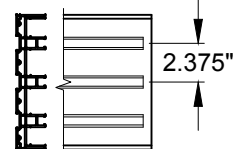
FIGURES PERTAIN TO THE FOLLOWING 90° CORNER HEAD ANCHOR LOCATIONS:



Head/Sill	C3#1
Jamb	5
P-hook	7

NOTES:

- 1) ALL DIMENSIONS SHOWN ARE BASED ON MINIMUM ALLOWED.
- 2) DETAILS DEPICT ANCHOR QUANTITY AND SPACING, AND WOULD BE SIMILAR FOR OUTSIDE (SHOWN) AND INSIDE CORNER CONFIGURATIONS.
- 3) TRACK-TO-TRACK DISTANCE IS 2.375":

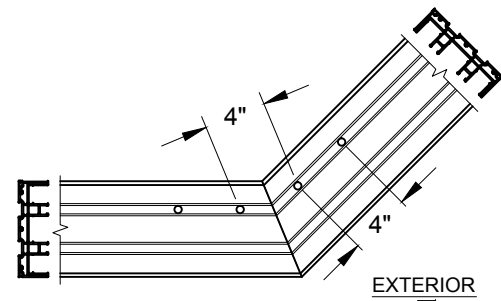


PGT

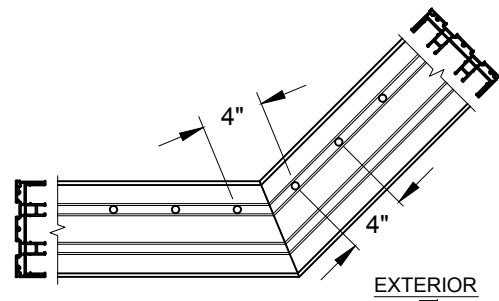
1070 TECHNOLOGY DRIVE
N. VENICE, FL 34275
(941)-480-1600

Series	SGD-5570	Scale	NTS	Sheet	7 OF 9	DWG No.	5570FIN.1	Rev. No.	
Title	VINYL SLIDING GLASS DOOR		Date	09/20/16					
Desc.	ANCHOR LOCATIONS D		Drawn By	J ROSOWSKI					
Rev 1	Date	Rev 2	Date						

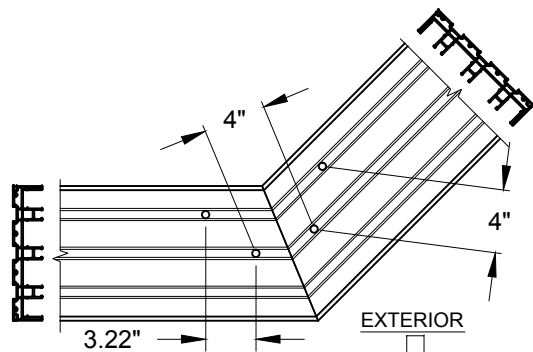
HEAD 135° CORNER CLUSTER ANCHORS LAYOUT (USES FRAME FIN-ADDON):



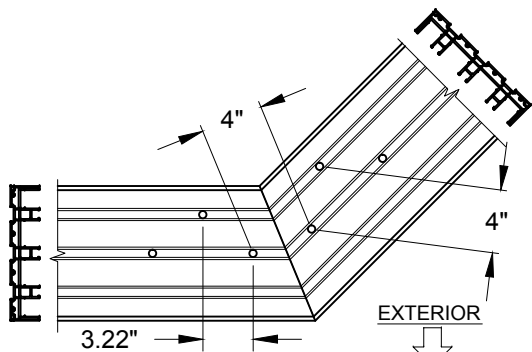
2-TRACK 135° CORNER
"C4" ANCHOR LOCATIONS
(USE WHERE "C3" IS SPECIFIED)



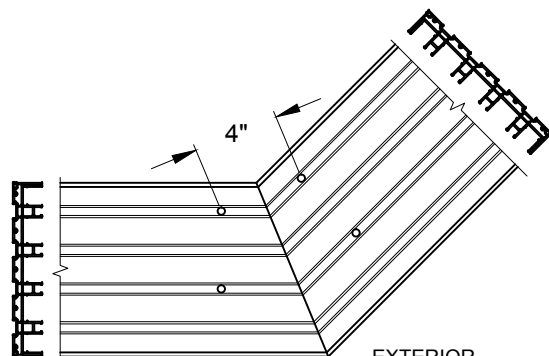
2-TRACK 135° CORNER
"C6" ANCHOR LOCATIONS
(USE WHERE "C5" IS SPECIFIED)



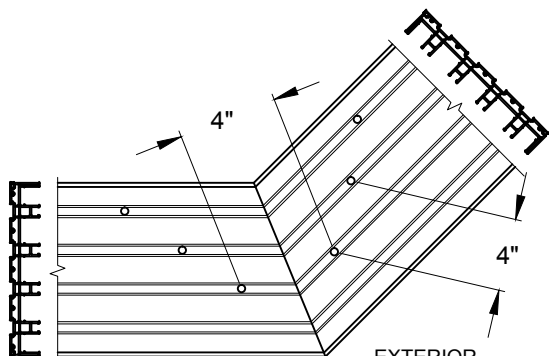
3-TRACK 135° CORNER
"C4" ANCHOR LOCATIONS
(USE WHERE "C3" IS SPECIFIED)



3-TRACK 135° CORNER
"C6" ANCHOR LOCATIONS
(USE WHERE "C5" IS SPECIFIED)

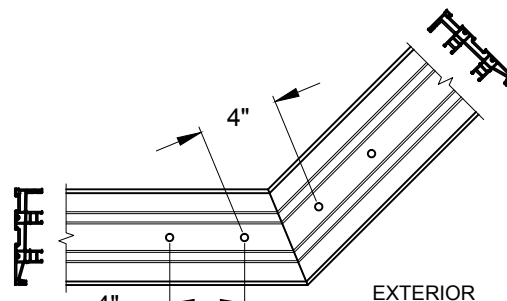


4-TRACK 135° CORNER
"C4" ANCHOR LOCATIONS
(USE WHERE "C3" IS SPECIFIED)

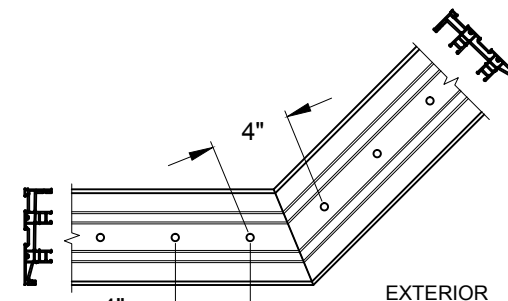


4-TRACK 135° CORNER
"C6" ANCHOR LOCATIONS
(USE WHERE "C5" IS SPECIFIED)

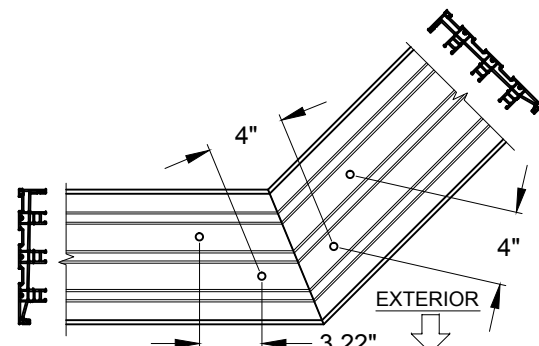
SILL 135° CORNER CLUSTER ANCHORS LAYOUT:



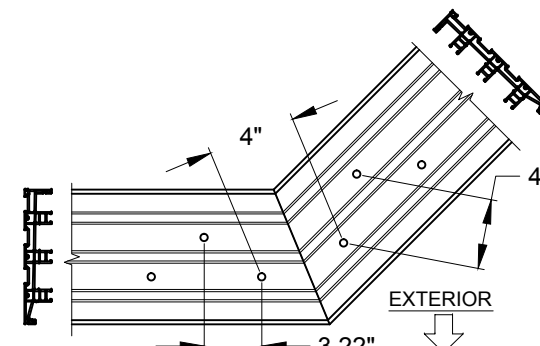
2-TRACK 135° CORNER
"C4" ANCHOR LOCATIONS
(USE WHERE "C3" IS SPECIFIED)



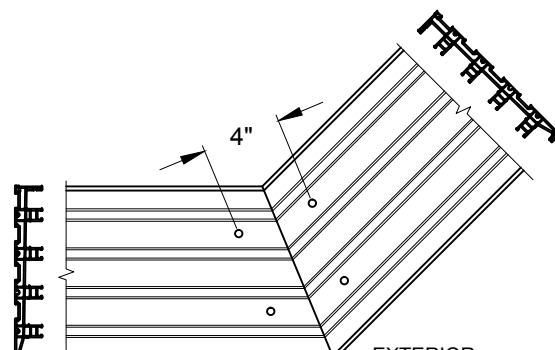
2-TRACK 135° CORNER
"C6" ANCHOR LOCATIONS
(USE WHERE "C5" IS SPECIFIED)



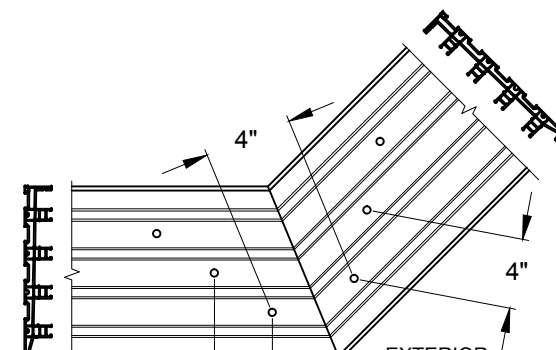
3-TRACK 135° CORNER
"C4" ANCHOR LOCATIONS
(USE WHERE "C3" IS SPECIFIED)



3-TRACK 135° CORNER
"C6" ANCHOR LOCATIONS
(USE WHERE "C5" IS SPECIFIED)

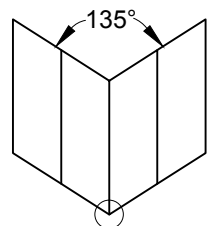


4-TRACK 135° CORNER
"C4" ANCHOR LOCATIONS
(USE WHERE "C3" IS SPECIFIED)



4-TRACK 135° CORNER
"C6" ANCHOR LOCATIONS
(USE WHERE "C5" IS SPECIFIED)

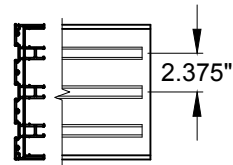
FIGURES PERTAIN TO THE FOLLOWING 135° CORNER SILL ANCHOR LOCATIONS:



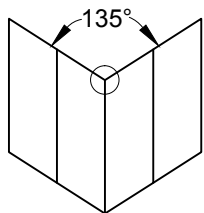
Head/Sill	C3-1
Jamb	5
P-hook	7

NOTES:

- 1) ALL DIMENSIONS SHOWN ARE BASED ON MINIMUM ALLOWED.
- 2) DETAILS DEPICT ANCHOR QUANTITY AND SPACING, AND WOULD BE SIMILAR FOR OUTSIDE (SHOWN) AND INSIDE CORNER CONFIGURATIONS.
- 3) TRACK-TO-TRACK DISTANCE IS 2.375":



FIGURES PERTAIN TO THE FOLLOWING 135° CORNER HEAD ANCHOR LOCATIONS:

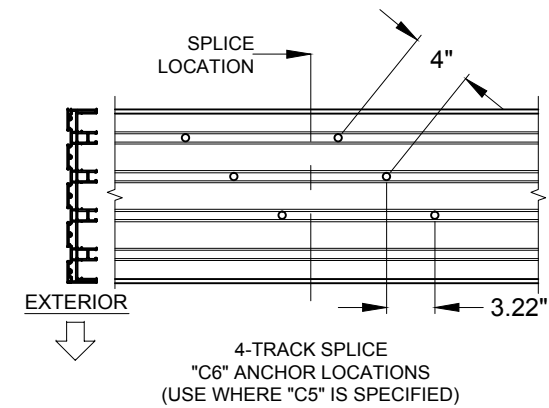
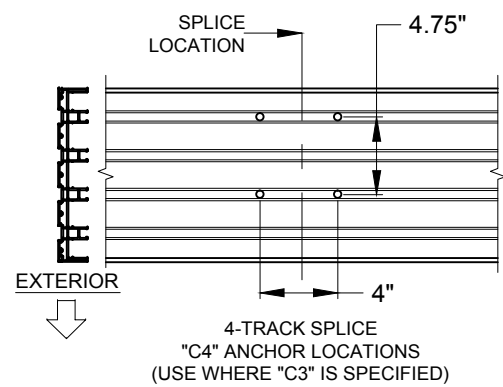
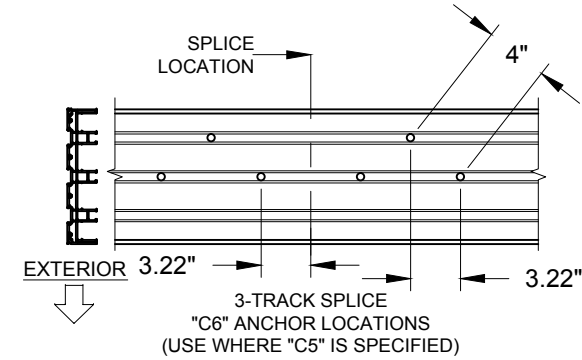
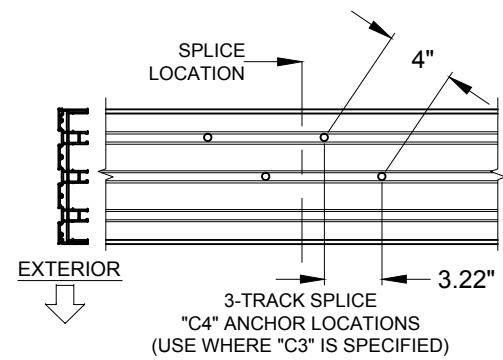
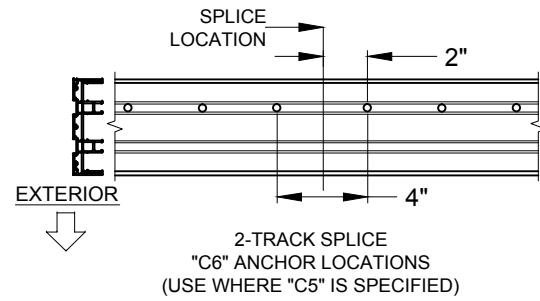
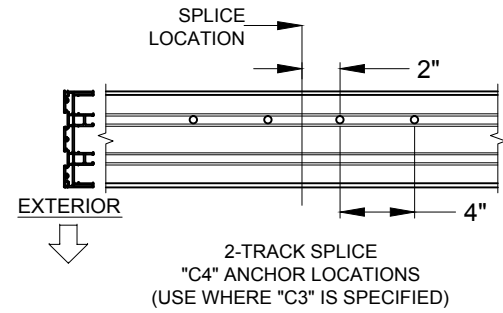


Head/Sill	C3-1
Jamb	5
P-hook	7

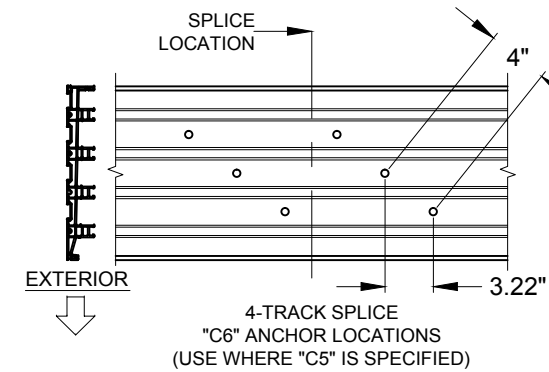
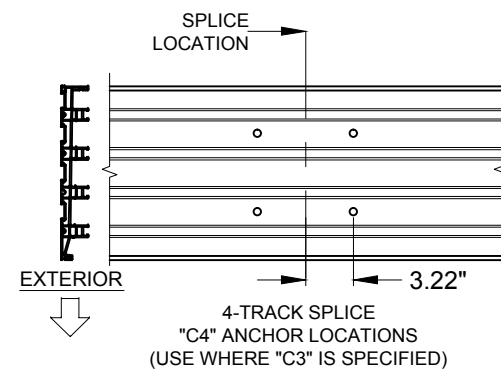
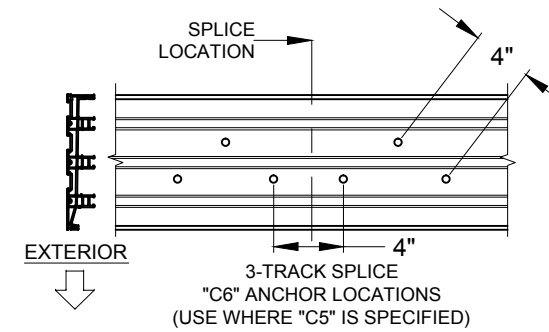
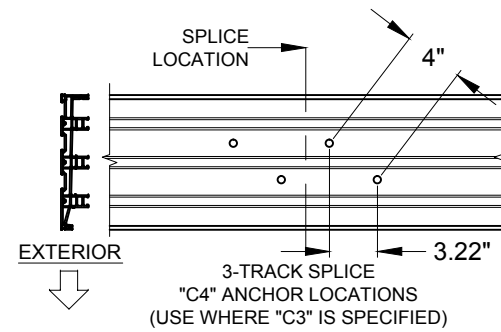
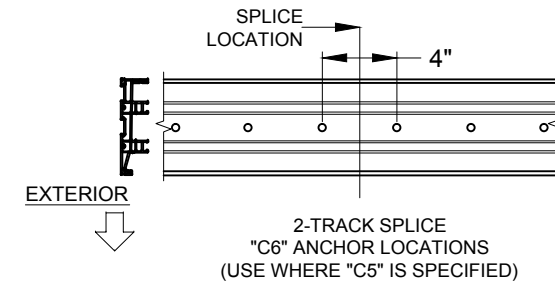
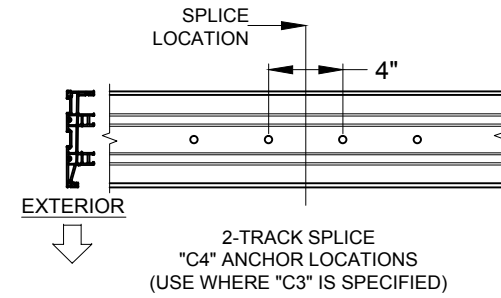
PGT
1070 TECHNOLOGY DRIVE
N. VENICE, FL 34275
(941)-480-1600

Series	SGD-5570	Scale	NTS	Sheet	8 OF 9	DWG No.	5570FIN.1	Rev. No.	
Desc.	VINYL SLIDING GLASS DOOR		Date	09/20/16					
Rev 1	ANCHOR LOCATIONS E		Drawn By	J ROSOWSKI					
Rev 2			Rev 1 Date						

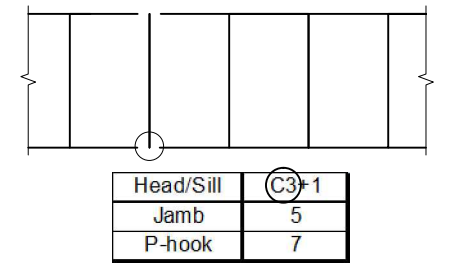
HEAD SPLICE ANCHORS LAYOUT @ INTERLOCK OR ASTRAGAL (USES FRAME FIN-ADDON):



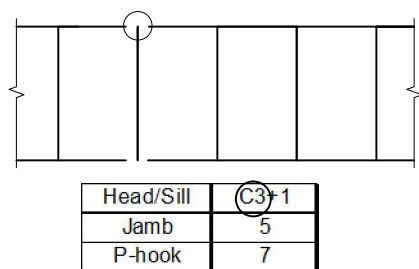
SILL SPLICE ANCHORS LAYOUT @ INTERLOCK OR ASTRAGAL:



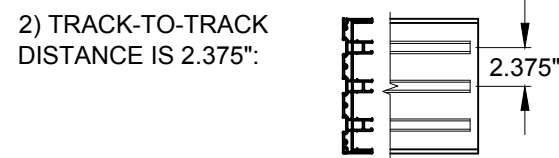
FIGURES PERTAIN TO THE FOLLOWING SPLICED SILL ANCHOR LOCATIONS:



FIGURES PERTAIN TO THE FOLLOWING SPLICED HEAD ANCHOR LOCATIONS:



NOTES:
1) ALL DIMENSIONS SHOWN ARE BASED ON MINIMUM ALLOWED.



1070 TECHNOLOGY DRIVE
N. VENICE, FL 34275
(941)-480-1600

Series	Rev 2	Rev 1	Desc.	Title	Date
SGD-5570	Scale	NTS	Sheet	9 OF 9	DWG No. 5570FIN.1
VINYL SLIDING GLASS DOOR				Date 09/20/16	
ANCHOR LOCATIONS F				Drawn By	J ROSOWSKI
				Rev 1 Date	
				Rev 2 Date	