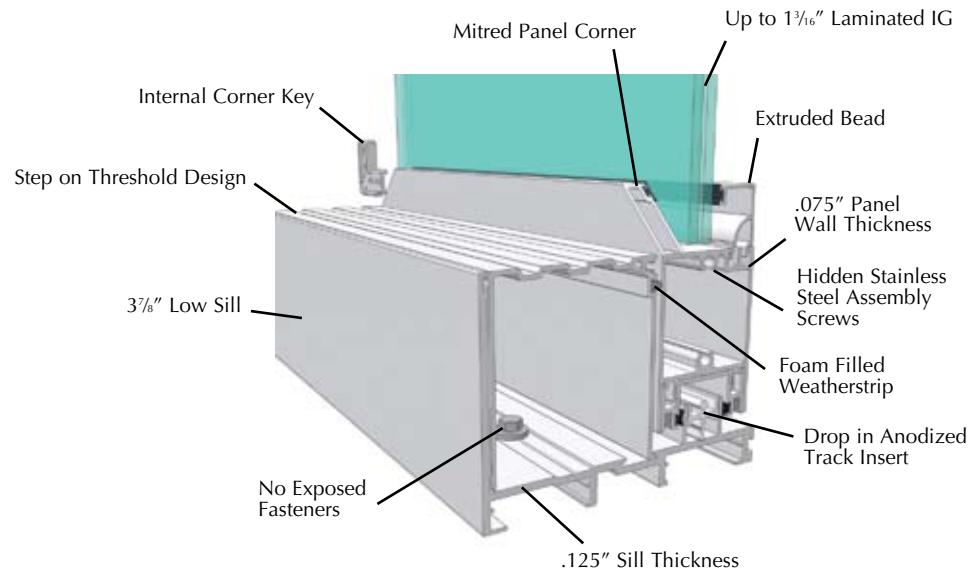
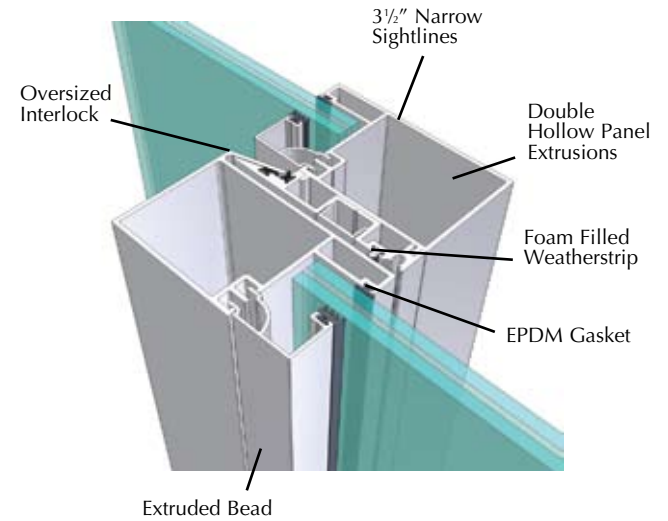


SGD3030 SILL



SGD3030 INTERLOCK



FEATURES & BENEFITS

STAINLESS STEEL TANDEM ROLLER WITH HIGH PERFORMANCE DOUBLE SEALED BEARINGS

Resists corrosion in coastal environments because the large diameter roller with double sealing extends bearing life. Stainless steel provides smooth, stable and quiet operation.

3⁷/₁₆" THRESHOLD WITH 18 PSF WATER RESISTANCE

Superior water performance with the lowest threshold in the commercial product industry. Durable sill with treading is designed to be stepped on versus stepped over.

NARROW SIGHTLINES

Increases visibility without compromising structural integrity.

UP TO 1³/₁₆" LAMINATED INSULATING GLASS

Expands design and energy options.

3⁴/₄" NOMINAL WALL THICKNESS

Provides strength and ease of installation.

DOUBLE RAISED MUNTIN OPTIONS

Aesthetic option. Double hollow panel extrusions provide strength and extended design capabilities. Customize product to meet historical or building requirements. Available with grids between glass.

DROP-IN ANODIZED TRACK INSERT

Covered fasteners and installation screws. Track can be easily replaced/serviced if damaged.

EXTERIOR INTEGRAL HANDLE OPTIONS

Expands design options. Opening/closing door is smooth and effortless.

3000 SERIES

PRODUCT SPECIFICATIONS - SGD3030

TEST TYPE	FRAME TYPE & MAXIMUM SIZE	FRAME DEPTH	POSITIVE DESIGN PRESSURE	NEGATIVE DESIGN PRESSURE	WATER RESISTANCE	AIR INFILTRATION	GLAZING	TESTS COMPLETED
LARGE MISSILE	OX or XO: 96" x 120" or 120" x 108" OXO: 145 ¹ / ₁₆ " x 120" OXXO: 190 ⁷ / ₁₆ " x 120"	5 ⁷ / ₁₆ "	+120	-120	18.0 psf	OXXO: 0.03 @ 1.57 XO: 0.02 @ 1.57	<ul style="list-style-type: none"> • 3¹/₁₆" SGP Laminated (Heat Strengthened/Heat Strengthened) • Up to 1³/₁₆" Laminated Insulating Glass 	<ul style="list-style-type: none"> • Miami-Dade NOA: 07-0831.09 • Forced Entry Resistance: ASTM F 842-97 • Florida Product Approval: FL-251
SMALL MISSILE	OX or XO: 96" x 120" or 120" x 108" OXO: 145 ¹ / ₁₆ " x 120" OXXO: 190 ⁷ / ₁₆ " x 120"	5 ⁷ / ₁₆ "	+165	-165	24.75 psf	OXXO: 0.05 @ 1.57 XO: 0.06 @ 1.57	<ul style="list-style-type: none"> • 3¹/₁₆" SGP Laminated (Heat Strengthened/Heat Strengthened) • Up to 1³/₁₆" Laminated Insulating Glass 	<ul style="list-style-type: none"> • Miami-Dade NOA: 07-0905.04 • Forced Entry Resistance: ASTM F 842-97 • Florida Product Approval: FL-251