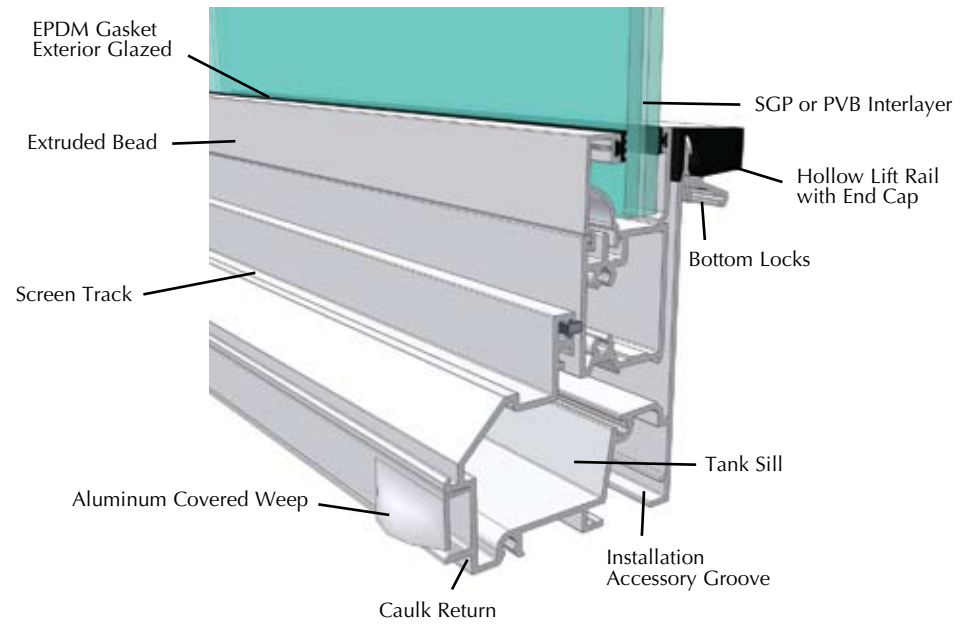
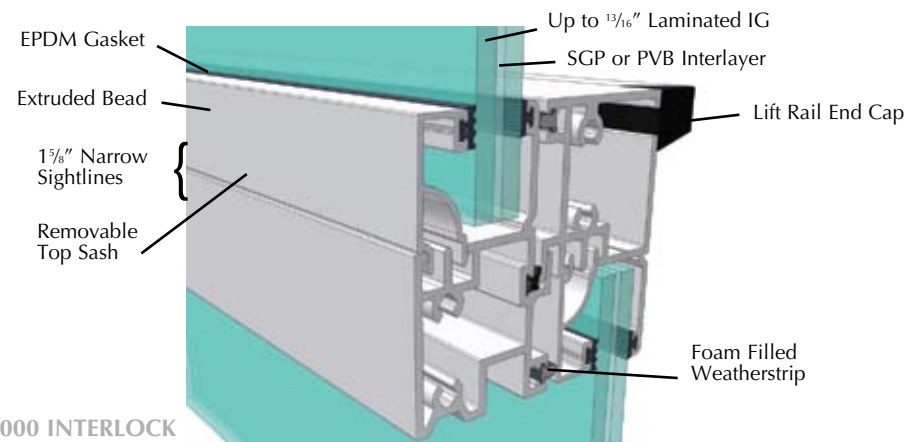


SH3000 SILL



SINGLE HUNG WINDOWS



SH3000 INTERLOCK

FEATURES & BENEFITS

MALE & FEMALE JAMBS OPTION
Eliminates the need for mulls and clips, units can stack next to each other. Reduces installation costs because there are fewer components.

TANK SILL DESIGN
Strengthens water performance. Improves aesthetics with attractive design and concealed weatherstrip.

HOLLOW LIFT RAIL
Substantial extruded aluminum rail versus flimsy flange. Black plastic lift rail caps eliminate exposed aluminum and provide a finished look.

REMOVABLE TOP SASH
Improves serviceability. Top sash can be removed for service or maintenance.

HIDDEN WEEP HOLES
Extruded aluminum is color matched to product to blend into frame. There is no visible plastic on the exterior that will fade and crack.

CLASS 5 SPIRAL BALANCES
Increases operating force. Balance carries 70% of sash weight. Easily adjustable for service.

UP TO 1³/₁₆" LAMINATED INSULATING GLASS
Expands design and energy options.

3000 SERIES

PRODUCT SPECIFICATIONS - SH3000

TEST TYPE	FRAME TYPE & MAXIMUM SIZE	FRAME DEPTH	POSITIVE DESIGN PRESSURE	NEGATIVE DESIGN PRESSURE	WATER RESISTANCE	AIR INFILTRATION	GLAZING	TESTS COMPLETED
LARGE MISSILE	FLANGE: 57 ¹ / ₂ " x 92 ¹ / ₂ " EQUAL LEG: 56" x 91"	3 ¹ / ₄ "	+110	-120	16.5 psf	0.02 @ 1.57 0.21 @ 6.24	<ul style="list-style-type: none"> • 7¹/₁₆" SGP Laminated (Heat Strengthened/Heat Strengthened) • Up to 1³/₁₆" Laminated Insulating Glass 	<ul style="list-style-type: none"> • Miami-Dade NOA: 07-0905.02 • Forced Entry Resistance: ASTM F 588-97 • Florida Product Approval: FL-239
SMALL MISSILE	FLANGE: 57 ¹ / ₂ " x 92 ¹ / ₂ " EQUAL LEG: 56" x 91"	3 ¹ / ₄ "	+110	-165	16.5 psf	0.02 @ 1.57 0.20 @ 6.24	<ul style="list-style-type: none"> • 7¹/₁₆" PVB Laminated (Tempered/Tempered) • Up to 1³/₁₆" Laminated Insulating Glass 	<ul style="list-style-type: none"> • Miami-Dade NOA: 07-0905.03 • Forced Entry Resistance: ASTM F 588-97 • Florida Product Approval: FL-239