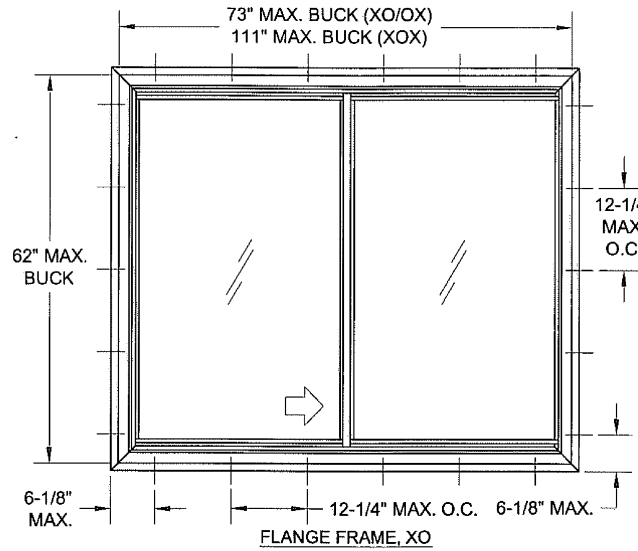


GENERAL NOTES :

- 1) THE ANCHORAGE METHODS SHOWN HAVE BEEN DESIGNED TO COMPLY WITH THE FLORIDA BUILDING CODE FOR THE DESIGN PRESSURES LISTED.
- 2) WOOD BUCKS DEPICTED AS 1X ARE LESS THAN 1-1/2" THICK. 1X WOOD BUCKS ARE OPTIONAL IF UNIT IS INSTALLED DIRECTLY TO SOLID CONCRETE. WOOD BUCKS DEPICTED AS 2X ARE 1-1/2" THICK OR GREATER. ATTACHMENT METHOD OF WOOD BUCKS SHALL BE DONE BY OTHERS.
- 3) SEE TABLES FOR MINIMUM EDGE DISTANCE FROM CENTER OF ANCHOR TO SUBSTRATE EDGE (EXCLUDING FINISH OR STUCCO).
- 4) SHIM EACH ANCHOR LOCATION WHERE THE PRODUCT IS NOT FLUSH TO THE SUBSTRATE, USING SHIMS CAPABLE OF TRANSFERRING APPLIED LOADS.
- 5) ANCHORS SHALL BE COATED OR CORROSION RESISTANT AS APPROPRIATE FOR SUBSTRATE MATERIAL. DISSIMILAR MATERIALS SHALL BE PROTECTED AS REQUIRED TO PREVENT REACTIONS. ALUMINUM SHALL BE PROTECTED FROM DISSIMILAR MATERIALS AS SPECIFIED IN FLORIDA BUILDING CODE CHAPTER 20.
- 6) ADHESIVE SEALANT SHALL BE USED BETWEEN SUBSTRATE AND FLANGE OR FIN. OVERALL SEALING/FLASHING STRATEGY FOR WATER RESISTANCE OF INSTALLATION SHALL BE DONE BY OTHERS.
- 7) MATERIALS USED FOR ANCHOR EVALUATIONS WERE SOUTHERN PINE, 2.7 KSI CONCRETE AND CONCRETE MASONRY UNITS COMPLYING WITH ASTM C-90. GLAZING COMPLIES WITH ASTM E1300-04.
- 8) THE 1/3 STRESS INCREASE WAS NOT USED IN THIS ANCHOR EVALUATION. THE 1.6 LOAD DURATION FACTOR WAS USED FOR THE EVALUATION OF WOOD SCREWS.
- 9) IF THE EXACT PRODUCT SIZE IS NOT LISTED IN THE TABLES, ALWAYS ROUND UP TO THE NEXT LARGER VALUE.

ANCHOR LOCATIONS & SPACING

IMPACT RESISTANT

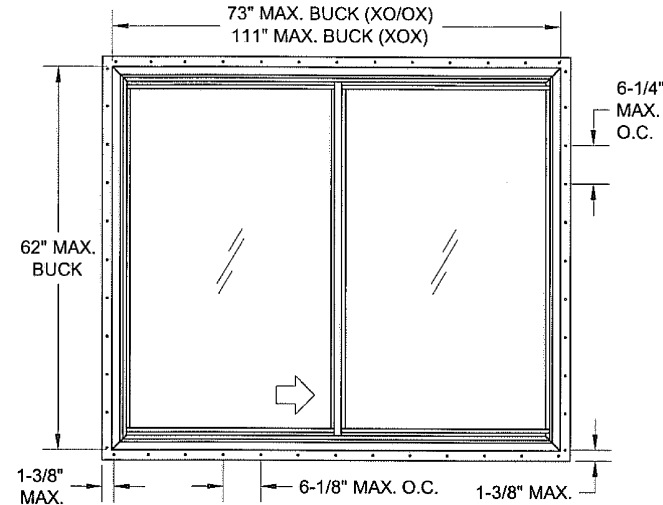


FLANGE FRAME, XO

TABLE 2: ANCHORS FOR FLANGE WINDOWS

| Anchor | Substrate | Min. Edge Distance | Min. Embedment |
|--|-------------------------------|--------------------|----------------|
| #10 Sheet Metal Screw, G5 Steel or 410 Stainless Steel | P.T. Southern Pine (SG = .55) | 1/2" | 1-3/8" |
| | Aluminum, 6063-T5 min. | 3/8" | 1/8" |
| | Steel Stud, Gr. 33 min. | 3/8" | 0.0346 (20 ga) |
| | A36 Steel | 3/8" | 1/8" |
| 3/16" Steel Ultracon | P.T. Southern Pine (SG = .55) | 1/2" | 1-3/8" |
| | Concrete (min. 2.7 ksi) | 1" | 1" |
| | Ungrouted CMU, (ASTM C-90) | 1" | 1-1/4" |

NOTE: FOR ALL METAL SUBSTRATES, SCREW EMBEDMENT SHALL BE MIN. 3 THREADS BEYOND INSIDE FACE OF MATERIAL.



INTEGRAL FIN FRAME, XO

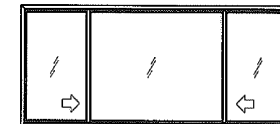
TABLE 3: ANCHORS FOR FIN WINDOWS

| Anchor | Substrate | Min. Edge Distance | Min. Embedment |
|-----------------------------|-------------------------------|--------------------|----------------|
| 2-1/2" x .113" Box Nail | P.T. Southern Pine (SG = .55) | 5/16" | 2-7/16" |
| 2-1/2" x .131" Common Nail | P.T. Southern Pine (SG = .55) | 3/8" | 2-7/16" |
| 2-1/2" x .145" Roofing Nail | P.T. Southern Pine (SG = .55) | 3/8" | 2-7/16" |
| #10 Steel SMS | P.T. Southern Pine (SG = .55) | 1/2" | 1-3/8" |
| | Aluminum, 6063-T5 min. | 3/8" | 1/8" |
| | Steel Stud, Gr. 33 min. | 3/8" | 0.0346 (20 ga) |
| | A36 Steel | 3/8" | 1/8" |

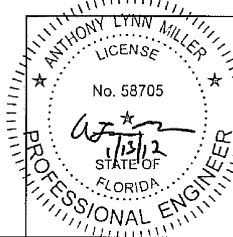
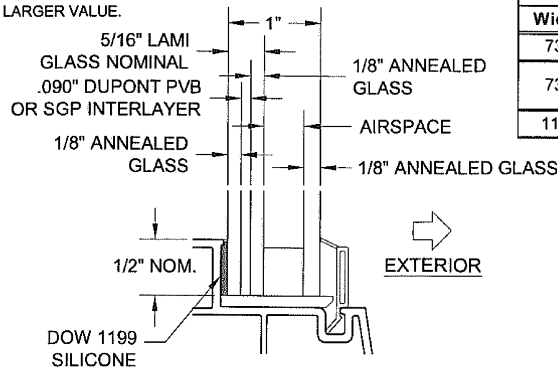
NOTE: FOR ALL METAL SUBSTRATES, SCREW EMBEDMENT SHALL BE MIN. 3 THREADS BEYOND INSIDE FACE OF MATERIAL.

TABLE 1: DESIGN PRESSURE

| Window Buck Size | | Frame Type | Config. | Design Pressure | | Certification Numbers |
|------------------|--------|------------|---------|-----------------|---------|-----------------------|
| Width | Height | | | (+) psf | (-) psf | |
| 73" | 54" | Fin/Flange | XO/OX | 60 | 70 | 190-269, 798 |
| 73" | 62" | Fin/Flange | XO/OX | 60 | 65 | 190-233, 433, 702 |
| 111" | 54" | Fin/Flange | XOX | 60 | 65 | 190-262, 769 |

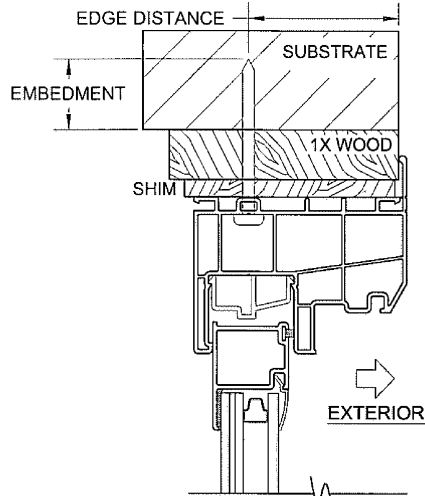


XO SHOWN, SPACING ALSO APPLIES TO OX AND XOX

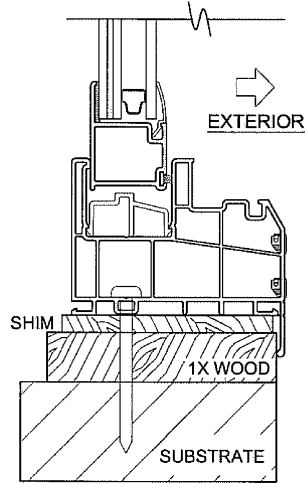


PGI
1070 TECHNOLOGY DRIVE
NOKOMIS, FL 34275
FL CERT. OF AUTH.: 29296
A. Lynn Miller, P.E.
P.E. #58705

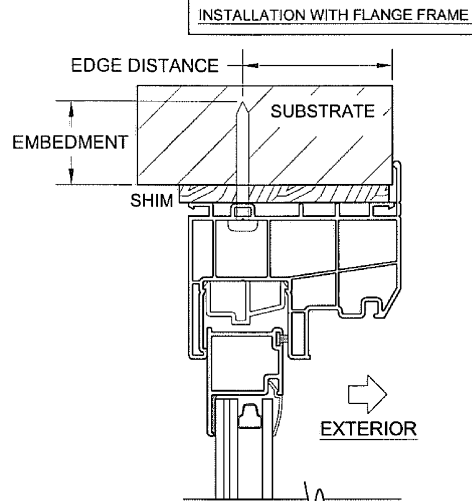
| | | | |
|--------------------------|-------------------|--------------------|---|
| Drawn By: J. ROSOWSKI | Date: 06/22/11 | Material: VINYL | THE INFORMATION, DESIGN OR DATA CONTAINED HEREIN IS THE EXCLUSIVE PROPERTY OF PGT INDUSTRIES AND CONSIDERED CONFIDENTIAL AND PROPRIETARY. NO PORTION OF THIS DOCUMENT MAY BE USED OR REPRODUCED IN ANY FORM WITHOUT THE EXPRESS WRITTEN PERMISSION OF PGT INDUSTRIES. |
| Revised By: | Date: | Revisors: | |
| Description: | | | Title: HORIZONTAL ROLLER INSTALLATION |
| Series/Model: HR-510 | Scale: NTS | Sheet: 1 of 3 | |
| Drawing No. 2062211JR | | Rev: | |



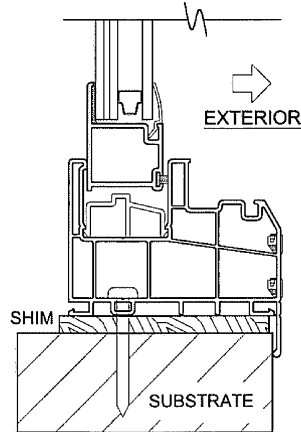
FLANGE FRAME,
HEAD INSTALLATION
(USING 1X BUCKSTRIP)



FLANGE FRAME,
SILL INSTALLATION
(USING 1X BUCKSTRIP)

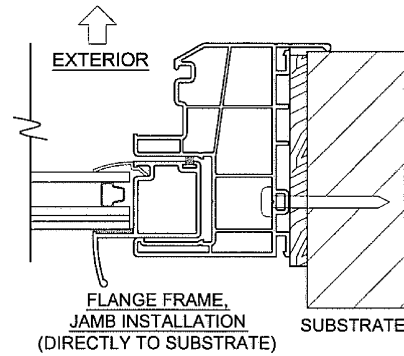
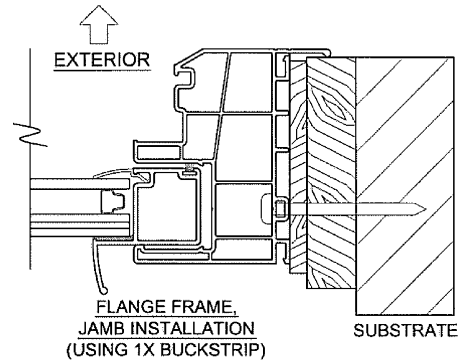


FLANGE FRAME,
HEAD INSTALLATION
(DIRECTLY TO SUBSTRATE)



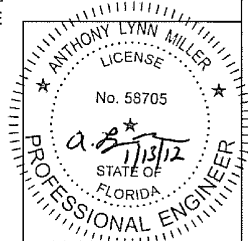
FLANGE FRAME,
SILL INSTALLATION
(DIRECTLY TO SUBSTRATE)

INSTALLATION WITH FLANGE FRAME



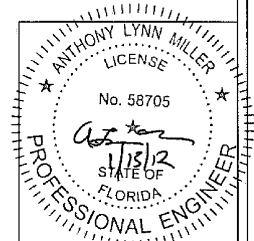
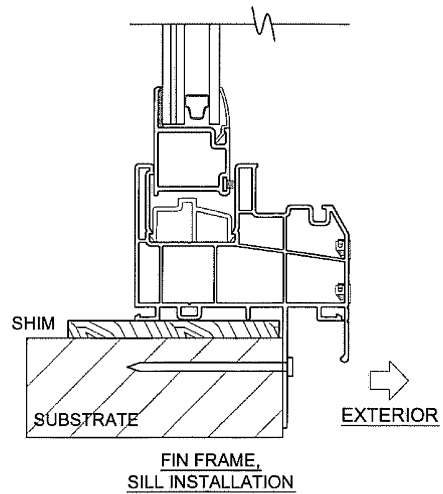
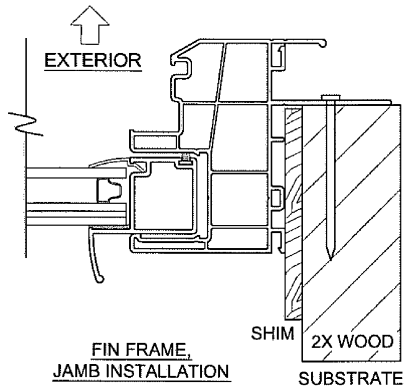
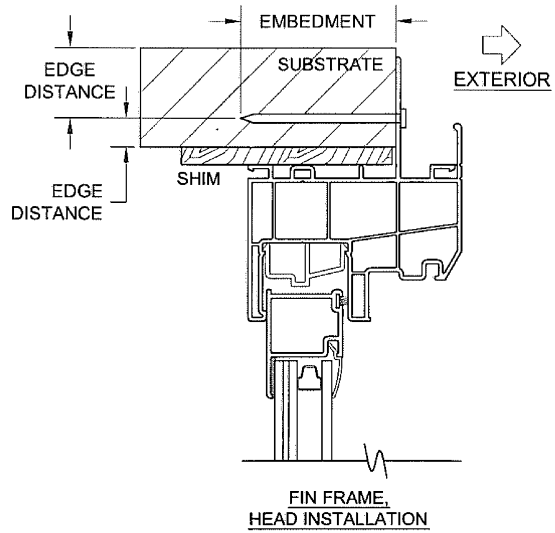
INSTALLATION NOTES:

- 1) SEE SHEET 1 FOR SPACING REQUIREMENTS.
- 2) SEE TABLE 2 FOR ANCHORAGE AND SUBSTRATE REQUIREMENTS.
- 3) MAX. SHIM THICKNESS TO BE 1/4".
- 4) GLASS SHOWN IS FOR ILLUSTRATIVE PURPOSES ONLY AND MAY DIFFER TO MEET DESIGN REQUIREMENTS.
- 5) FIN AND/OR FLANGE MAY BE REMOVED. FOR EQUAL-LEG FRAME APPLICATIONS, USE FLANGE INSTRUCTIONS.



| | | | | |
|---|---------------|----------|------------|---|
| 1070 TECHNOLOGY DRIVE NOKOMIS, FL 34275 FL CERT. OF AUTH. : 29296 | Drawn By: | Date: | Material: | THE INFORMATION, DESIGN OR DATA CONTAINED HEREIN IS THE EXCLUSIVE PROPERTY OF PGT INDUSTRIES AND CONSIDERED CONFIDENTIAL AND PROPRIETARY. NO PORTION OF THIS DOCUMENT MAY BE USED OR REPRODUCED IN ANY FORM WITHOUT THE EXPRESSED WRITTEN PERMISSION OF PGT INDUSTRIES. |
| | J. ROSOWSKI | 06/22/11 | VINYL | |
| | Revised By: | Date: | Revisions: | |
| | | | | |
| Description: | | | | |
| Title: | | | | |
| HORIZONTAL ROLLER INSTALLATION | | | | |
| A. Lynn Miller, P.E. P.E. #58705 | Series/Model: | Scale: | Sheet: | Drawing No.: |
| | HR-510 | NTS | 2 of 3 | 2062211JR |
| | | | | Rev: |

INSTALLATION WITH FIN FRAME



INSTALLATION NOTES:

- 1) SEE SHEET 1 FOR SPACING REQUIREMENTS.
- 2) SEE TABLE 3 FOR ANCHORAGE AND SUBSTRATE REQUIREMENTS.
- 3) MAX. SHIM THICKNESS TO BE 1/4".

| | | | | |
|---|---------------|----------|------------|---|
| 1070 TECHNOLOGY DRIVE NOKOMIS, FL 34275 FL CERT. OF AUTH. : 29296 | Drawn By: | Date: | Material: | THE INFORMATION, DESIGN OR DATA CONTAINED HEREIN IS THE EXCLUSIVE PROPERTY OF PGT INDUSTRIES AND CONSIDERED CONFIDENTIAL AND PROPRIETARY. NO PORTION OF THIS DOCUMENT MAY BE USED OR REPRODUCED IN ANY FORM WITHOUT THE EXPRESSED WRITTEN PERMISSION OF PGT INDUSTRIES. |
| | J. ROSOWSKI | 06/22/11 | VINYL | |
| | Revised By: | Date: | Revisions: | |
| | | | | |
| Description: | | | | |
| Title: | | | | |
| HORIZONTAL ROLLER INSTALLATION | | | | |
| A. Lynn Miller, P.E. P.E. #58705 | Series/Model: | Scale: | Sheet: | Drawing No. |
| | HR-510 | NTS | 3 of 3 | 2062211JR |
| | | | | Rev: |
| | | | | |