



DEPARTMENT OF PERMITTING, ENVIRONMENT, AND REGULATORY
AFFAIRS (PERA)
BOARD AND CODE ADMINISTRATION DIVISION

MIAMI-DADE COUNTY, FLORIDA
PRODUCT CONTROL SECTION
11805 SW 26th Street, Room 208
Miami, Florida 33175-2474
T (786) 315-2590 F (786) 315-2599

NOTICE OF ACCEPTANCE (NOA)

www.miamidade.gov/pera/

PGT Industries, Inc.
1070 Technology Drive
North Venice, FL 34275

SCOPE:

This NOA is being issued under the applicable rules and regulations governing the use of construction materials. The documentation submitted has been reviewed and accepted by Miami-Dade County PERA -Product Control Section to be used in Miami-Dade County and other areas where allowed by the Authority Having Jurisdiction (AHJ).

This NOA shall not be valid after the expiration date stated below. The Miami-Dade County Product Control Section (In Miami-Dade County) and/ or the AHJ (in areas other than Miami-Dade County) reserve the right to have this product or material tested for quality assurance purposes. If this product or material fails to perform in the accepted manner, the manufacturer will incur the expense of such testing and the AHJ may immediately revoke, modify, or suspend the use of such product or material within their jurisdiction. PERA reserves the right to revoke this acceptance, if it is determined by Miami-Dade County Product Control Section that this product or material fails to meet the requirements of the applicable building code. This product is approved as described herein, and has been designed to comply with the Florida Building Code, including the High Velocity Hurricane Zone.

DESCRIPTION: Series "PW-3020 Picture" Aluminum Fixed Window - S.M.I.

APPROVAL DOCUMENT: Drawing No. 3020-2 titled "Aluminum Picture Window, SMI", sheets 1 through 7 of 7, prepared by manufacturer, dated 12/15/07 with the latest revision "B" dated 11/19/11, prepared by PGT Industries, Inc., signed and sealed by Anthony Lynn Miller, P. E., bearing the Miami-Dade County Product Control Revision stamp with the Notice of Acceptance number and Expiration date by the Miami-Dade County Product Control Section.

MISSILE IMPACT RATING: Small Missile Impact Resistant.

LABELING: Each unit shall bear a permanent label with the manufacturer's name or logo, city, state, model/ series and following statement: "Miami-Dade County Product Control Approved" unless otherwise noted herein.

RENEWAL of this NOA shall be considered after a renewal application has been filed and there has been no change in the applicable building code negatively affecting the performance of this product.

TERMINATION of this NOA will occur after the expiration date or if there has been a revision or change in the materials, use, and/or manufacture of the product or process. Misuse of this NOA as an endorsement of any product, for sales, advertising or any other purposes shall automatically terminate this NOA. Failure to comply with any section of this NOA shall be cause for termination and removal of NOA.

ADVERTISEMENT: The NOA number preceded by the words Miami-Dade County, Florida, and followed by the expiration date may be displayed in advertising literature. If any portion of the NOA is displayed, then it shall be done in its entirety.

INSPECTION: A copy of this entire NOA shall be provided to the user by the manufacturer or its distributors and shall be available for inspection at the job site at the request of the Building Official.

This NOA revises NOA No. 08-0123.04 and consists of this page 1, evidence pages E-1 and E-2, as well as approval document mentioned above.

The submitted documentation was reviewed by **Jaime D. Gascon, P. E.**



J. Gascon
2/8/12

NOA No. 11-1114.15
Expiration Date: April 17, 2013
Approval Date: February 16, 2012
Page 1

NOTICE OF ACCEPTANCE: EVIDENCE SUBMITTED

A. DRAWINGS

1. Manufacturer's die drawings and sections.
(Submitted under NOA's No. 11-0509.02)
2. Drawing No. 3020-2 titled "Aluminum Picture Window, SMI", sheets 1 through 7 of 7, prepared by manufacturer, dated 12/15/07 with the latest revision "B" dated 11/19/11, prepared by PGT Industries, Inc., signed and sealed by Anthony Lynn Miller, P. E.

B. TESTS

1. Test reports on:
 - 1) Air Infiltration Test, per FBC, TAS 202-94
 - 2) Uniform Static Air Pressure Test, Loading per FBC TAS 202-94
 - 3) Water Resistance Test, per FBC, TAS 202-94
 - 4) Small Missile Impact Test per FBC, TAS 201-94
 - 5) Cyclic Wind Pressure Loading per FBC, TAS 203-94

Along with marked-up drawings and installation diagram of an aluminum fixed window, prepared by Architectural Testing, Inc., Test Report No. **ATI-72150.01-401-18**, dated 07/23/07 signed and sealed by Joseph A. Reed, P. E.
(Submitted under NOA No. 08-0123.04)

C. CALCULATIONS

1. Anchor verification calculations and structural analysis, complying with FBC, prepared by PGT Industries, Inc., dated 01/18/08, signed and sealed by Robert L. Clark, P. E.
(Submitted under previous NOA No. 08-0123.04)
2. Complies with ASTM E1300-04

D. QUALITY ASSURANCE

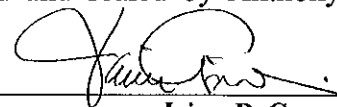
1. Miami-Dade Department of Permitting, Environment, and Regulatory Affairs (PERA)

E. MATERIAL CERTIFICATIONS

1. Notice of Acceptance No. 11-0624.01 issued to **E.I. DuPont DeNemours & Co., Inc.** for their "**DuPont Butacite® PVB Interlayer**" dated 09/08/11, expiring on 12/11/16.

F. STATEMENTS

1. Statement letter of conformance and compliance with the FBC-2007 (with the 2009 supplement) and FBC-2010, dated 10/26/11, signed and sealed by Anthony Lynn Miller, P. E.



Jaime D. Gascon, P. E.
Product Control Section Supervisor
NOA No. 11-1114.15

Expiration Date: April 17, 2013
Approval Date: February 16, 2012

PGT Industries, Inc.

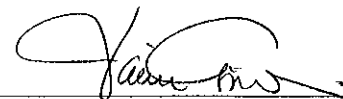
NOTICE OF ACCEPTANCE: EVIDENCE SUBMITTED

F. STATEMENTS (CONTINUED)

2. Statement letter of no financial interest and independence, dated 10/26/11, signed and sealed by Anthony Lynn Miller, P. E.
3. Letter of *Adoption of as his Own, the Work of another Engineer* per Section 61G15-27.001 of the F.B.P.E., dated 10/07/11 signed and sealed by Anthony Lynn Miller, P. E.
4. Statement letter of conformance and compliance with the FBC-2007, dated 01/18/08, signed and sealed by Robert L. Clark, P. E.
(Submitted under previous NOA No. 08-0123.04)
5. Statement letter of no financial interest and independence, dated 01/18/08, signed and sealed by Robert L. Clark, P. E.
(Submitted under previous NOA No. 08-0123.04)
6. Test Proposal No. **07-2517-R** issued by BCCO dated 11/20/07 signed by Ishaq I. Chanda, P.E.
(Submitted under previous NOA No. 08-0123.04)
7. Laboratory compliance letter for Test Report No. **ATI-72150.01-401-18**, issued by Architectural Testing, Inc., dated 07/23/07, signed and sealed by Joseph A. Reed, P.E.
(Submitted under previous NOA No. 08-0123.04)

G. OTHERS

1. Notice of Acceptance No. **08-0123.04**, issued to PGT Industries, Inc. for their Series "PW-3020 Aluminum Fixed Window - S.M.I.", approved on 04/17/08 and expiring on 04/17/13.



Jaime D. Gascon, P. E.
Product Control Section Supervisor
NOA No. 11-1114.15
Expiration Date: April 17, 2013
Approval Date: February 16, 2012

GENERAL NOTES: SMALL MISSILE IMPACT PICTURE WINDOW

NOTE:
FOR SMALL MISSILE APPLICATIONS ONLY

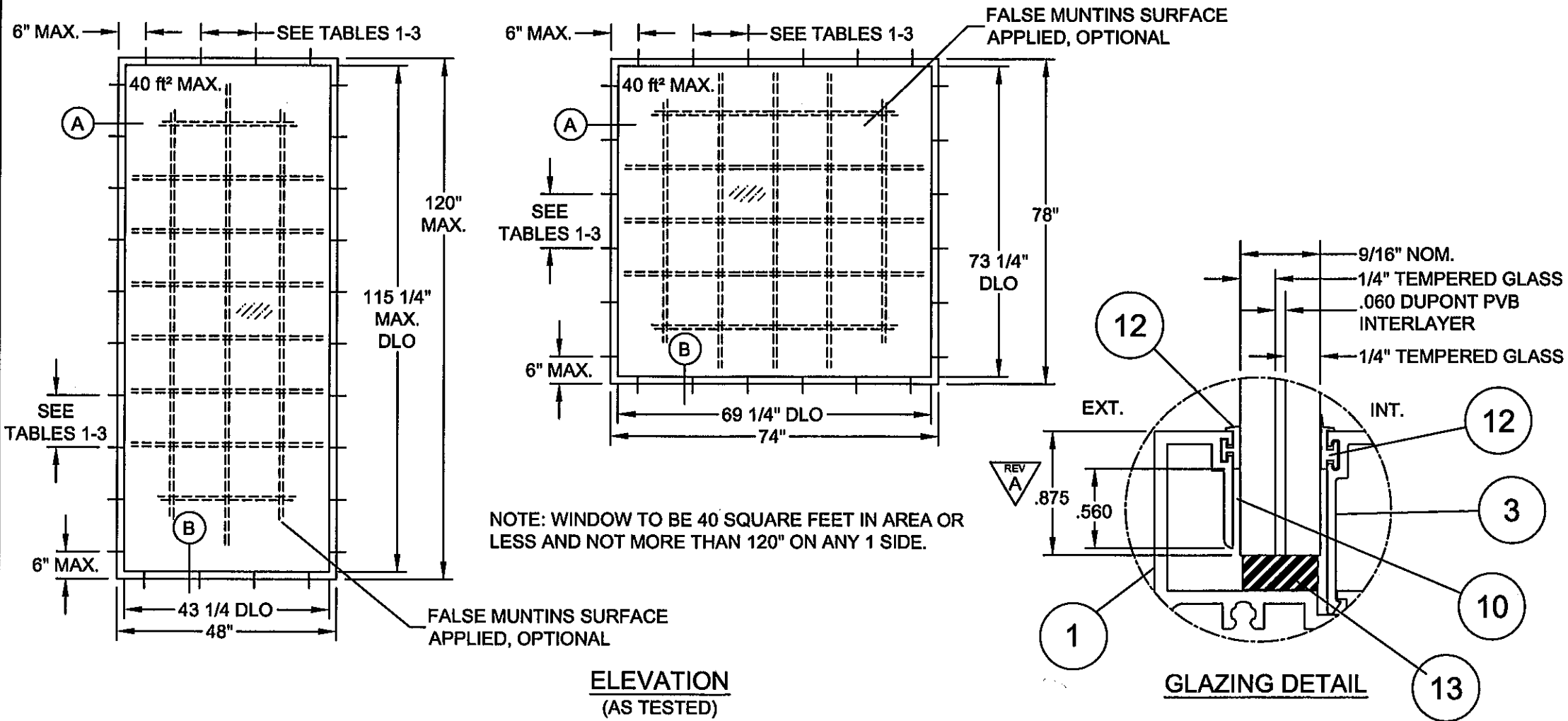
- GLAZING OPTION(S): 9/16" LAMI: (2) LITES OF 1/4" TEMPERED GLASS (T) GLASS WITH AN .060" DUPONT (PVB) INTERLAYER.
- CONFIGURATIONS: O; APPROVAL APPLIES TO FIXED WINDOWS OF EQUAL LEG FRAMES. SIDE BY SIDE COMBINATIONS OF FIXED/FIXED OR FIXED WITH OTHER WINDOW TYPES IN MODULES OF TWO OR MORE WINDOWS USING APPROVED MULLIONS.
- DESIGN PRESSURES: A. NEGATIVE DESIGN LOADS BASED ON TESTED PRESSURE AND GLASS TABLES ASTM E 1300-02; B. POSITIVE DESIGN LOADS BASED ON WATER TEST PRESSURE AND GLASS TABLES ASTM E 1300-02.
- ANCHORAGE: ANCHOR SHALL BE AS LISTED AND SPACED AS SHOWN ON DETAILS. ANCHOR EMBEDMENT TO SUBSTRATE SHALL BE BEYOND WALL DRESSING OR STUCCO. THE 33 1/3% STRESS INCREASE HAS NOT BEEN USED IN THE DESIGN OF THIS PRODUCT. MATERIALS, INCLUDING BUT NOT LIMITED TO STEEL SCREWS, THAT COME INTO CONTACT WITH OTHER DISSIMILAR MATERIALS SHALL MEET THE REQUIREMENTS OF THE FLORIDA BUILDING CODE. APPROVED ANCHORS: 1, #14 STEEL SCREW (G5) 2, 1/4" ELCO ULTRACON 3 & 4, 5/16" ELCO ULTRACON.
- SHUTTER REQUIREMENT: ABOVE 30 FT., SHUTTERS ARE NOT REQUIRED.
- INSTALLATION SCREWS AND FRAME CORNERS SEALED WITH NARROW JOINT SEALANT.
- REFERENCES: TEST REPORT ATI 73060.01-401.18 & 72150.01-401.18; ELCO TEXTRON NOA 07.0425.01; ANSI/AF&PA NDS-2005 FOR WOOD CONSTRUCTION; ADM-2005 ALUMINUM DESIGN MANUAL
- THIS PRODUCT HAS BEEN DESIGNED & TESTED TO COMPLY WITH THE REQUIREMENTS OF THE FLORIDA BUILDING CODE, INCLUDING THE HIGH VELOCITY HURRICANE ZONE (HVHZ).

DESIGN PRESSURES		
(ALL SIZES & CONFIGURATIONS)		
GLASS TYPE	POS	NEG
9/16" TEMPERED PVB LAMI	+165.0	-165.0

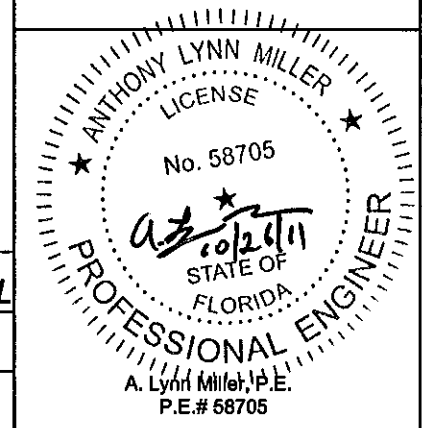
BASED ON 5/16" ELCO TAPCONS IN CONCRETE USING JAMB ANCHOR PLATE AND 1/4" SHIMS. OTHER ANCHOR TYPES AND SUBSTRATES AVAILABLE, SOME WITH DESIGN PRESSURE LIMITATIONS. SEE ENCLOSED FOR SPECIFICS.

NOA DRAWING MAP

GENERAL NOTES.....	1
GLAZING DETAILS.....	1
ELEVATIONS.....	1
VERT. SECTIONS.....	2
HORIZ. SECTIONS.....	2
CORNER ASSEMBLY.....	2
EXTRUSIONS.....	3
PARTS LIST.....	3
ANCHORAGE.....	3
ANCHOR QUANTITIES.....	4-6
DP TABLES.....	7

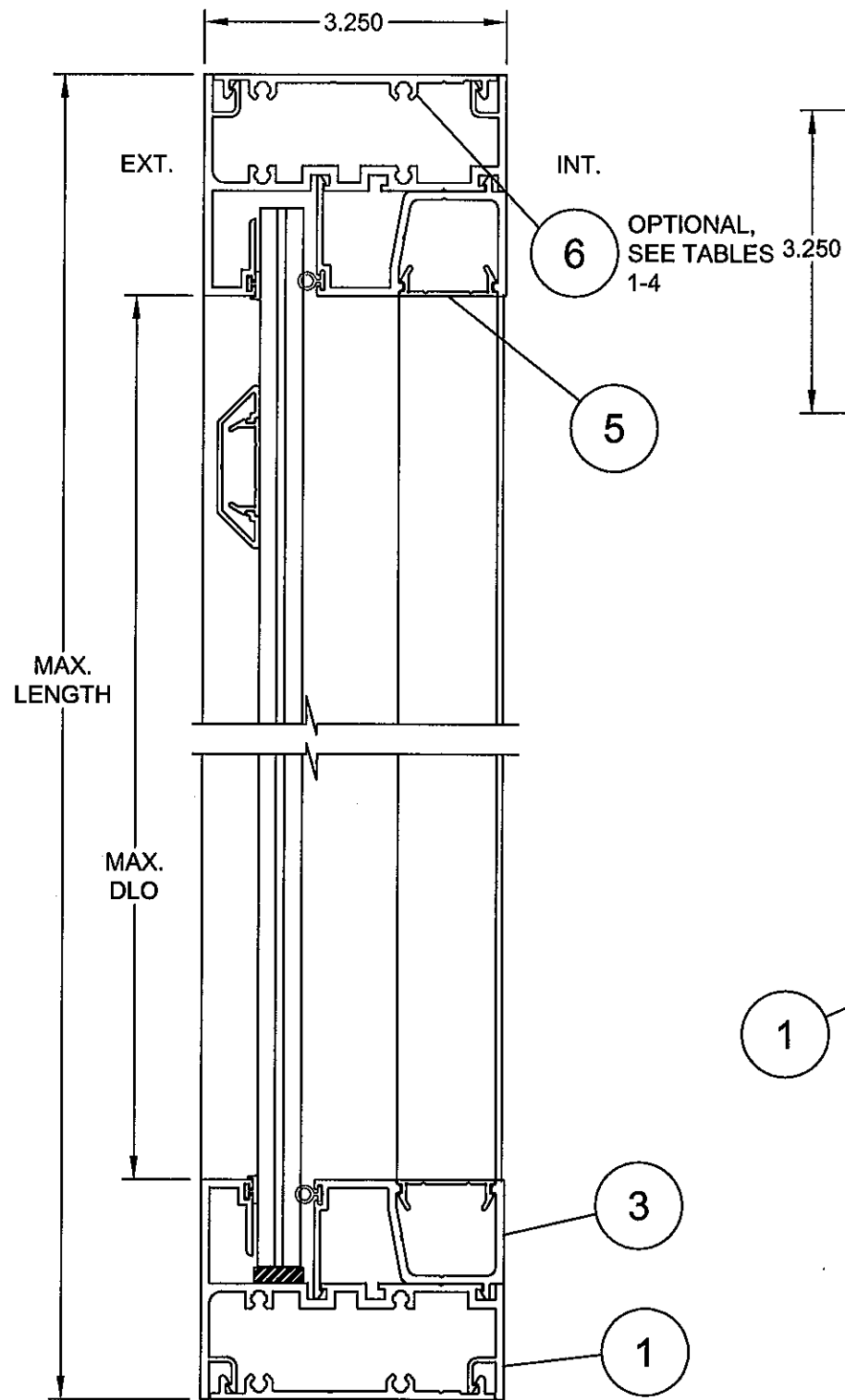


PRODUCT REVISED as complying with the Florida Building Code
 Acceptance No. **11-1114.15**
 Expiration Date **07/17/2013**
 By *[Signature]*
 Miami Dade Product Control

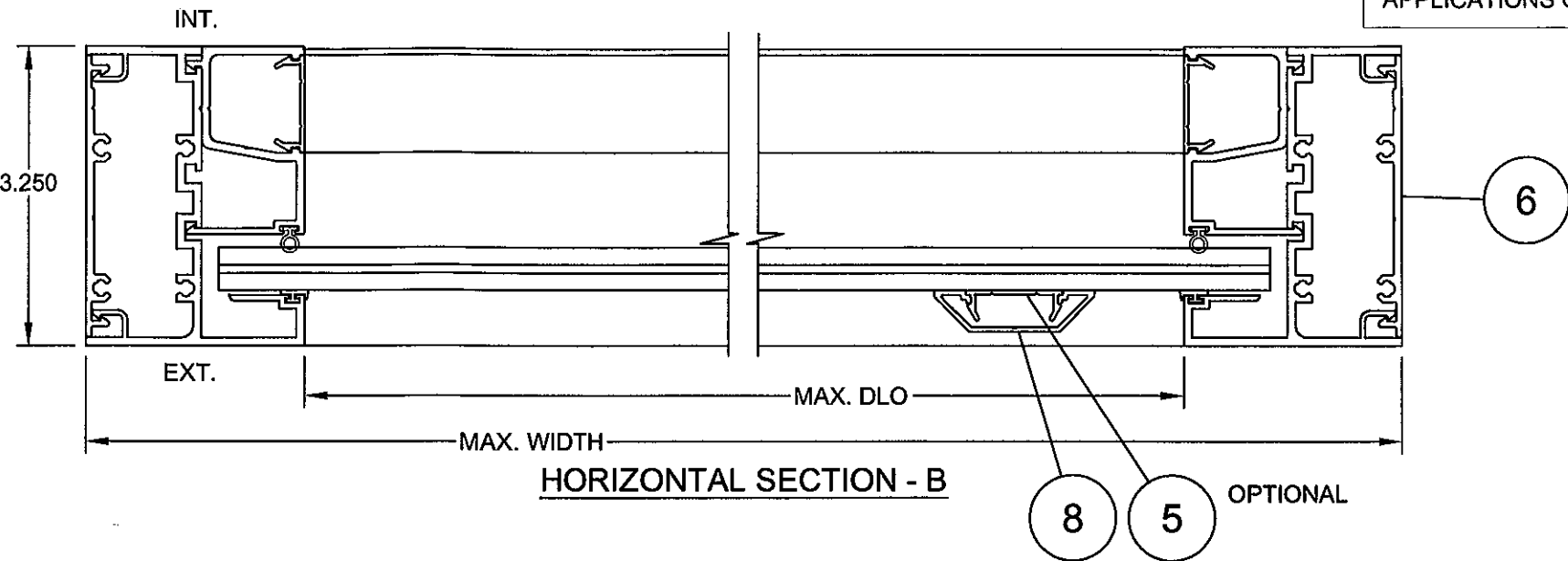


Revised By: JR	Date: 03/11/08	Revisions: A	A. Corrected & Added Dim. at Glass Detail	1070 TECHNOLOGY DRIVE NOKOMIS, FL 34275 P.O. BOX 1529 NOKOMIS, FL 34274		Description: GENERAL NOTES, ELEVATION & GLAZING DETAIL				
Revised By: J.J.	Date: 11/19/11	Revisions: B	2010 FBC UPDATE			Title: ALUMINUM PICTURE WINDOW, SMI				
Drawn By: J.R.	Date: 12/15/07	Checked By:	Date:			Series/Model: PW3020	Scale: NTS	Sheet: 1 of 7	Drawing No. 3020-2	Rev: B

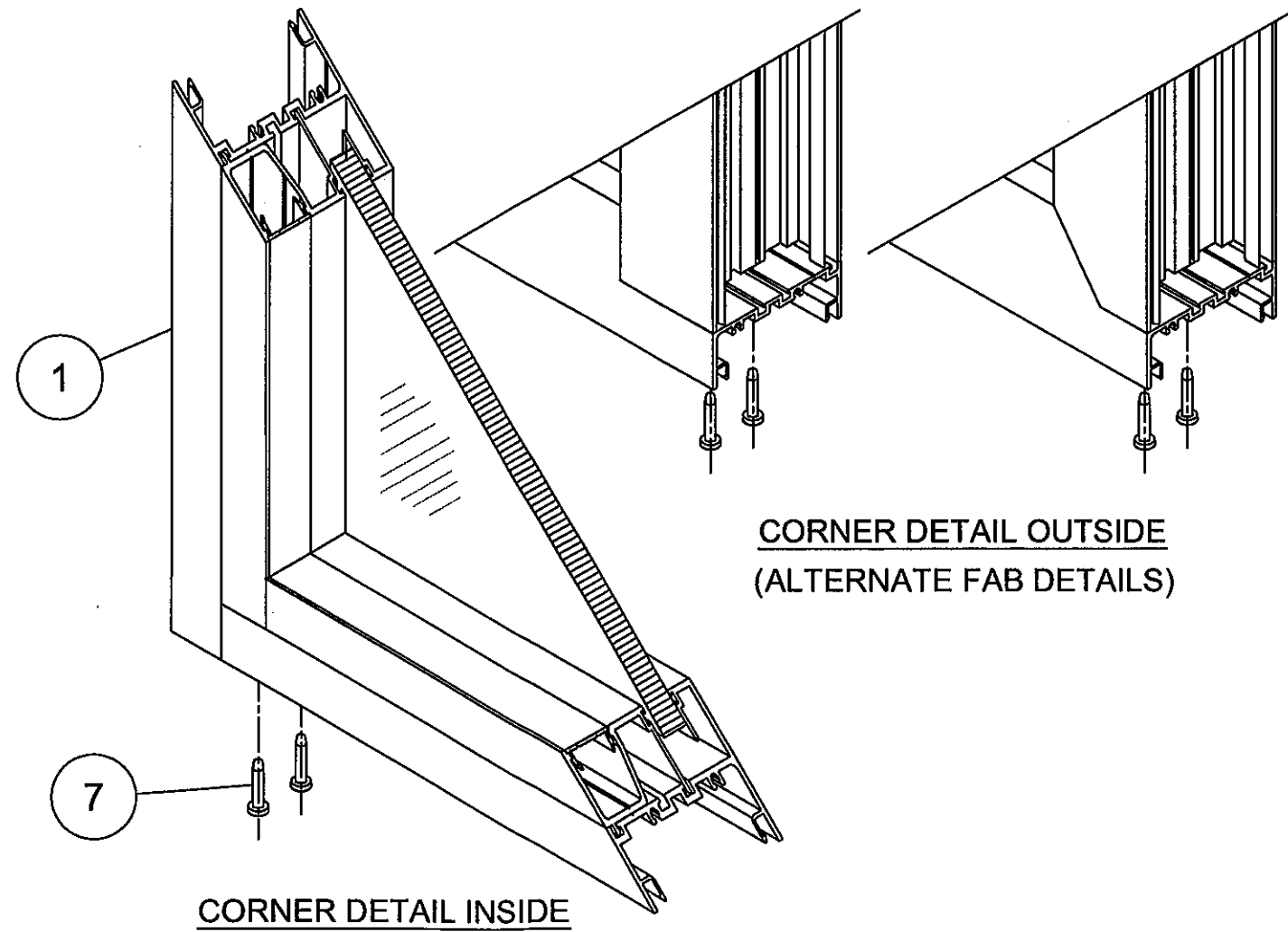
NOTE:
FOR SMALL MISSILE
APPLICATIONS ONLY



VERTICAL SECTION - A



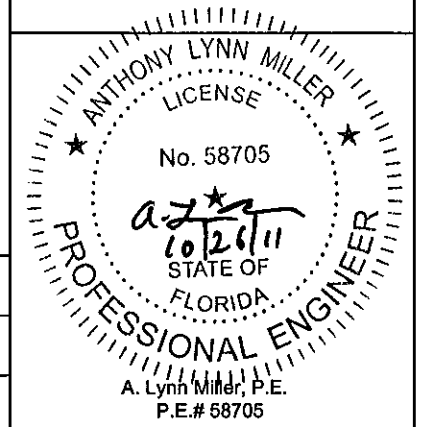
HORIZONTAL SECTION - B



**CORNER DETAIL OUTSIDE
(ALTERNATE FAB DETAILS)**

CORNER DETAIL INSIDE

PRODUCT REVISED
as complying with the Florida
Building Code
Acceptance No. **11-1114.15**
Expiration Date **08/17/2013**
By *[Signature]*
Miami Dade Product Control



Revised By: JR	Date: 03/11/08	Revisions: A	A. No changes this sheet
Revised By: J.J.	Date: 11/19/11	Revisions: B	NO CHANGE THIS SHEET
Revised By:	Date:	Revisions:	
Drawn By: J.R.	Date: 12/15/07	Checked By:	Date:

1070 TECHNOLOGY DRIVE
NOKOMIS, FL 34275
P.O. BOX 1529
NOKOMIS, FL 34274

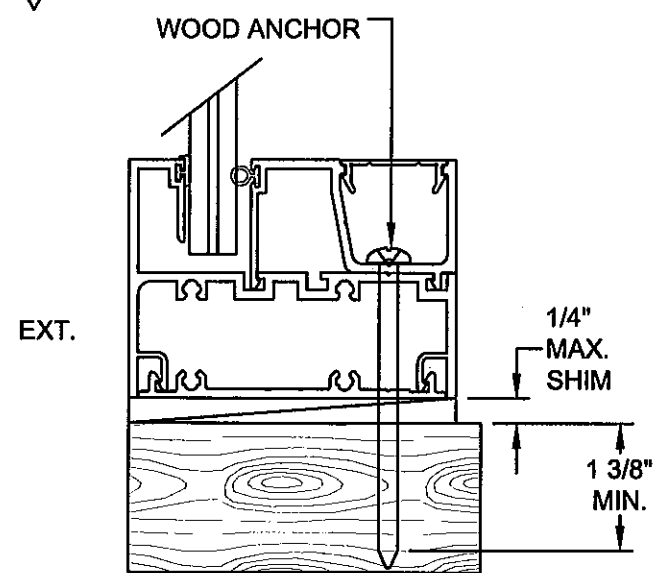


Description: SECTIONS			
Title: ALUMINUM PICTURE WINDOW, SMI			
Series/Model: PW3020	Scale: .5x	Sheet: 2 of 7	Drawing No. 3020-2
			Rev: B

NOTES:

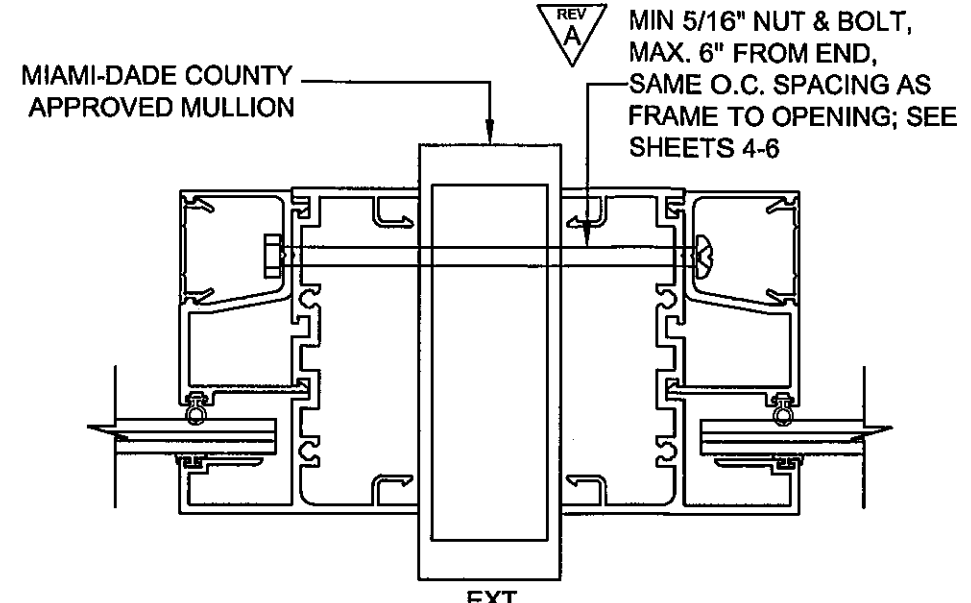
1. FOR CONCRETE APPLICATIONS USE ANCHOR TYPE 2, 3 OR 4. SEE SHEETS 1-3, FOR ANCHOR DESCRIPTION AND SPACING.
2. FOR WOOD APPLICATIONS USE ANCHOR TYPES 1 OR 2. SEE SHEET 1-3 FOR ANCHOR DESCRIPTION AND SPACING.
3. WOOD BUCKS DEPICTED AS 1x ARE LESS THAN 1 1/2" THICK. 1x WOOD BUCKS ARE OPTIONAL IF UNIT IS INSTALLED DIRECTLY TO SOLID CONCRETE. WOOD BUCKS DEPICTED AS 2x ARE 1 1/2" THICK OR GREATER. INSTALLATION TO THE SUBSTRATE OF WOOD BUCKS TO BE ENGINEERED BY OTHERS OR AS APPROVED BY THE AUTHORITY HAVING JURISDICTION (AHJ).

REV A

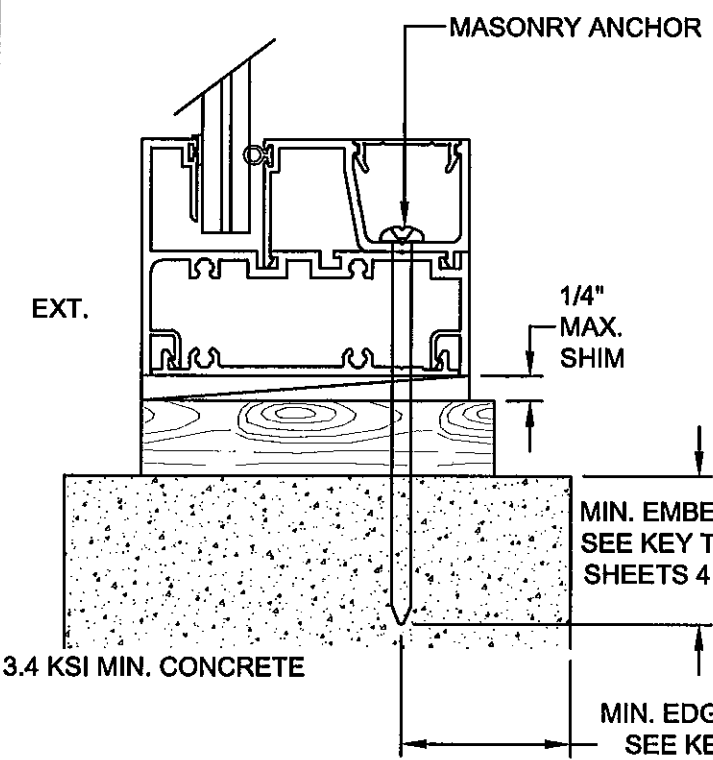


TYPE HEAD, SILL & JAMB (2x WOOD)

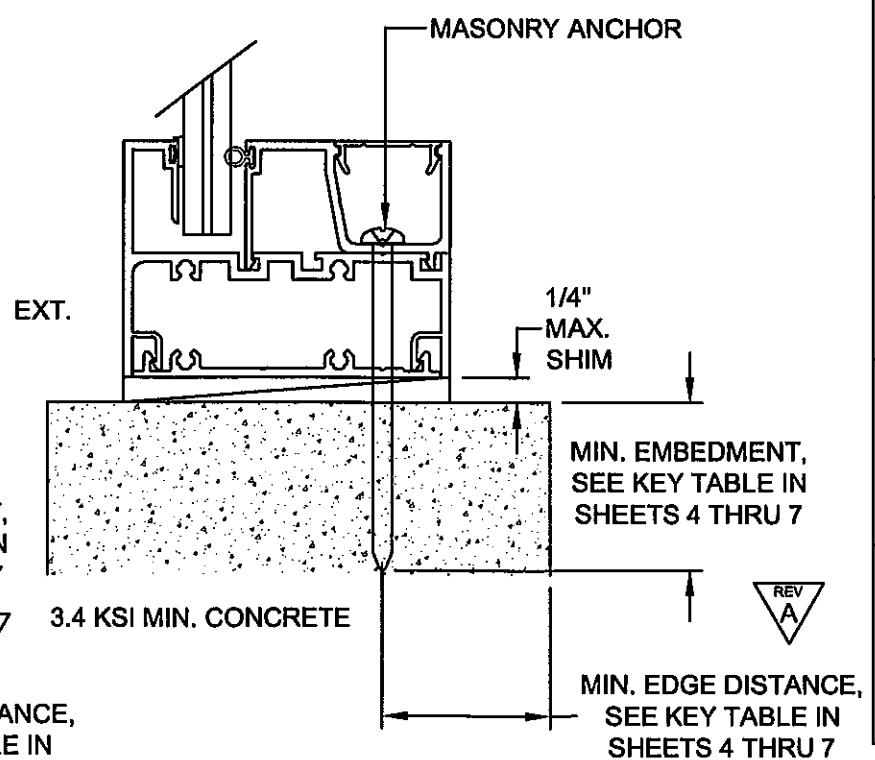
REV A



MULLED EXAMPLE - ENGINEERED BY OTHERS

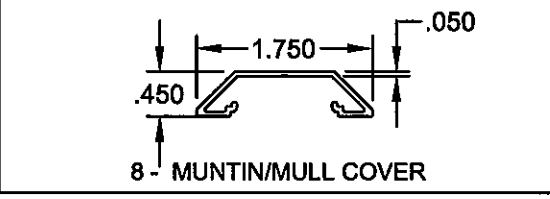
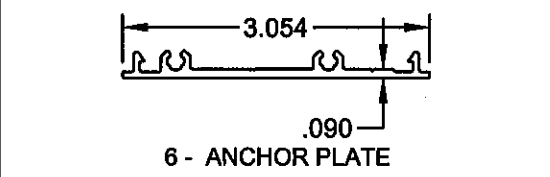
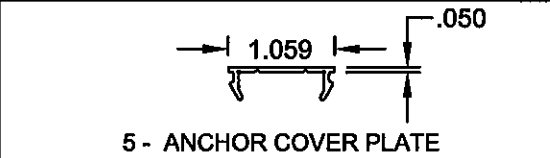
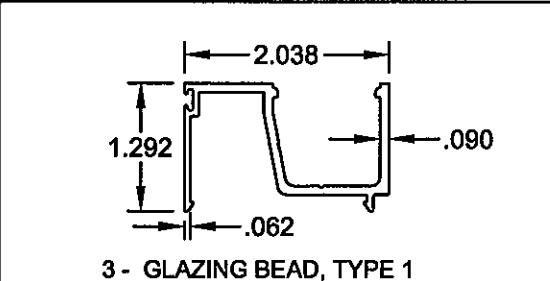
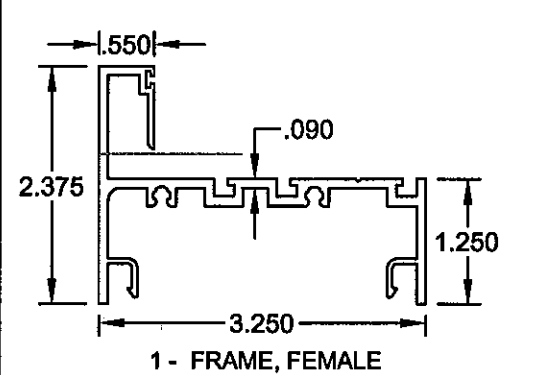


TYPE HEAD, SILL & JAMB (CONCRETE W/ 1x BUCK)



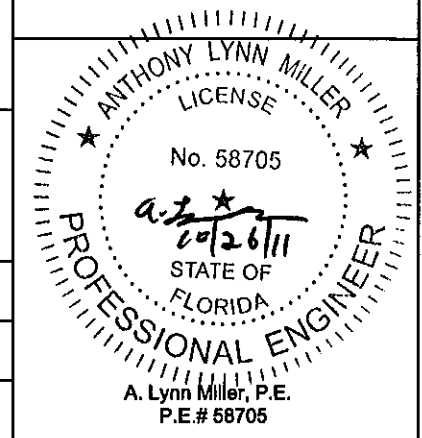
TYPE HEAD, SILL & JAMB (DIRECTLY TO CONCRETE)

ITEM	PART #	DESCRIPTION	MAT'L	VENDOR #
1	13102	FRAME, FEMALE	6063-T5	3506GW-90-7
3	13105	GLAZING BEAD, TYPE 1	6063-T5	3506GW-90-3
5	13106	ANCHOR COVER PLATE	6063-T5	3506GW-90-5
6	13103	ANCHOR PLATE	6063-T5	3506GW-90-9
7		#10 X 1" PH SMS	S.S.	
8	13053	MUNTIN/MULL COVER	6063-T5	3506GW-590-3
10		BACKBEDDING	SILICONE	GE RS 7700
11		SEAM-SEALER		
12	13060	GLAZING LEG WSTP.	EPDM	13060
13	1614	SETTING BLOCK 1/8"x1/2"x1"	EPDM	
14	9/16" LAMI (1/4" T, .060 SGP, 1/4" T)		GLASS	PGT



NOTE:
FOR SMALL MISSILE APPLICATIONS ONLY

PRODUCT REVISED as complying with the Florida Building Code
Acceptance No. **11-1114.15**
Expiration Date **04/17/2013**
By *[Signature]*
Miami Dade Product Control



Revsd By: JR	Date: 03/11/08	Revisions: A	A. Changed Notes, Corrected Mullion Anchor Spacing,
Revsd By:	Date:	Revisions:	Corrected Embedment & E.D. Dim Notes.
Revsd By: J.J.	Date: 11/19/11	Revisions: B	NO CHANGE THIS SHEET
Drawn By: J.R.	Date: 12/15/07	Checked By:	Date:

1070 TECHNOLOGY DRIVE
NOKOMIS, FL 34275
P.O. BOX 1529
NOKOMIS, FL 34274



Description: PARTS LIST, EXTRUSIONS & ANCHORAGE			
Title: ALUMINUM PICTURE WINDOW, SMI			
Series/Model: PW3020	Scale: .5X	Sheet: 3 of 7	Drawing No. 3020-2
Rev: B			

TABLE 2

HEAD, SILL AND JAMB ANCHOR QUANTITIES FOR DESIGN PRESSURES OF +150/-150 PSF OR LESS

ANCHOR TYPE (see table below)		WINDOW HEIGHT (in)																															
		36				48				60				72				84				96				108				120			
WINDOW WIDTH (in)	ANCHOR LOCATION	1	2	3	4	1	2	3	4	1	2	3	4	1	2	3	4	1	2	3	4	1	2	3	4	1	2	3	4	1	2	3	4
24	Head and Sill	3	3	3	3	3	3	3	3	3	3	3	3	3	3	3	3	3	3	3	3	3	3	3	3	3	3	3	3	3	3	3	3
	Jamb	4	4	5	4	6	6	8	6	7	7	10	7	9	9	12	9	10	10	15	10	12	12	17	12	13	13	20	13	15	15	22	15
36	Head and Sill	4	4	6	4	4	4	6	4	4	4	6	4	4	4	6	4	4	4	6	4	4	4	6	4	4	4	6	4	4	4	6	4
	Jamb	4	4	6	4	6	6	9	6	7	7	13	7	9	9	17	9	10	10	20	10	12	12	24	12	13	13	27	13	15	15	31	15
48	Head and Sill	6	6	9	6	6	6	10	6	6	6	10	6	6	6	10	6	6	6	10	6	6	6	10	6	6	6	10	6	6	6	10	6
	Jamb	4	4	6	4	6	6	10	6	7	7	15	7	9	9	20	9	10	10	24	10	12	12	29	12	13	13	34	13	15	15	39	15
60	Head and Sill	7	7	13	7	7	7	15	7	7	7	15	7	7	7	15	7	7	7	15	7	7	7	15	7								
	Jamb	4	4	6	4	6	6	10	6	7	7	15	7	9	9	21	9	10	10	27	10	12	12	33	12								
72	Head and Sill	9	9	17	9	9	9	20	9	9	9	21	9	9	9	22	9	9	9	22	9												
	Jamb	4	4	6	4	6	6	10	6	7	7	15	7	9	9	22	9	10	11	29	11												
84	Head and Sill	10	10	20	10	10	10	24	10	10	10	27	10	10	10	29	10	10	10	30	10												
	Jamb	4	4	6	4	6	6	10	6	7	7	15	7	9	9	22	9	10	11	30	11												
96	Head and Sill	12	12	24	12	12	12	29	12	12	12	33	12																				
	Jamb	4	4	6	4	6	6	10	6	7	7	15	7																				
108	Head and Sill	13	13	27	13	13	13	34	13	13	13	39	13																				
	Jamb	4	4	6	4	6	6	10	6	7	7	15	7																				
120	Head and Sill	15	15	31	15	15	15	39	15																								
	Jamb	4	4	6	4	6	6	10	6																								

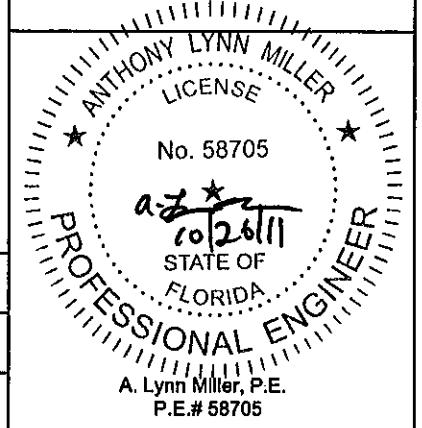
NOTE:
FOR SMALL MISSILE APPLICATIONS ONLY

- NOTES:**
1. TO BE USED IN CONJUNCTION WITH INSTALLATION DRAWINGS AND NOTES OF SHEET 3 OF 7.
 2. ALL SIZES ARE LIMITED TO 40 SQUARE FEET.
 3. INTERPOLATION BETWEEN VALUES ALLOWED - ALWAYS ROUND UP.
 4. MAXIMUM ANCHOR SPACING:
6" FROM THE CORNER
8" BETWEEN ANCHORS

KEY TABLE

Anchor Type	Anchor Type	Anchor Location	Substrate	Requires Anchor Plate	Min. O.C. Distance	Min. Edge Distance	Min. Embedment
1	off-the-shelf #14, steel screw (G5)	Head & Sill	Wood	Yes	2	1	1.375
		Jamb	Wood	Yes	2	1	1.375
2	Elco 1/4" steel Ultracon	Head & Sill	Concrete	Yes	4	1	1.375
		Jamb	CMU or Concrete	Yes	4	1	1.25
3	Elco 5/16" steel Ultracon	Head & Sill	Concrete	No	5	1.75	1
		Jamb	CMU or Concrete	No	5	1.75	1.25
4	Elco 5/16" steel Ultracon	Head & Sill	Concrete	Yes	5	1.75	1
		Jamb	CMU or Concrete	Yes	5	1.75	1.25

PRODUCT REVISED as complying with the Florida Building Code
 Acceptance No. **11-1114.15**
 Expiration Date **04/17/2013**
 By *[Signature]*
 Miami Dade Product Control



Revsd By: JR	Date: 03/11/08	Revisions: A	A. No changes this sheet
Revsd By: J.J.	Date: 11/19/11	Revisions: B	NO CHANGE THIS SHEET
Revsd By:	Date:	Revisions:	
Drawn By: J.R.	Date: 12/05/07	Checked By:	Date:

1070 TECHNOLOGY DRIVE
 NOKOMIS, FL 34275
 P.O. BOX 1529
 NOKOMIS, FL 34274



Description: ANCHORAGE PER 150 DP			
Title: ALUMINUM PICTURE WINDOW, SMI			
Series/Model: PW3020	Scale: N/A	Sheet: 5 of 7	Drawing No. 3020-2
Rev: B			

TABLE 3

HEAD, SILL AND JAMB ANCHOR QUANTITIES FOR DESIGN PRESSURES OF +135/-135 PSF OR LESS

ANCHOR TYPE (see table below)		WINDOW HEIGHT (in)																															
		36				48				60				72				84				96				108				120			
WINDOW WIDTH (in)	ANCHOR LOCATION	1	2	3	4	1	2	3	4	1	2	3	4	1	2	3	4	1	2	3	4	1	2	3	4	1	2	3	4	1	2	3	4
24	Head and Sill	3	3	3	3	3	3	3	3	3	3	3	3	3	3	3	3	3	3	3	3	3	3	3	3	3	3	3	3	3	3	3	3
	Jamb	4	4	5	4	6	6	7	6	7	7	9	7	9	9	11	9	10	10	13	10	12	12	15	12	13	13	18	13	15	15	20	15
36	Head and Sill	4	4	5	4	4	4	5	4	4	4	5	4	4	4	5	4	4	4	5	4	4	4	5	4	4	4	5	4	4	4	5	4
	Jamb	4	4	5	4	6	6	9	6	7	7	12	7	9	9	15	9	10	10	18	10	12	12	21	12	13	13	25	13	15	15	28	15
48	Head and Sill	6	6	9	6	6	6	9	6	6	6	9	6	6	6	9	6	6	6	9	6	6	6	9	6	6	6	9	6	6	6	9	6
	Jamb	4	4	5	4	6	6	9	6	7	7	13	7	9	9	18	9	10	10	22	10	12	12	26	12	13	13	30	13	15	15	35	15
60	Head and Sill	7	7	12	7	7	7	13	7	7	7	14	7	7	7	14	7	7	7	14	7	7	7	14	7								
	Jamb	4	4	5	4	6	6	9	6	7	7	14	7	9	9	19	9	10	10	25	10	12	12	30	12								
72	Head and Sill	9	9	15	9	9	9	18	9	9	9	19	9	9	9	20	9	9	9	20	9												
	Jamb	4	4	5	4	6	6	9	6	7	7	14	7	9	9	20	9	10	10	26	10												
84	Head and Sill	10	10	18	10	10	10	22	10	10	10	25	10	10	10	26	10	10	10	27	10												
	Jamb	4	4	5	4	6	6	9	6	7	7	14	7	9	9	20	9	10	10	27	10												
96	Head and Sill	12	12	21	12	12	12	26	12	12	12	30	12																				
	Jamb	4	4	5	4	6	6	9	6	7	7	14	7																				
108	Head and Sill	13	13	25	13	13	13	30	13	13	13	35	13																				
	Jamb	4	4	5	4	6	6	9	6	7	7	14	7																				
120	Head and Sill	15	15	28	15	15	15	35	15																								
	Jamb	4	4	5	4	6	6	9	6																								

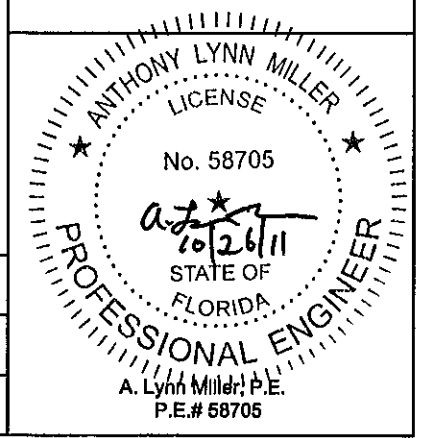
NOTE:
FOR SMALL MISSILE APPLICATIONS ONLY

- NOTES:**
1. TO BE USED IN CONJUNCTION WITH INSTALLATION DRAWINGS AND NOTES OF SHEET 3 OF 7.
 2. ALL SIZES ARE LIMITED TO 40 SQUARE FEET.
 3. INTERPOLATION BETWEEN VALUES ALLOWED - ALWAYS ROUND UP.
 4. MAXIMUM ANCHOR SPACING:
6" FROM THE CORNER
8" BETWEEN ANCHORS

KEY TABLE

Anchor Type	Anchor Type	Anchor Location	Substrate	Requires Anchor Plate	Min. O.C. Distance	Min. Edge Distance	Min. Embedment
1	off-the-shelf #14, steel screw (G5)	Head & Sill	Wood	Yes	2	1	1.375
		Jamb	Wood	Yes	2	1	1.375
2	Elco 1/4" steel Ultracon	Head & Sill	Concrete	Yes	4	1	1.375
		Jamb	CMU or Concrete	Yes	4	1	1.25
3	Elco 5/16" steel Ultracon	Head & Sill	Concrete	No	5	1.75	1
		Jamb	CMU or Concrete	No	5	1.75	1.25
4	Elco 5/16" steel Ultracon	Head & Sill	Concrete	Yes	5	1.75	1
		Jamb	CMU or Concrete	Yes	5	1.75	1.25

PRODUCT REVISED as complying with the Florida Building Code
 Acceptance No. 11-1114.15
 Expiration Date 04/17/2013
 By: *[Signature]*
 Miami Dade Product Control



Revised By: JR	Date: 03/11/08	Revisions: A	A. No changes this sheet	1070 TECHNOLOGY DRIVE NOKOMIS, FL 34275 P.O. BOX 1529 NOKOMIS, FL 34274	PGT Visibly Better	Description: ANCHORAGE PER 135 DP			
Revised By: J.J.	Date: 11/19/11	Revisions: B	NO CHANGE THIS SHEET			Title: ALUMINUM PICTURE WINDOW, SMI			
Revised By:	Date:	Revisions:				Series/Model: PW3020	Scale: N/A	Sheet: 6 of 7	Drawing No. 3020-2
Drawn By: J.R.	Date: 12/05/07	Checked By:	Date:						

TABLE 4

REV A

Design Pressure for Minimal Anchorage (+ and -, in psf)

WINDOW WIDTH (in)	Anchor Type → Min. Anchors per Head/Sill ↓	WINDOW HEIGHT (in)																																			
		36				48				60				72				84				96				108				120							
		4				6				7				9				10				12				13				15							
		1	2	3	4	1	2	3	4	1	2	3	4	1	2	3	4	1	2	3	4	1	2	3	4	1	2	3	4	1	2	3	4				
24	3	165	165	126	165	165	165	126	165	165	165	110	165	165	165	113	165	165	165	105	165	165	165	108	165	165	165	102	165	165	165	105	165				
36	4	165	165	112	165	165	165	101	165	165	165	84	165	165	165	84	165	165	165	76	165	165	165	78	165	165	165	73	165	165	165	74	165				
48	6	165	165	101	165	165	165	95	165	165	165	74	165	165	165	71	165	165	165	63	165	165	165	63	165	165	164	59	164	165	165	59	165				
60	7	165	165	84	165	165	165	74	165	165	165	71	165	165	165	65	165	165	157	56	157	165	154	55	154												
72	9	165	165	84	165	165	165	71	165	165	165	65	165	165	165	63	165																				
84	10	165	165	76	165	165	165	63	165	165	165	56	165																								
96	12	165	165	78	165	165	165	63	165	165	165	55	165																								
108	13	165	165	73	165	165	165	59	165																												
120	15	165	165	74	165	165	165	59	165																												

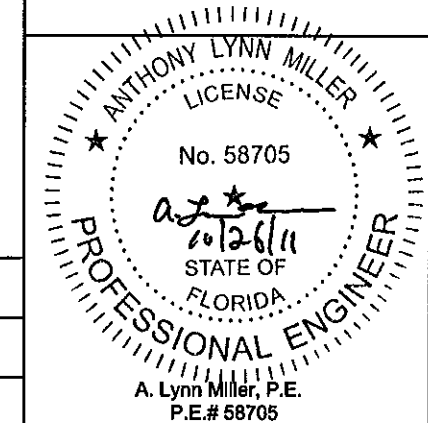
NOTE:
FOR SMALL MISSILE APPLICATIONS ONLY

- NOTES:**
1. TO BE USED IN CONJUNCTION WITH INSTALLATION DRAWINGS AND NOTES OF SHEET 3 OF 7.
 2. ALL SIZES ARE LIMITED TO 40 SQUARE FEET.
 3. INTERPOLATION BETWEEN VALUES ALLOWED - ALWAYS ROUND UP.
 4. MAXIMUM ANCHOR SPACING:
6" FROM THE CORNER
8" BETWEEN ANCHORS

KEY TABLE

Anchor Type	Anchor Type	Anchor Location	Substrate	Requires Anchor Plate	Min. O.C. Distance	Min. Edge Distance	Min. Embedment
1	off-the-shelf #14, steel screw (G5)	Head & Sill	Wood	Yes	2	1	1.375
		Jamb	Wood	Yes	2	1	1.375
2	Elco 1/4" steel Ultracon	Head & Sill	Concrete	Yes	4	1	1.375
		Jamb	CMU or Concrete	Yes	4	1	1.25
3	Elco 5/16" steel Ultracon	Head & Sill	Concrete	No	5	1.75	1
		Jamb	CMU or Concrete	No	5	1.75	1.25
4	Elco 5/16" steel Ultracon	Head & Sill	Concrete	Yes	5	1.75	1
		Jamb	CMU or Concrete	Yes	5	1.75	1.25

PRODUCT REVISED as complying with the Florida Building Code
 Acceptance No. **11-1114.15**
 Expiration Date **04/17/2013**
 By *[Signature]*
 Miami Dade Product Control



Revised By: JR	Date: 03/11/08	Revisions: A	A. Changed "Substrate" Heading to "Anchor Type"
Revised By: J.J.	Date: 11/19/11	Revisions: B	NO CHANGE THIS SHEET
Revised By:	Date:	Revisions:	
Drawn By: J.R.	Date: 12/05/07	Checked By:	Date:

1070 TECHNOLOGY DRIVE
 NOKOMIS, FL 34275
 P.O. BOX 1529
 NOKOMIS, FL 34274



Description: DP USING MINIMUM			
Title: ALUMINUM PICTURE WINDOW, SMI			
Series/Model: PW3020	Scale: N/A	Sheet: 7 of 7	Drawing No. 3020-2
			Rev: B