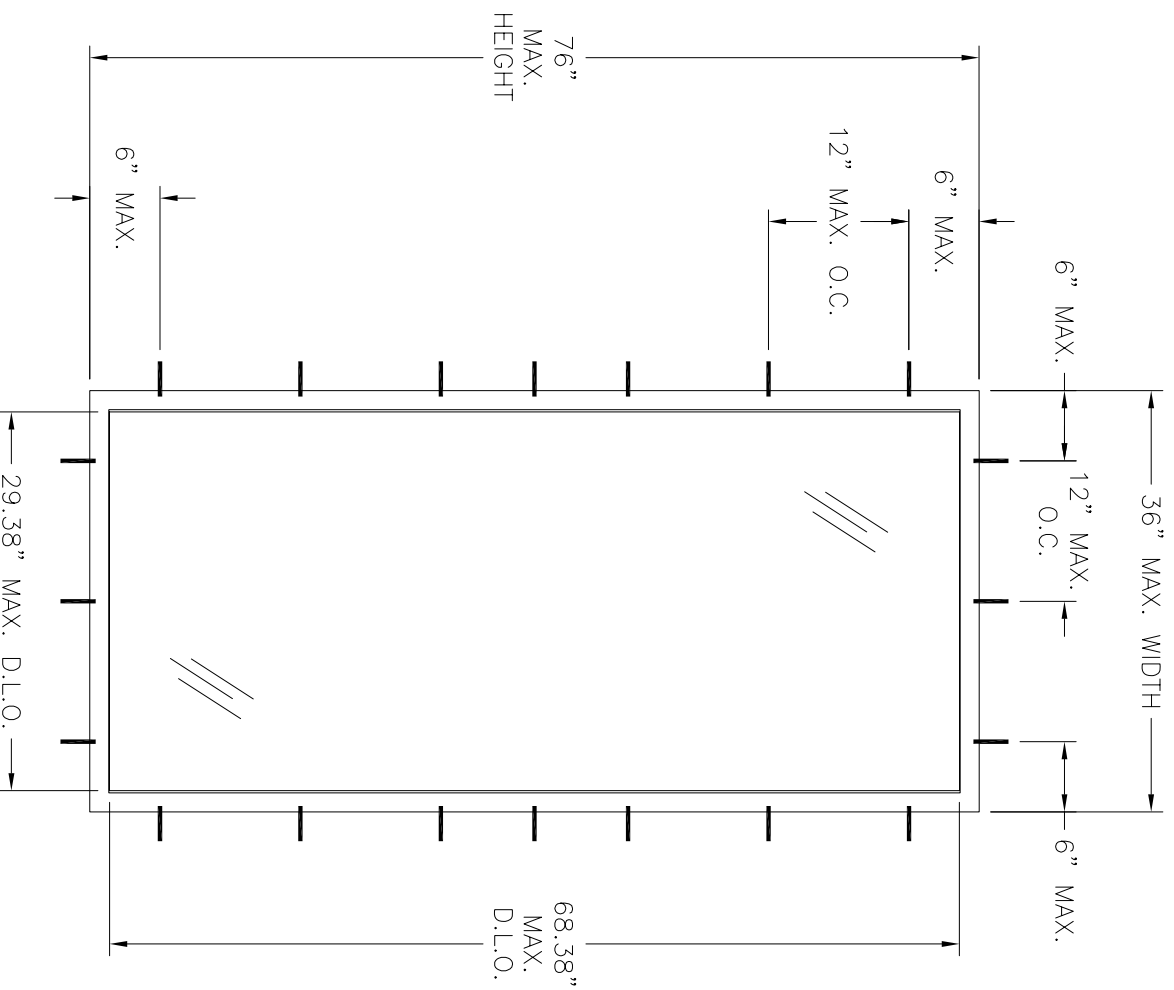


REVISIONS			
REV	DESCRIPTION	DATE	APPROVED



CA2840 PVC CASEMENT WINDOW
EXTERIOR VIEW

DESIGN PRESSURE RATING	IMPACT RATING
+ 80.0 PSF - 120.0 PSF	LARGE AND SMALL MISSILE IMPACT

NOTES:

- 1) THE PRODUCT SHOWN HEREIN IS DESIGNED AND MANUFACTURED TO COMPLY WITH REQUIREMENTS OF THE FLORIDA BUILDING CODE INCLUDING THE HVHZ
- 2) WOOD FRAMING AND MASONRY OPENING TO BE DESIGNED AND ANCHORED TO PROPERLY TRANSFER ALL LOADS TO STRUCTURE. FRAMING AND MASONRY OPENING IS THE RESPONSIBILITY OF THE ARCHITECT OR ENGINEER OF RECORD.
- 3) CONTRACTOR IS RESPONSIBLE FOR MAINTAINING STRUCTURAL INTEGRITY OF WINDOW OPENING AND ALL WOOD FRAMING AROUND WINDOW.
- 4) UNITS MUST BE GLAZED PER ASTM E1300 SEE SHEET 5 FOR APPROVED GLASS.
- 5) APPROVED IMPACT PROTECTIVE SYSTEM IS NOT REQUIRED FOR THIS PRODUCT IN WIND-BORNE DEBRIS REGIONS.
- 6) SHIM AS REQUIRED AT EACH INSTALLATION ANCHOR WITH LOAD BEARING SHIM. SHIM WHERE SPACE OF 1/16" OR GREATER OCCURS. MAXIMUM ALLOWABLE SHIM STACK TO BE 1/4".
- 7) FOR INSTALLATION INTO WOOD FRAMING OR 2X BUCK USE #8 WOOD SCREW WITH SUFFICIENT LENGTH TO ACHIEVE A 1 3/8" MINIMUM EMBEDMENT INTO SUBSTRATE. LOCATE ANCHORS AS SHOWN IN ELEVATIONS AND INSTALLATION DETAILS.
- 8) FOR INSTALLATION INTO CONCRETE/MASONRY USE 3/16" ELCO TAPCON WITH SUFFICIENT LENGTH TO ACHIEVE A 1 1/4" MINIMUM EMBEDMENT INTO SUBSTRATE. LOCATE ANCHORS AS SHOWN IN ELEVATIONS AND INSTALLATION DETAILS.
- 9) FOR ANCHORING INTO METAL FRAMING USE #10 TEK SELF TAPPING SCREWS WITH SUFFICIENT LENGTH TO ACHIEVE A MINIMUM EMBEDMENT OF THREE THREADS PAST THE FRAME THICKNESS. LOCATE ANCHORS AS SHOWN IN ELEVATIONS AND INSTALLATION DETAILS.
- 10) ALL FASTENERS TO BE CORROSION RESISTANT.
- 11) INSTALLATION ANCHORS SHALL BE INSTALLED IN ACCORDANCE WITH ANCHOR MANUFACTURER'S INSTALLATION INSTRUCTIONS, AND ANCHORS SHALL NOT BE USED IN SUBSTRATES WITH STRENGTHS LESS THAN THE MINIMUM STRENGTH SPECIFIED BELOW:
 - A. WOOD - MINIMUM SPECIFIC GRAVITY OF G=0.42
 - B. CONCRETE - MINIMUM COMPRESSIVE STRENGTH OF 3,200 PSI.
 - C. MASONRY - STRENGTH CONFORMANCE TO ASTM C-90, GRADE N, TYPE 1 (OR GREATER).
 - D. METAL FRAMING - 16GA (.060) MINIMUM THICKNESS
- 12) ALLOWABLE STRESS INCREASE OF 1/3 WAS NOT USED IN THE DESIGN OF THE PRODUCT SHOWN HEREIN. WIND LOAD DURATION FACTOR Cd=1.6 WAS USED FOR WOOD ANCHOR CALCULATIONS.
- 13) FRAME AND SASH MATERIAL: RIGID PVC

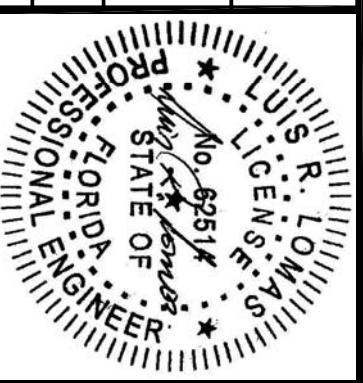
TABLE OF CONTENTS

SHEET NO.	DESCRIPTION
1	ELEVATION AND GENERAL NOTES
2	CROSS SECTIONS AND B.O.M.
3 - 4	INSTALLATION DETAILS
5	COMPONENTS AND GLAZING DETAILS

PGT INDUSTRIES
1070 TECHNOLOGY DRIVE
NOKOMIS, FL 34275

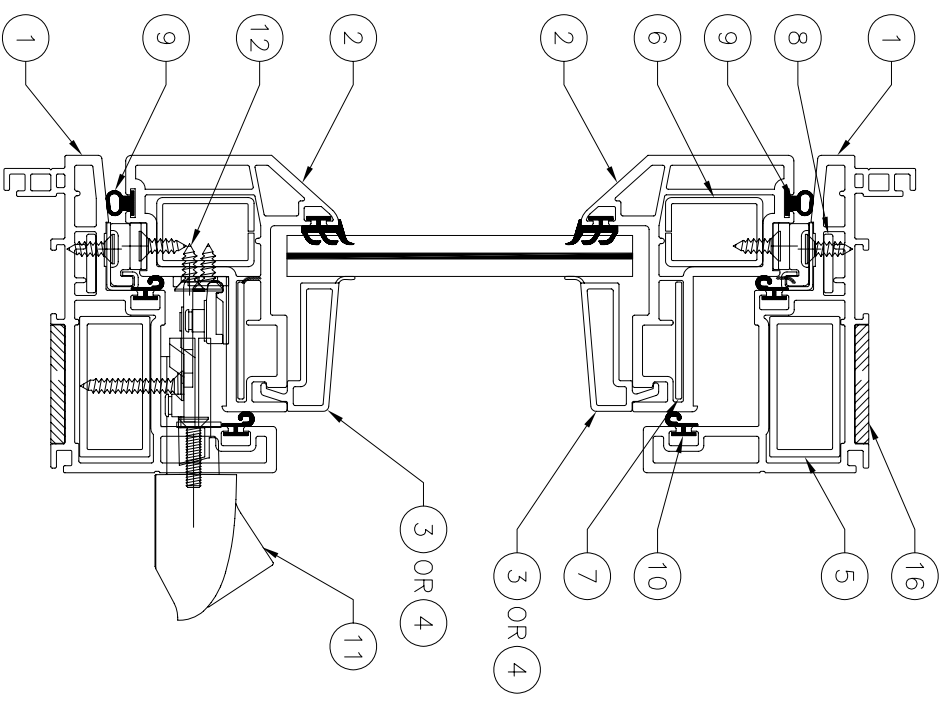
CA2840 CASEMENT PVC WINDOW
36 X 76
ELEVATION AND NOTES

DRAWN: R.L.	DWG NO. 08-00853	REV
SCALE NTS	DATE 09/02/09	SHEET 1 OF 5

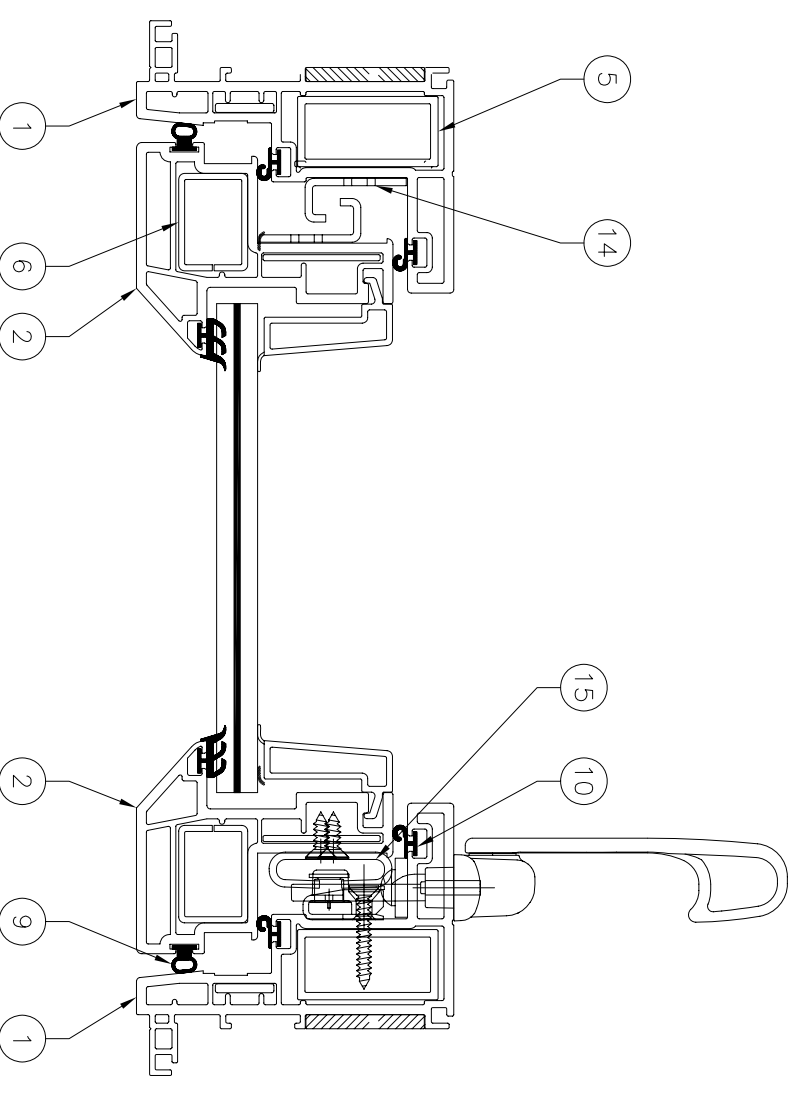


PARTS LIST		DESCRIPTION
NO.	PART NUMBER	
1	8291	FRAME, PVC
2	8292	SASH FRAME, PVC
3	8294	GLAZING BEAD, PVC
4	8213	GLAZING BEAD, PVC
5	A-1	REINFORCEMENT, ALUMINUM 60663-T5
6	ST1007B	SASH REINFORCEMENT, STEEL A36
7		STIFFENER, ALUMINUM 6063-T5
8		STIFFENER, ALUMINUM 6063-T5
9	1375	BULB SEAL
10	1376	FRAME GASKET
11	OP06750200	OPERATOR ASSY
12		#8 FH TEK SCREW
13	552	SIKAFLEX, SILICONE
14		REINFORCEMENT, ALUMINUM 6063-T5
15		REINFORCEMENT, ALUMINUM 6063-T5
16		RIGID FILLER, PVC
17		FIN ADAPTER

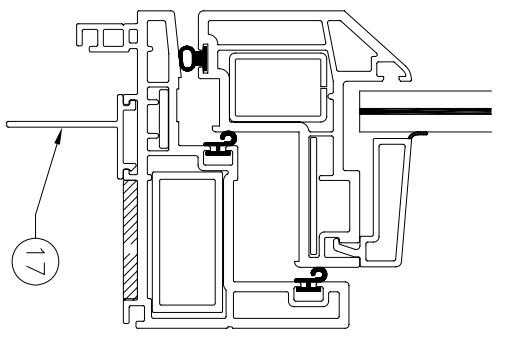
REVISIONS			
REV	DESCRIPTION	DATE	APPROVED



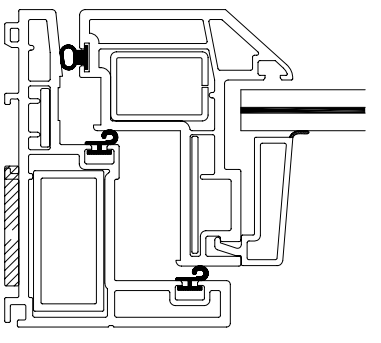
VERTICAL CROSS SECTION



HORIZONTAL CROSS SECTION

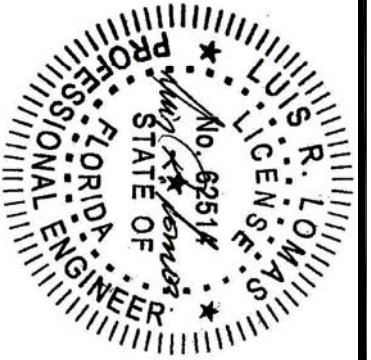


VERTICAL CROSS SECTION WITH FIN ADAPTER

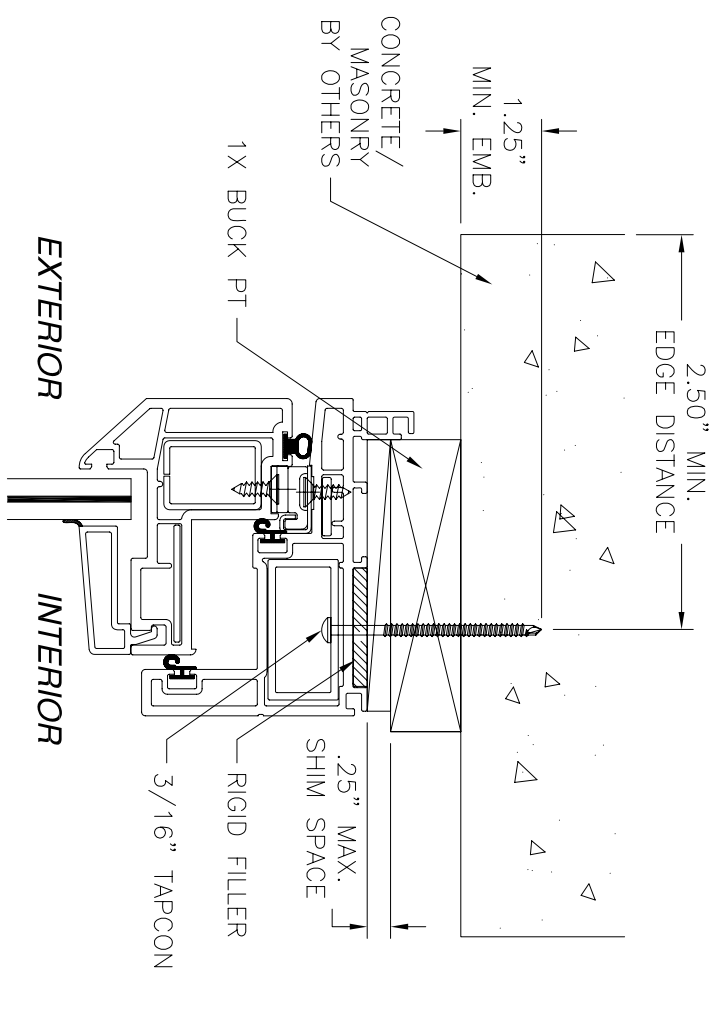


VERTICAL CROSS SECTION WITH FLANGE REMOVED FOR BOX FRAME INSTALLATION

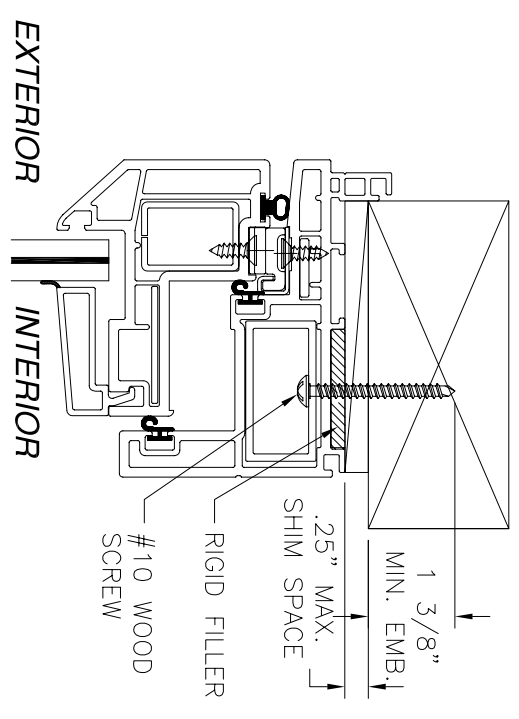
PGT INDUSTRIES 1070 TECHNOLOGY DRIVE NOKOMIS, FL 34275			
CA2840 CASEMENT PVC WINDOW 36 X 76 CROSS SECTIONS AND B.O.M.			
DRAWN: R.L.	DWG. NO. 08-00853	REV	
SCALE NTS	DATE 09/02/09	SHEET 2 OF 5	



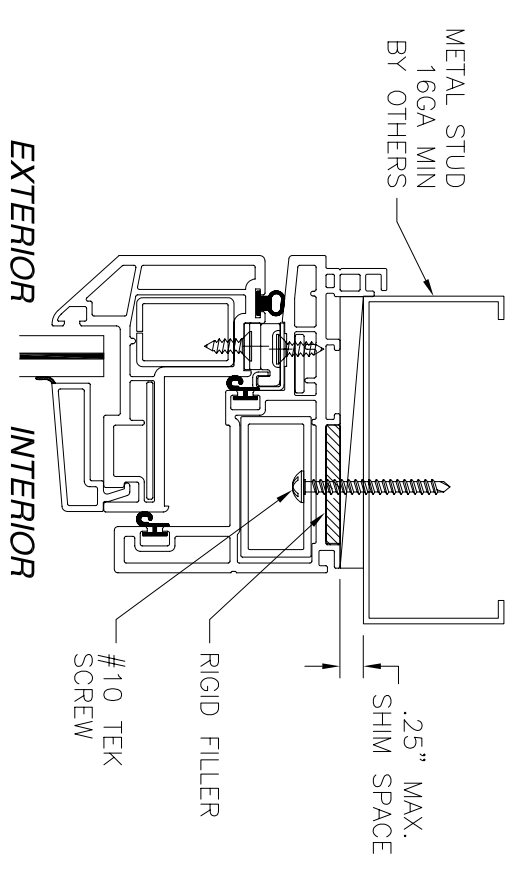
REVISIONS			
REV	DESCRIPTION	DATE	APPROVED



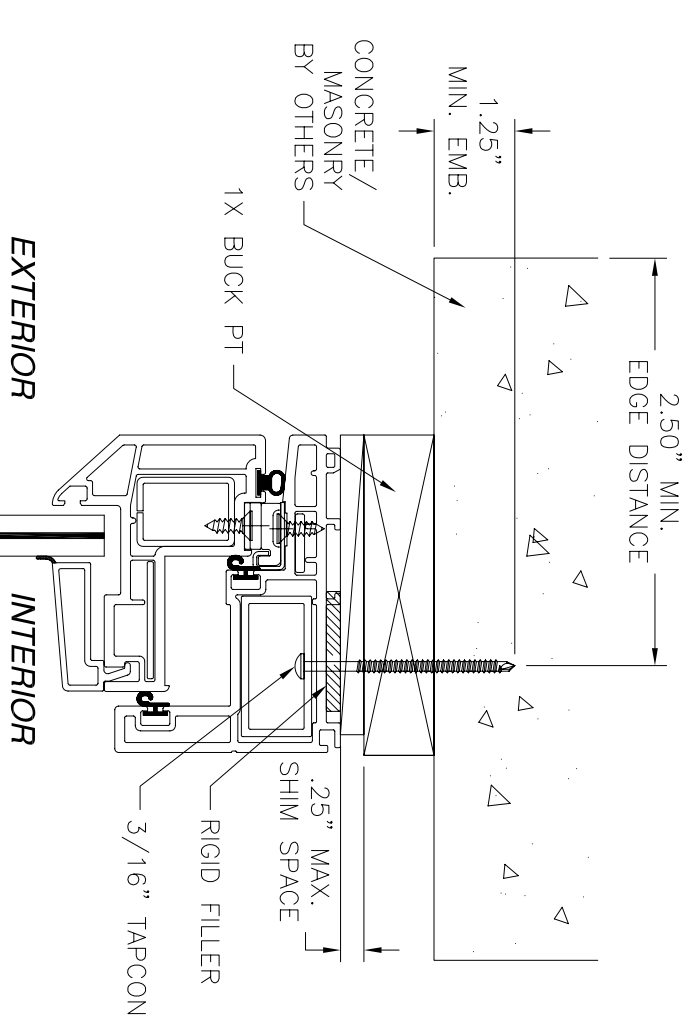
CONCRETE/MASONRY FLANGE INSTALLATION
HEAD SHOWN, JAMBS AND SILL SIMILAR



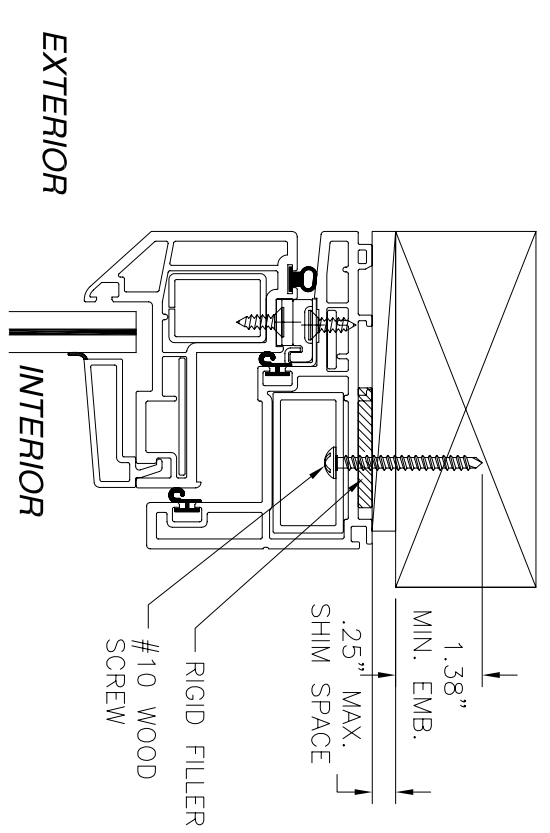
WOOD FRAMING OR 2X BUCK FLANGE INSTALLATION
HEAD SHOWN, JAMBS AND SILL SIMILAR



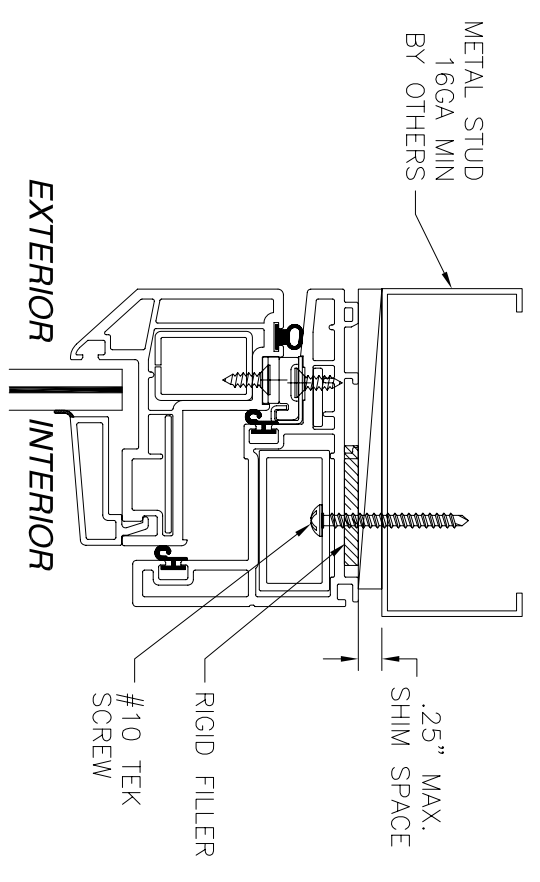
METAL FRAMING BOX FRAME INSTALLATION
HEAD SHOWN, JAMBS AND SILL SIMILAR



CONCRETE/MASONRY BOX FRAME INSTALLATION
HEAD SHOWN, JAMBS AND SILL SIMILAR

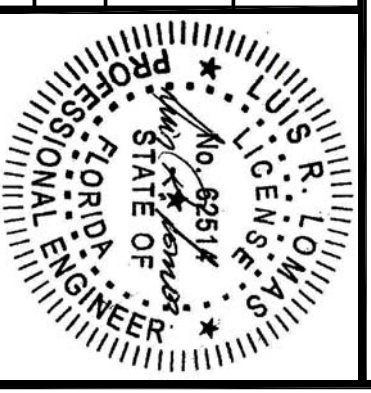


WOOD FRAMING OR 2X BUCK BOX FRAME INSTALLATION
HEAD SHOWN, JAMBS AND SILL SIMILAR

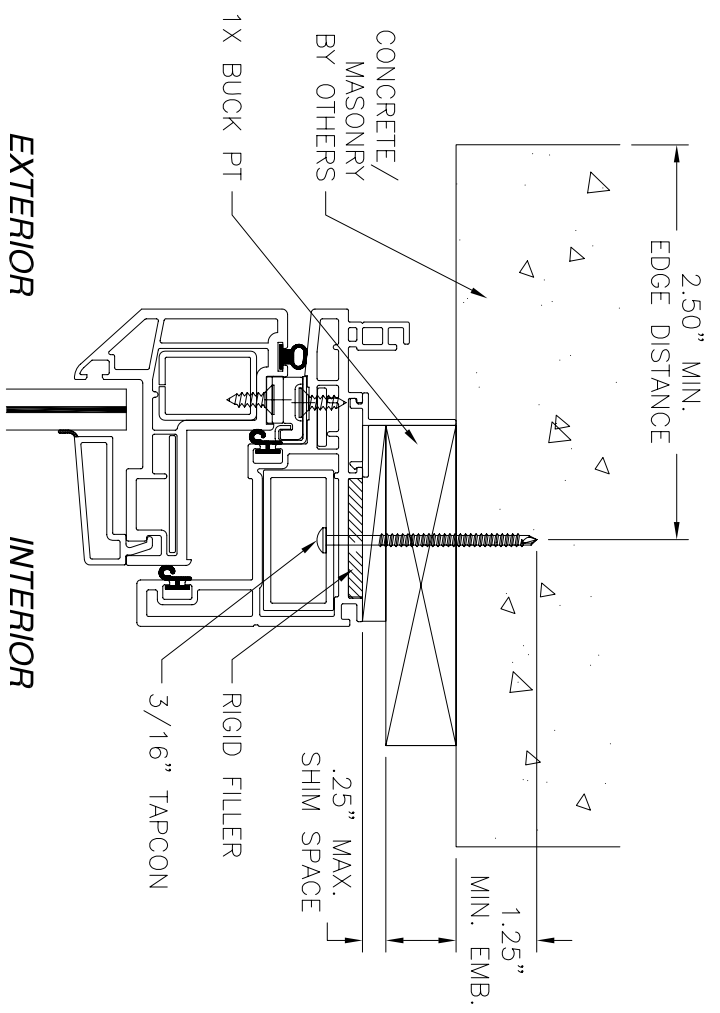


METAL FRAMING BOX FRAME INSTALLATION
HEAD SHOWN, JAMBS AND SILL SIMILAR

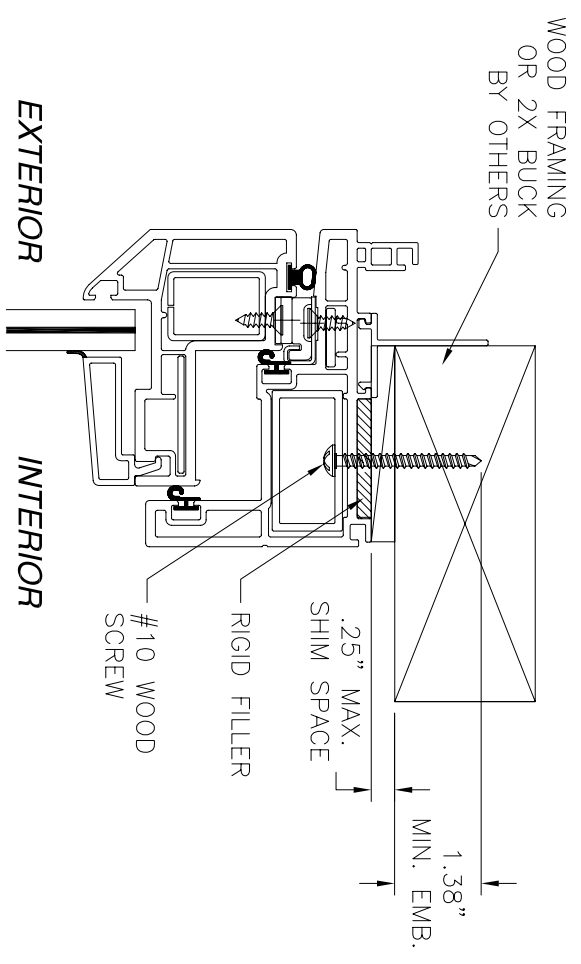
<p>PGT INDUSTRIES 1070 TECHNOLOGY DRIVE NOKOMIS, FL 34275</p>		<p>DWG. NO. 08-00853</p>	<p>REV</p>
<p>CA2840 CASEMENT PVC WINDOW 36 X 76 INSTALLATION DETAILS</p>			
<p>DRAWN: R.L.</p>	<p>DATE 09/02/09</p>	<p>SHEET 3 OF 5</p>	<p>SCALE NTS</p>



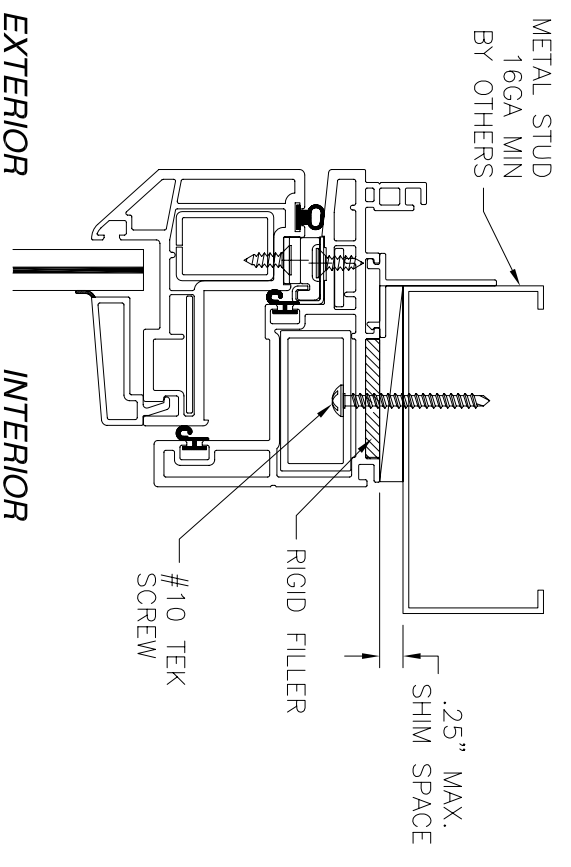
REVISIONS			
REV	DESCRIPTION	DATE	APPROVED



HEAD
CONCRETE/MASONRY FIN INSTALLATION
HEAD SHOWN, JAMBS AND SILL SIMILAR

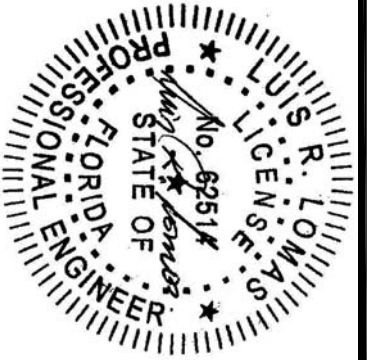


HEAD
WOOD FRAMING OR 2X BUCK FIN INSTALLATION
HEAD SHOWN, JAMBS AND SILL SIMILAR

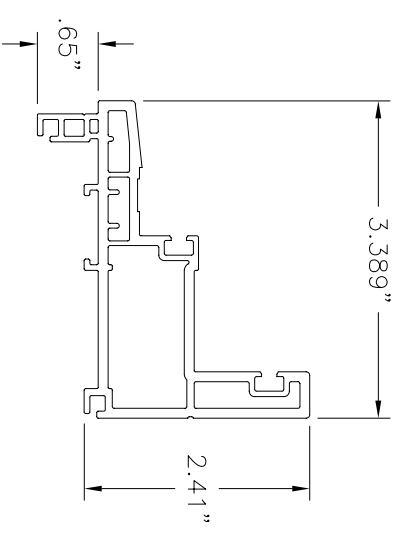


HEAD
METAL FRAMING FIN INSTALLATION
HEAD SHOWN, JAMBS AND SILL SIMILAR

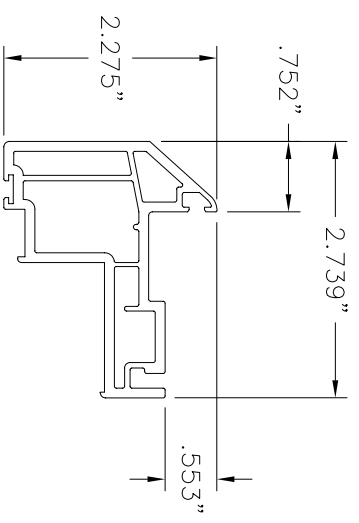
<p align="center">PGT INDUSTRIES 1070 TECHNOLOGY DRIVE NOKOMIS, FL 34275</p>			
<p align="center">CA2840 CASEMENT PVC WINDOW 36 X 76 INSTALLATION DETAILS</p>			
DRAWN: R.L.	DWG. NO. 08-00853	REV	
SCALE NTS	DATE 09/02/09	SHEET 4 OF 5	



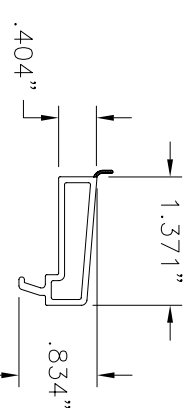
REVISIONS			
REV	DESCRIPTION	DATE	APPROVED



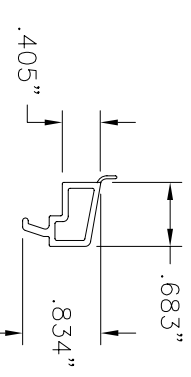
1 **FRAME**
VINYL PVC .105" THICK



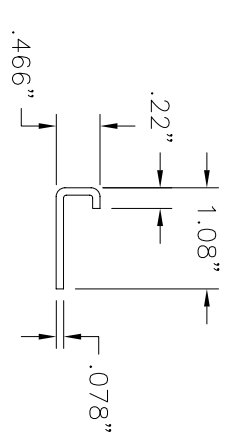
2 **SASH FRAME**
VINYL PVC .105" THICK



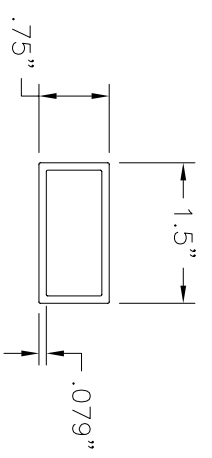
3 **GLAZING BEAD**
PVC .06" THICK



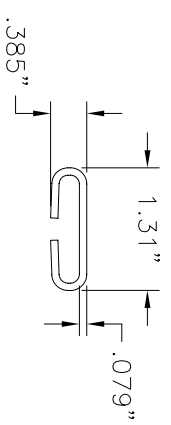
3 **GLAZING BEAD**
PVC .06" THICK



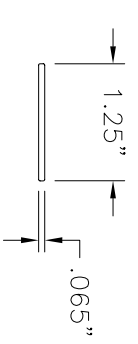
14 **REINFORCEMENT**
ALUMINUM 6063-T5



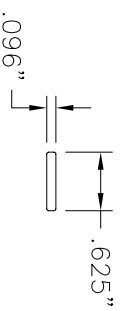
5 **REINFORCEMENT**
ALUMINUM 6063-T5



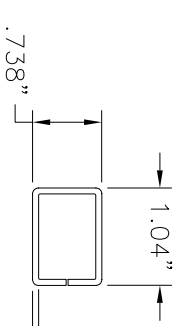
15 **REINFORCEMENT**
ALUMINUM 6063-T5



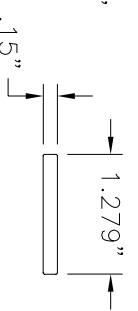
7 **STIFFENER**
ALUMINUM 6063-T5



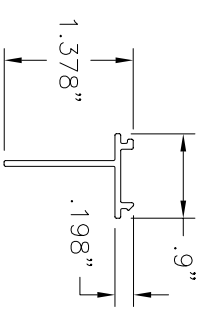
8 **STIFFENER**
ALUMINUM 6063-T5



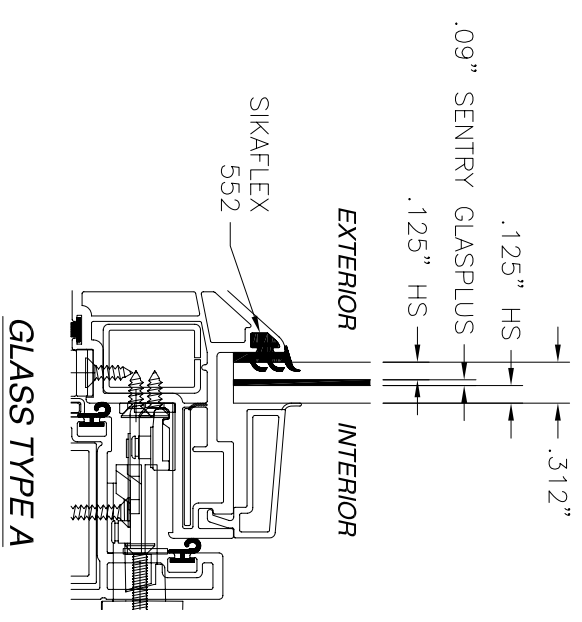
6 **REINFORCEMENT**
STEEL



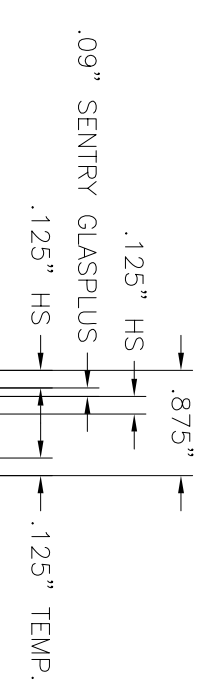
16 **RIGID FILLER**
VINYL PVC .15" THICK



17 **FIN ADAPTER**
VINYL PVC .062" THICK



GLASS TYPE A



GLASS TYPE B

PGT INDUSTRIES 1070 TECHNOLOGY DRIVE NOKOMIS, FL 34275			
CA2840 CASEMENT PVC WINDOW 36 X 76 GLAZING DETAILS AND COMPONENTS			
DRAWN: R.L.	DWG. NO. 08-00853	REV	
SCALE NTS	DATE 09/02/09	SHEET 5 OF 5	

