



DEPARTMENT OF PERMITTING, ENVIRONMENT, AND REGULATORY
AFFAIRS (PERA)
BOARD AND CODE ADMINISTRATION DIVISION

MIAMI-DADE COUNTY, FLORIDA
PRODUCT CONTROL SECTION
11805 SW 26th Street, Room 208
Miami, Florida 33175-2474
T (786) 315-2590 F (786) 315-2599

NOTICE OF ACCEPTANCE (NOA)

www.miamidadegov/pera/

PGT Industries, Inc.
1070 Technology Drive
North Venice, FL 34275

SCOPE:

This NOA is being issued under the applicable rules and regulations governing the use of construction materials. The documentation submitted has been reviewed and accepted by Miami-Dade County PERA -Product Control Section to be used in Miami-Dade County and other areas where allowed by the Authority Having Jurisdiction (AHJ).

This NOA shall not be valid after the expiration date stated below. The Miami-Dade County Product Control Section (In Miami-Dade County) and/ or the AHJ (in areas other than Miami-Dade County) reserve the right to have this product or material tested for quality assurance purposes. If this product or material fails to perform in the accepted manner, the manufacturer will incur the expense of such testing and the AHJ may immediately revoke, modify, or suspend the use of such product or material within their jurisdiction. PERA reserves the right to revoke this acceptance, if it is determined by Miami-Dade County Product Control Section that this product or material fails to meet the requirements of the applicable building code. This product is approved as described herein, and has been designed to comply with the Florida Building Code, including the High Velocity Hurricane Zone.

DESCRIPTION: Series "CA's-2740/ 2840 Vinyl" White PVC Casement Window - L.M.I.

APPROVAL DOCUMENT: Drawing No. **08-00886** titled "Series CA 2740 PVC Casement Window Impact & CA 2840 PVC Casement Window Impact", sheets 1 through 5 of 5, prepared by manufacturer, dated 10/21/09 with the latest revision "C" dated 10/26/11, prepared by PGT Industries, Inc., signed and sealed by Anthony Lynn Miller, P. E., bearing the Miami-Dade County Product Control Revision stamp with the Notice of Acceptance number and Expiration date by the Miami-Dade County Product Control Section.

MISSILE IMPACT RATING: Large and Small Missile Impact Resistant.

LABELING: Each unit shall bear a permanent label with the manufacturer's name or logo, city, state, model/ series and following statement: "Miami-Dade County Product Control Approved" unless otherwise noted herein.

RENEWAL of this NOA shall be considered after a renewal application has been filed and there has been no change in the applicable building code negatively affecting the performance of this product.

TERMINATION of this NOA will occur after the expiration date or if there has been a revision or change in the materials, use, and/or manufacture of the product or process. Misuse of this NOA as an endorsement of any product, for sales, advertising or any other purposes shall automatically terminate this NOA. Failure to comply with any section of this NOA shall be cause for termination and removal of NOA.

ADVERTISEMENT: The NOA number preceded by the words Miami-Dade County, Florida, and followed by the expiration date may be displayed in advertising literature. If any portion of the NOA is displayed, then it shall be done in its entirety.

INSPECTION: A copy of this entire NOA shall be provided to the user by the manufacturer or its distributors and shall be available for inspection at the job site at the request of the Building Official. This NOA revises NOA No. **09-1103.08** and consists of this page 1, evidence pages E-1 and E-2, as well as approval document mentioned above.

The submitted documentation was reviewed by **Jaime D. Gascon, P. E.**



J. Gascon
2/9/12

NOA No. 11-1114.22
Expiration Date: August 11, 2015
Approval Date: February 16, 2012
Page 1

NOTICE OF ACCEPTANCE: EVIDENCE SUBMITTED

A. DRAWINGS

1. Manufacturer's die drawings and sections.
(Submitted under NOA's No. 09-1103.08)
2. Drawing No. **08-00886** titled "Series CA 2740 PVC Casement Window Impact & CA 2840 PVC Casement Window Impact", sheets 1 through 5 of 5, prepared by manufacturer, dated 10/21/09 with the latest revision "C" dated 10/26/11, prepared by PGT Industries, Inc., signed and sealed by Anthony Lynn Miller, P. E.

B. TESTS

1. Test reports on:
 - 1) Air Infiltration Test, per FBC, TAS 202-94
 - 2) Uniform Static Air Pressure Test, Loading per FBC TAS 202-94
 - 3) Water Resistance Test, per FBC, TAS 202-94
 - 4) Large Missile Impact Test per FBC, TAS 201-94
 - 5) Cyclic Wind Pressure Loading per FBC, TAS 203-94
 - 6) Forced Entry Test, per FBC 2411 3.2.1, TAS 202-94Along with marked-up drawings and installation diagram of a PVC awning window, prepared by NCTL **210-3634-1** and NCTL **210-3634-2**, dated 12/28/07 and 05/30/08, all signed and sealed by Gerard J. Ferrara, P. E.
(Submitted under NOA No. 09-1103.08)

C. CALCULATIONS

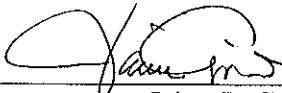
1. Anchor verification calculations and structural analysis, complying with FBC-2007, prepared by PGT Industries, Inc., dated 07/15/210, signed and sealed by Luis R. Lomas, P. E.
(Submitted under previous NOA No. 09-1103.08)
2. **Complies with ASTM E1300-02/ 04**

D. QUALITY ASSURANCE

1. Miami-Dade Department of Permitting, Environment, and Regulatory Affairs (PERA)

E. MATERIAL CERTIFICATIONS

1. Notice of Acceptance No. **11-0624.01** issued to **E.I. DuPont DeNemours & Co., Inc.** for their "**DuPont Butacite® PVB Interlayer**" dated 09/08/11, expiring on 12/11/16.
2. Notice of Acceptance No. **11-0624.02** issued to **E.I. DuPont DeNemours & Co., Inc.** for their "**DuPont SentryGlas® Interlayer**" dated 08/25/11, expiring on 01/14/17.



Jaime D. Gascon, P.E.

Product Control Section Supervisor
NOA No. 11-1114.22
Expiration Date: August 11, 2015
Approval Date: February 16, 2012

NOTICE OF ACCEPTANCE: EVIDENCE SUBMITTED

E. MATERIAL CERTIFICATIONS (CONTINUED)

3. Notice of Acceptance No. **11-0830.09** issued to Mikron Industries, Inc., for their "White Rigid PVC Exterior Extrusions for Windows and Doors" dated 10/6/11, expiring on 12/26/16.

F. STATEMENTS

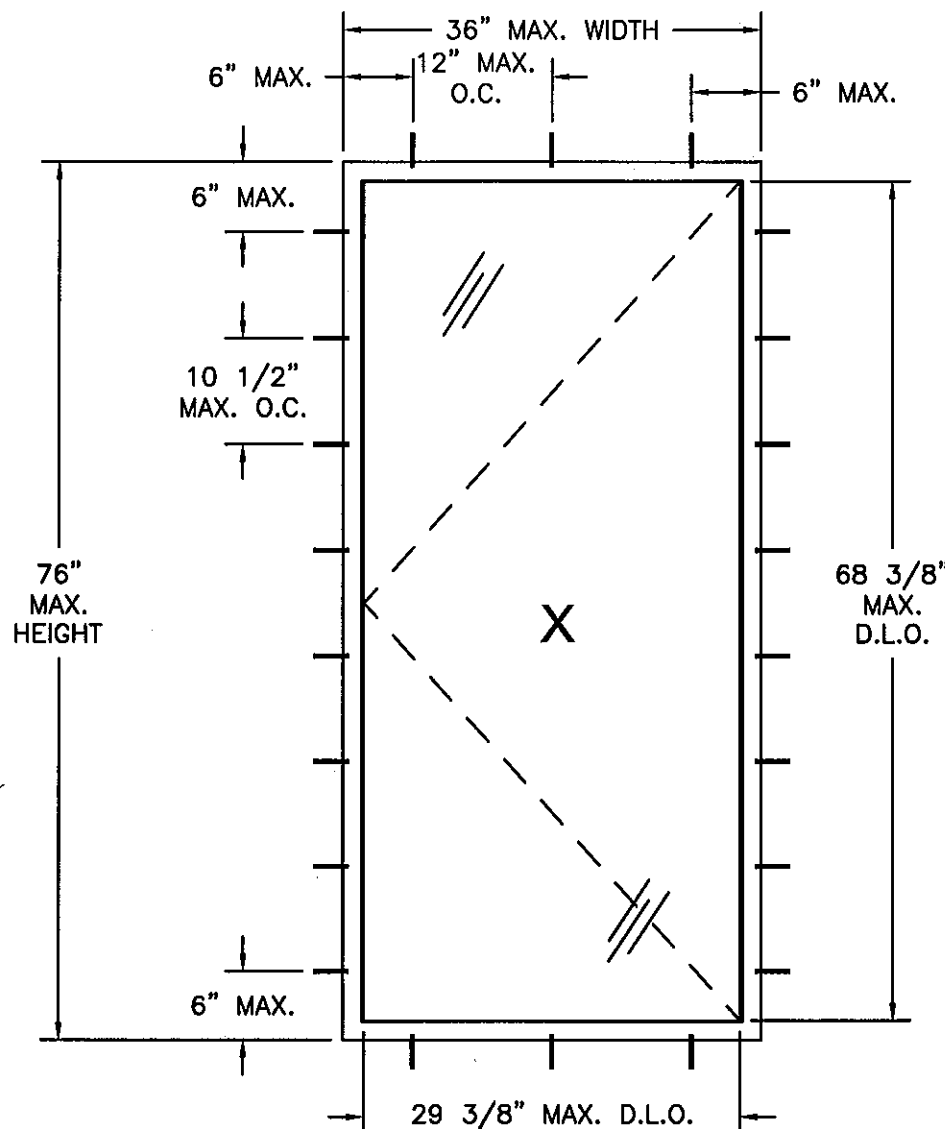
1. Statement letter of conformance and compliance with the FBC-2007 (with the 2009 supplement) and FBC-2010, dated 10/29/11, signed and sealed by Anthony Lynn Miller, P. E.
2. Statement letter of no financial interest and independence, dated 10/29/11, signed and sealed by Anthony Lynn Miller, P. E.
3. Letter of *Adoption of as his Own, the Work of another Engineer* per Section 61G15-27.001 of the F.B.P.E., dated 10/07/11 signed and sealed by Anthony Lynn Miller, P. E.
4. Statement letter of no financial interest, independence, conformance and compliance with the FBC-2007, dated 10/21/09, signed and sealed by Luis R. Lomas, P. E.
(Submitted under previous NOA No. 09-1103.08)
5. Laboratory addendum letter for Test Reports No.'s NCTL 210-3634-1 and NCTL 210-3634-2, issued by National Certified Testing Laboratories, Inc., dated 04/06/10, both signed and sealed by Gerard J. Ferrara, P. E.
(Submitted under previous NOA No. 09-1104.02)
6. Laboratory compliance letter for Test Reports No.'s NCTL 210-3634-1 and NCTL 210-3634-2, issued by National Certified Testing Laboratories, Inc., dated 12/04/07 and 05/28/08, both signed and sealed by Gerard J. Ferrara, P. E.
(Submitted under previous NOA No. 09-1103.08)

G. OTHERS

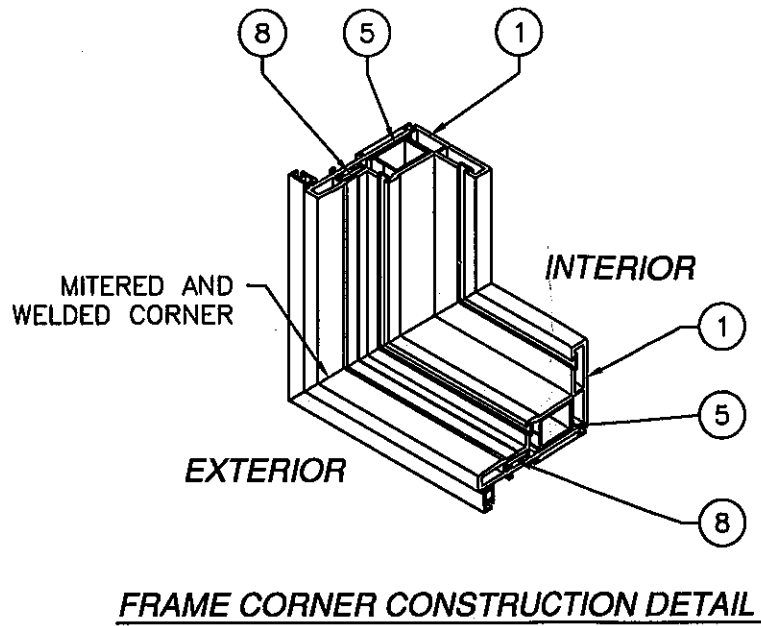
1. Notice of Acceptance No. **09-1103.08**, issued to PGT Industries, Inc. for their Series "CA-2740/ 2840" White PVC Casement Window - L.M.I.", approved on 08/11/10 and expiring on 08/11/15.



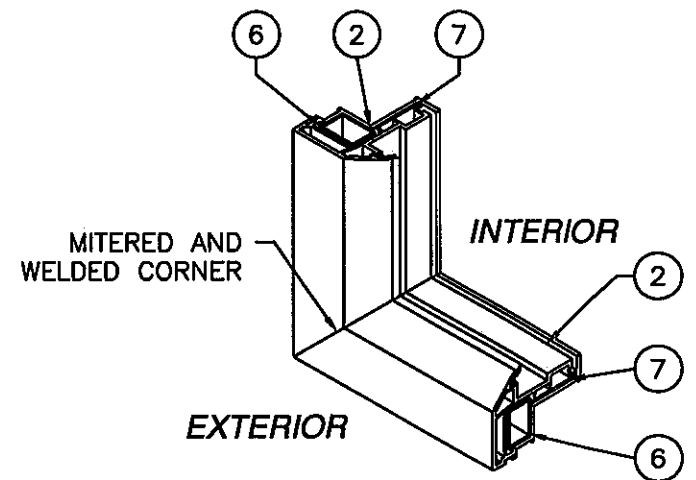
Jaime D. Gascon, P. E.
Product Control Section Supervisor
NOA No. 11-1114.22
Expiration Date: August 11, 2015
Approval Date: February 16, 2012



CA2740 AND CA2840 OS CASEMENT WINDOW
EXTERIOR VIEW



FRAME CORNER CONSTRUCTION DETAIL



SASH CORNER CONSTRUCTION DETAIL

REVISIONS			
REV	DESCRIPTION	DATE	APPROVED
A	PER DADE LETTER DATED 1-28-10	02/11/10	R.L.
B	ADDED "WHITE" TO ALL PVC	07/08/10	R.L.
C	2010 FBC UPDATE	10/26/11	J.J.

NOTES:

- 1) THE PRODUCT SHOWN HEREIN IS DESIGNED AND MANUFACTURED TO COMPLY WITH REQUIREMENTS OF THE FLORIDA BUILDING CODE.
- 2) WOOD FRAMING AND MASONRY OPENING TO BE DESIGNED AND ANCHORED TO PROPERLY TRANSFER ALL LOADS TO STRUCTURE. FRAMING AND MASONRY OPENING IS THE RESPONSIBILITY OF THE ARCHITECT OR ENGINEER OF RECORD.
- 3) UNITS MUST BE GLAZED PER ASTM E1300 SEE SHEET 5 FOR APPROVED GLASS TYPES.
- 4) APPROVED IMPACT PROTECTIVE SYSTEM IS NOT REQUIRED FOR THIS PRODUCT IN WIND-BORNE DEBRIS REGIONS.
- 5) SHIM AS REQUIRED AT EACH INSTALLATION ANCHOR WITH LOAD BEARING SHIM. SHIM WHERE SPACE OF 1/16" OR GREATER OCCURS. MAXIMUM ALLOWABLE SHIM STACK TO BE 1/4".
- 6) FOR INSTALLATION INTO WOOD FRAMING OR 2X BUCK USE #10 WOOD SCREW WITH SUFFICIENT LENGTH TO ACHIEVE A 1 3/8" MINIMUM EMBEDMENT INTO SUBSTRATE. LOCATE ANCHORS AS SHOWN IN ELEVATIONS AND INSTALLATION DETAILS.
- 7) FOR INSTALLATION INTO CONCRETE/MASONRY USE 3/16" ITW TAPCON WITH SUFFICIENT LENGTH TO ACHIEVE A 1 1/4" MINIMUM EMBEDMENT INTO SUBSTRATE AND 2 5/8" MINIMUM EDGE DISTANCE. LOCATE ANCHORS AS SHOWN IN ELEVATIONS AND INSTALLATION DETAILS.
- 8) FOR ANCHORING INTO METAL FRAMING USE #10 TEK SELF TAPPING SCREWS WITH SUFFICIENT LENGTH TO ACHIEVE A MINIMUM EMBEDMENT OF THREE THREADS PAST THE FRAME THICKNESS. LOCATE ANCHORS AS SHOWN IN ELEVATIONS AND INSTALLATION DETAILS.
- 9) ALL FASTENERS TO BE CORROSION RESISTANT.
- 10) INSTALLATION ANCHORS SHALL BE INSTALLED IN ACCORDANCE WITH ANCHOR MANUFACTURER'S INSTALLATION INSTRUCTIONS, AND ANCHORS SHALL NOT BE USED IN SUBSTRATES WITH STRENGTHS LESS THAN THE MINIMUM STRENGTH SPECIFIED BELOW:
 - A. WOOD - MINIMUM SPECIFIC GRAVITY OF G=0.42
 - B. CONCRETE - MINIMUM COMPRESSIVE STRENGTH OF 3,200 PSI.
 - C. MASONRY - STRENGTH CONFORMANCE TO ASTM C-90, GRADE N, TYPE 1 (OR GREATER).
 - D. METAL FRAMING - 16GA (.060") MINIMUM THICKNESS
- 11) ALLOWABLE STRESS INCREASE OF 1/3 WAS NOT USED IN THE DESIGN OF THE PRODUCT SHOWN HEREIN. WIND LOAD DURATION FACTOR Cd=1.6 WAS USED FOR WOOD ANCHOR CALCULATIONS.
- 12) FRAME AND SASH MATERIAL: EXTRUDED WHITE RIGID PVC .106" THICK.
- 13) UNITS MAY BE RIGHT HAND OR LEFT HAND.
- 14) CA2740 UNITS ARE GLAZED WITH BUTACITE PVB INTERLAYER, GLAZING TYPES A AND B.
CA2840 UNITS ARE GLAZED WITH SENTRY GLASPLUS INTERLAYER, GLAZING TYPES C AND D.
ALL OTHER COMPONENTS IN CA2740 AND CA2840 ARE SAME.

CA2740 WITH GLAZING TYPE A

DESIGN PRESSURE RATING	IMPACT RATING
+ 65.0 PSF - 80.0 PSF	LARGE AND SMALL MISSILE IMPACT

CA2840 WITH GLAZING TYPES C & D

DESIGN PRESSURE RATING	IMPACT RATING
+ 80.0 PSF - 120.0 PSF	LARGE AND SMALL MISSILE IMPACT

CA2740 WITH GLAZING TYPE B

DESIGN PRESSURE RATING	IMPACT RATING
+ 65.0 PSF - 70.0 PSF	LARGE AND SMALL MISSILE IMPACT

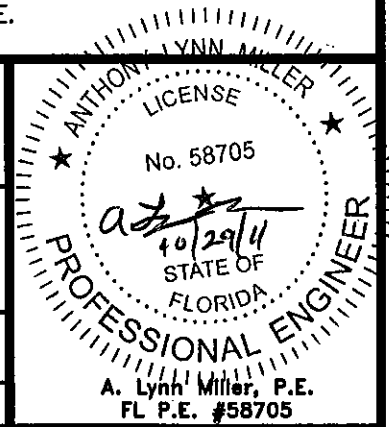
TABLE OF CONTENTS	
SHEET NO.	DESCRIPTION
1	ELEVATION, ANCHORING AND NOTES
2	BILL OF MATERIALS AND CROSS SECTIONS
3 - 4	INSTALLATION DETAILS
5	GLAZING DETAILS AND COMPONENTS

PRODUCT REVISED as complying with the Florida Building Code 11-1114.22
Acceptance No. 08/11/2015
By *[Signature]*
Miami Dade Product Control

PGT INDUSTRIES
1070 TECHNOLOGY DRIVE
NOKOMIS, FL 34275

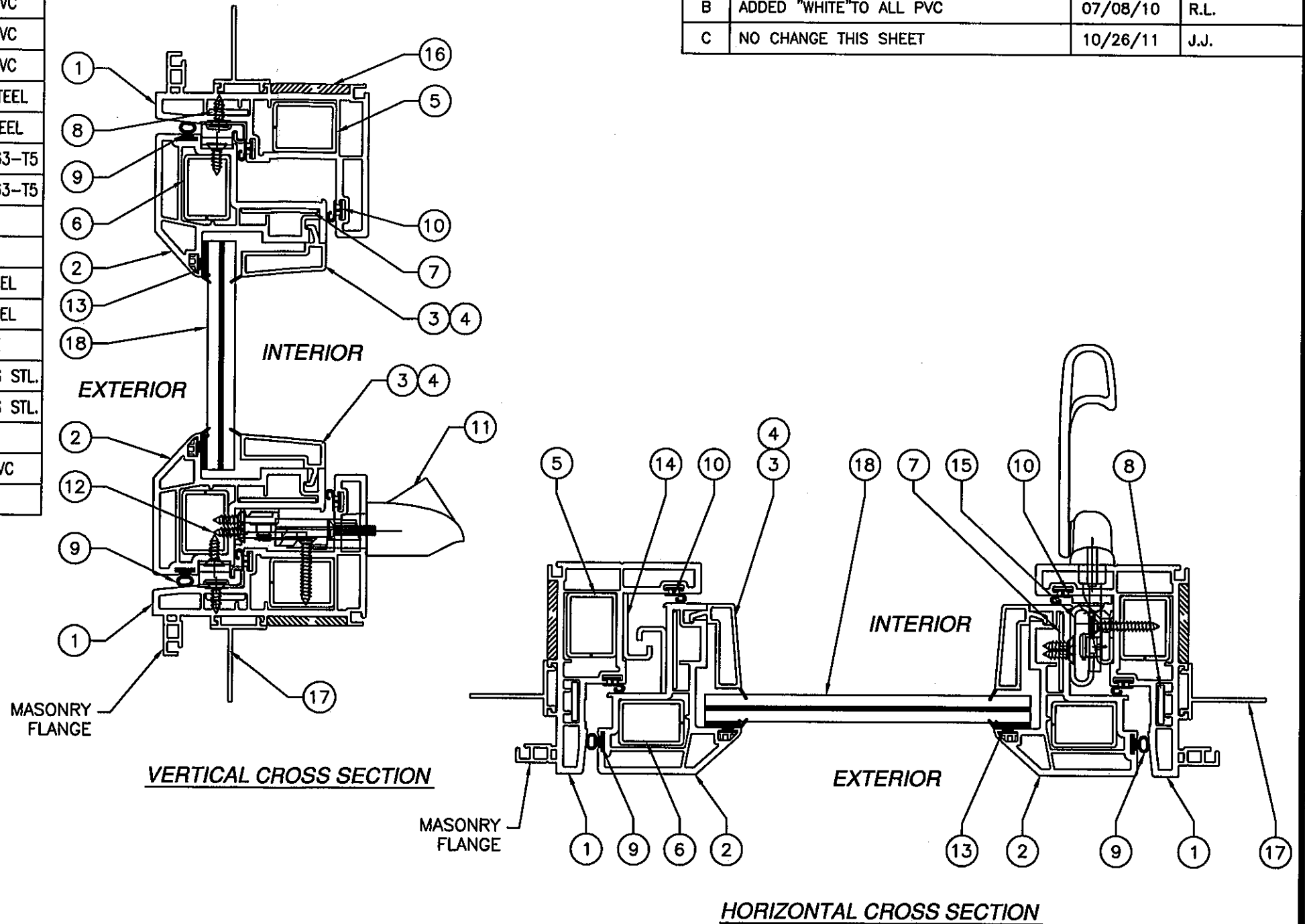
CA2740 OS WHITE PVC CASEMENT WINDOW IMPACT
CA2840 OS WHITE PVC CASEMENT WINDOW IMPACT
ELEVATION, ANCHORING AND NOTES

DRAWN: TJH	DWG NO. 08-00886	REV C
SCALE NTS	DATE 10/27/09	SHEET 1 OF 5



PARTS LIST				
NO.	PART NUMBER	DESCRIPTION	MANUFACTURER	MATERIAL
1	8290	FRAME HEAD, JAMB & SILL	LB PLASTICS INC.	WHITE RIGID PVC
2	8292-1	SASH TOP, BOTTOM & VERTICAL	LB PLASTICS INC.	WHITE RIGID PVC
3	8294	7/16" GLAZING BEAD	LB PLASTICS INC.	WHITE RIGID PVC
4	8213	I.G. GLAZING BEAD	LB PLASTICS INC.	WHITE RIGID PVC
5	ST1007B	FRAME REINFORCEMENT HOT DIPPED	HYGRADE	A653 GALV. STEEL
6	ST1007B	SASH REINFORCEMENT HOT DIPPED	HYGRADE	A653 GALV STEEL
7	OC-4952	SASH STIFFENER	EASTERN METALS	ALUMINUM 6063-T5
8	OC-4932	FRAME STIFFENER	EASTERN METALS	ALUMINUM 6063-T5
9	LBP-1375	BULB SEAL, SASH	REED RUBBER	65A TPV
10	LBP-1376	FRAME GASKET	REED RUBBER	65A TPV
11	OP06750200	X DRIVE DUAL ARM OPERATOR ASSY	ROTO HARDWARE	STAINLESS STEEL
12	DIHW8X3/4-410	#8 FH TEK SCREW	GLF TECHNICAL	STAINLESS STEEL
13	SIKAFLEX 552	GLAZING COMPOUND	SIKA	POLYURETHANE
14	NHC50038SS	SNUBBER	IPS	318 STAINLESS STL.
15	NHC50037SS	KEEPER	IPS	318 STAINLESS STL.
16	2NB-8K-038	RIGID FILLER DUROMETER 85	FRANK LOWE	NEOPRENE
17	8343	FIN ADAPTER	LB PLASTICS INC.	WHITE RIGID PVC
18		IMPACT GLAZING SEE SHEET 5		

REVISIONS			
REV	DESCRIPTION	DATE	APPROVED
A	PER DADE LETTER DATED 1-28-10	02/11/10	R.L.
B	ADDED "WHITE" TO ALL PVC	07/08/10	R.L.
C	NO CHANGE THIS SHEET	10/26/11	J.J.



CONSTRUCTION NOTES:

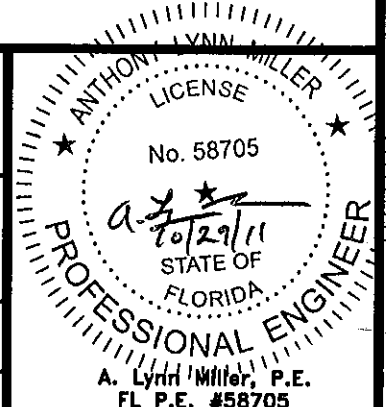
- 1) FRAME HEAD, JAMBS AND SILL ARE EXTRUDED RIGID WHITE PVC LINEALS AND UTILIZE A GALVANIZED A653 STEEL TUBE REINFORCING CHANNEL. ALL CORNERS ARE MITERED AND WELDED.
- 2) ACTIVE SASHES VERTICAL AND HORIZONTAL MEMBERS ARE EXTRUDED RIGID WHITE PVC LINEALS AND UTILIZE A GALVANIZED A653 STEEL REINFORCING TUBE. ALL CORNERS ARE MITERED AND WELDED.
- 3) ITEM #17, FIN ADAPTER, IS A NON-STRUCTURAL ADD-ON PART. MASONRY FLANGE IS EXTRUDED INTO FRAME. WHEN UNIT IS NOT INSTALLED INTO A MASONRY APPLICATION FLANGE MAY BE SCORED AND REMOVED BEFORE INSTALLATION. SEE INSTALLATION DETAILS SHEETS 3-4.
- 4) WHITE PVC EXTRUSIONS TO BE LABELED WITH AAMA EXTRUDED CODE, EXTRUDER NAME, CITY, STATE AND MDCA.

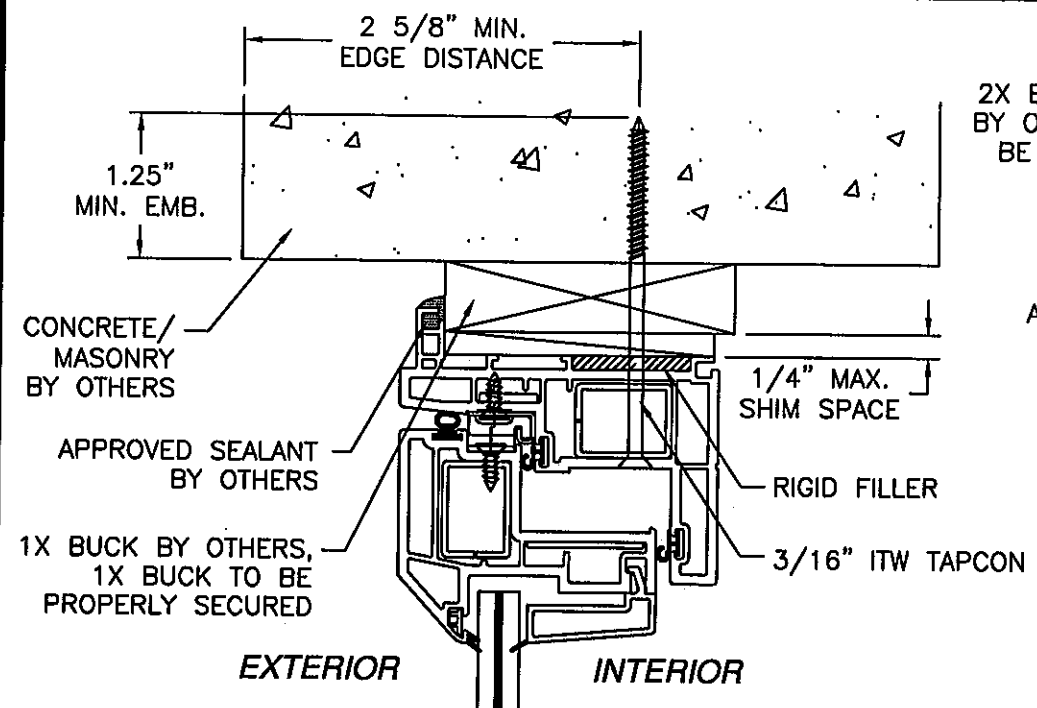
PRODUCT REVISED
 as complying with the Florida
 Building Code
 Acceptance No. 11-1114.22
 Expiration Date 08/11/2015
 By *[Signature]*
 Miami Dade Product Control

PGT INDUSTRIES
 1070 TECHNOLOGY DRIVE
 NOKOMIS, FL 34275

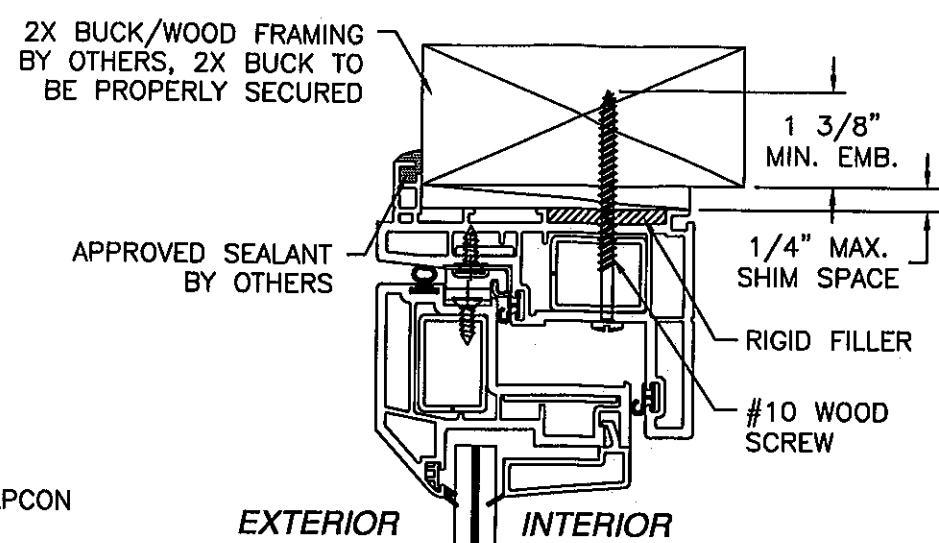
CA2740 OS WHITE PVC CASEMENT WINDOW IMPACT
 CA2840 OS WHITE PVC CASEMENT WINDOW IMPACT
 BILL OF MATERIALS AND CROSS SECTIONS

DRAWN: TJH	DWG NO. 08-00886	REV C
SCALE NTS	DATE 10/27/09	SHEET 2 OF 5

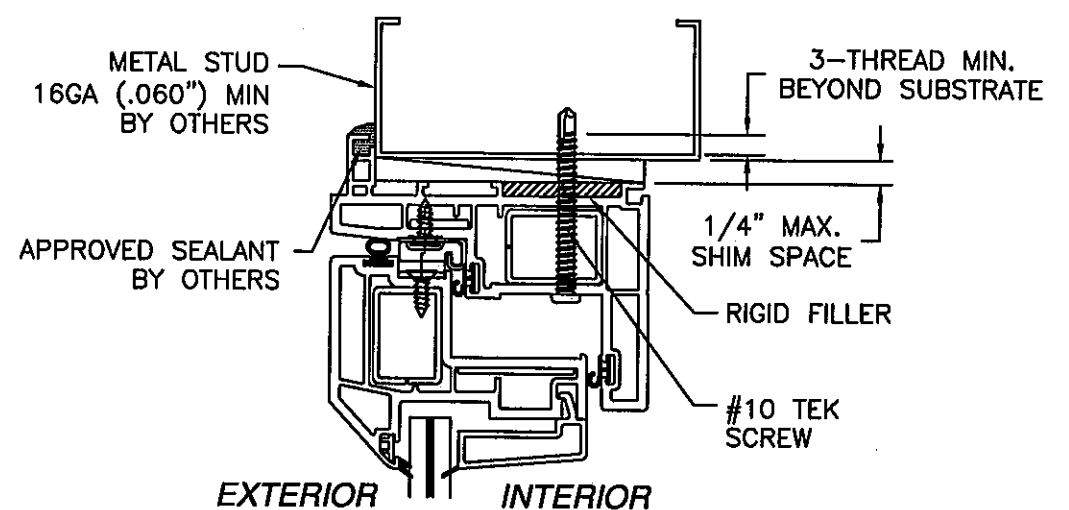




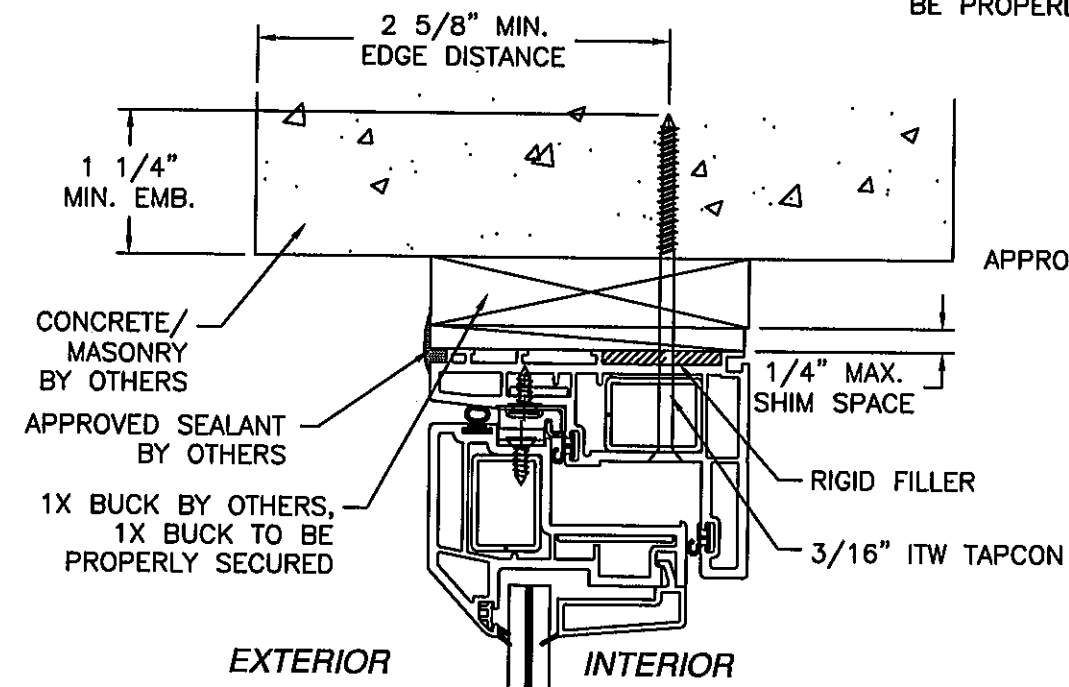
HEAD
CONCRETE/MASONRY FLANGE INSTALLATION
HEAD SHOWN, JAMBS AND SILL SIMILAR



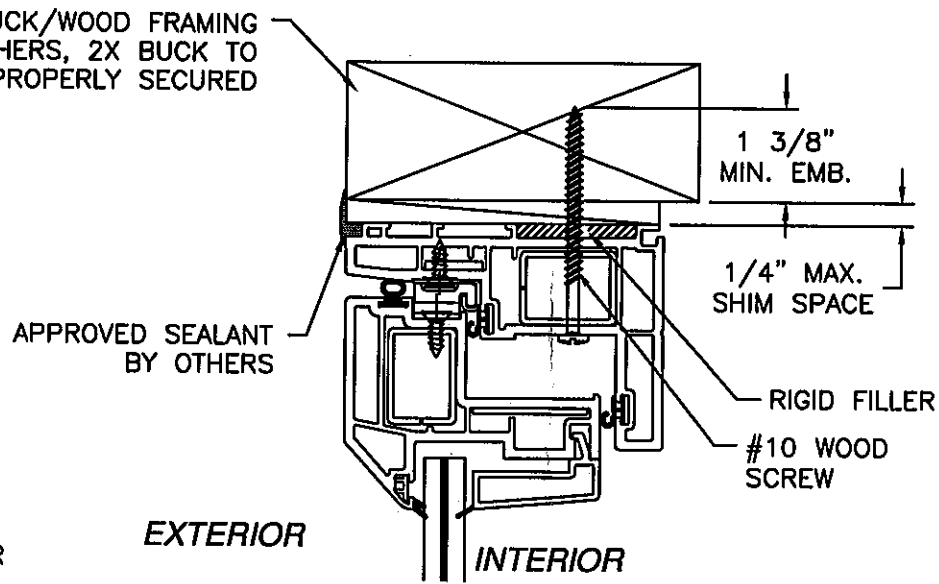
HEAD
WOOD FRAMING OR 2X BUCK FLANGE INSTALLATION
HEAD SHOWN, JAMBS AND SILL SIMILAR



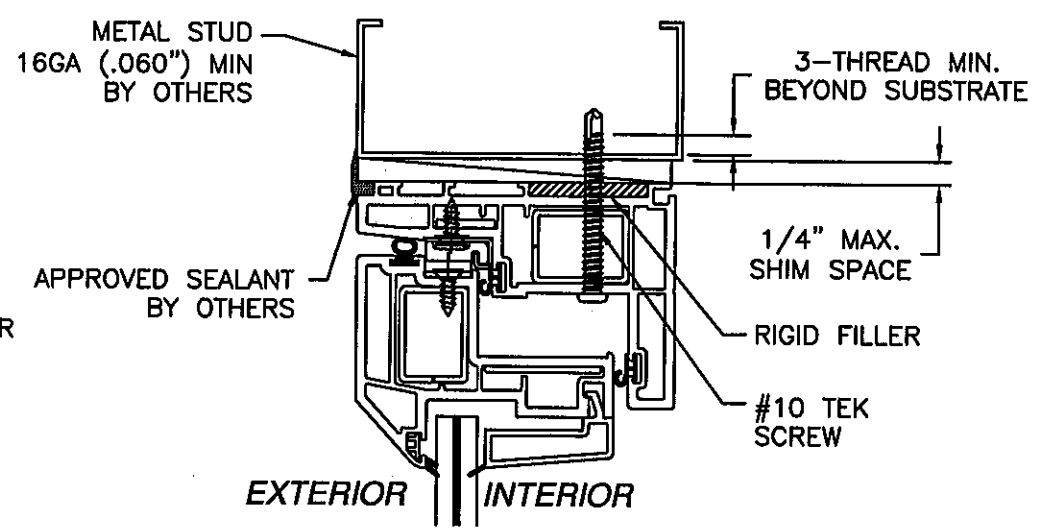
HEAD
METAL FRAMING FLANGE INSTALLATION
HEAD SHOWN, JAMBS AND SILL SIMILAR



HEAD
CONCRETE/MASONRY BOX FRAME INSTALLATION
HEAD SHOWN, JAMBS AND SILL SIMILAR



HEAD
WOOD FRAMING OR 2X BUCK BOX FRAME INSTALLATION
HEAD SHOWN, JAMBS AND SILL SIMILAR



HEAD
METAL FRAMING BOX FRAME INSTALLATION
HEAD SHOWN, JAMBS AND SILL SIMILAR

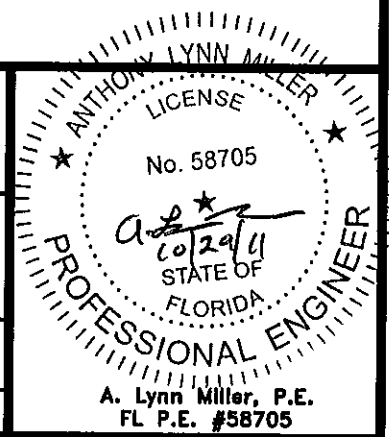
REVISIONS			
REV	DESCRIPTION	DATE	APPROVED
A	PER DADE LETTER DATED 1-28-10	02/11/10	R.L.
B	ADDED "WHITE" TO ALL PVC	07/08/10	R.L.
C	NO CHANGE THIS SHEET	10/26/11	J.J.

PRODUCT REVISED
as complying with the Florida
Building Code
Acceptance No. 11-1114-22
Expiration Date 08/11/2015
By *[Signature]*
Miami Dade Product Control

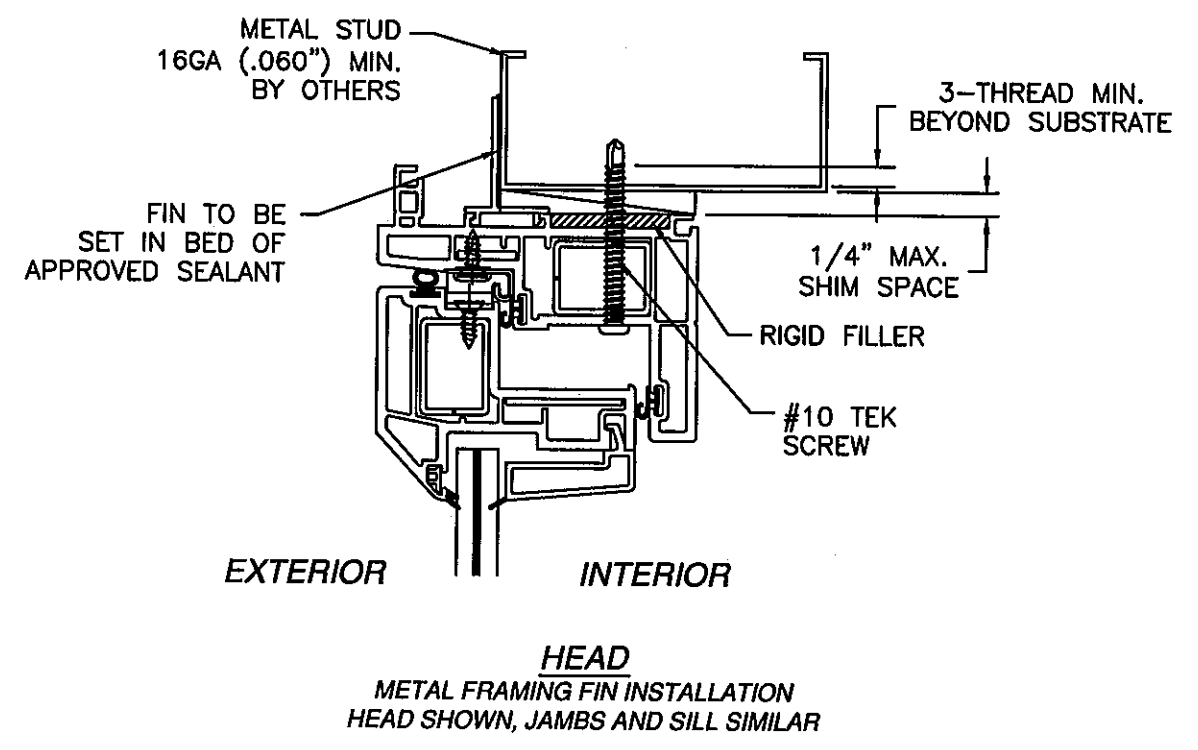
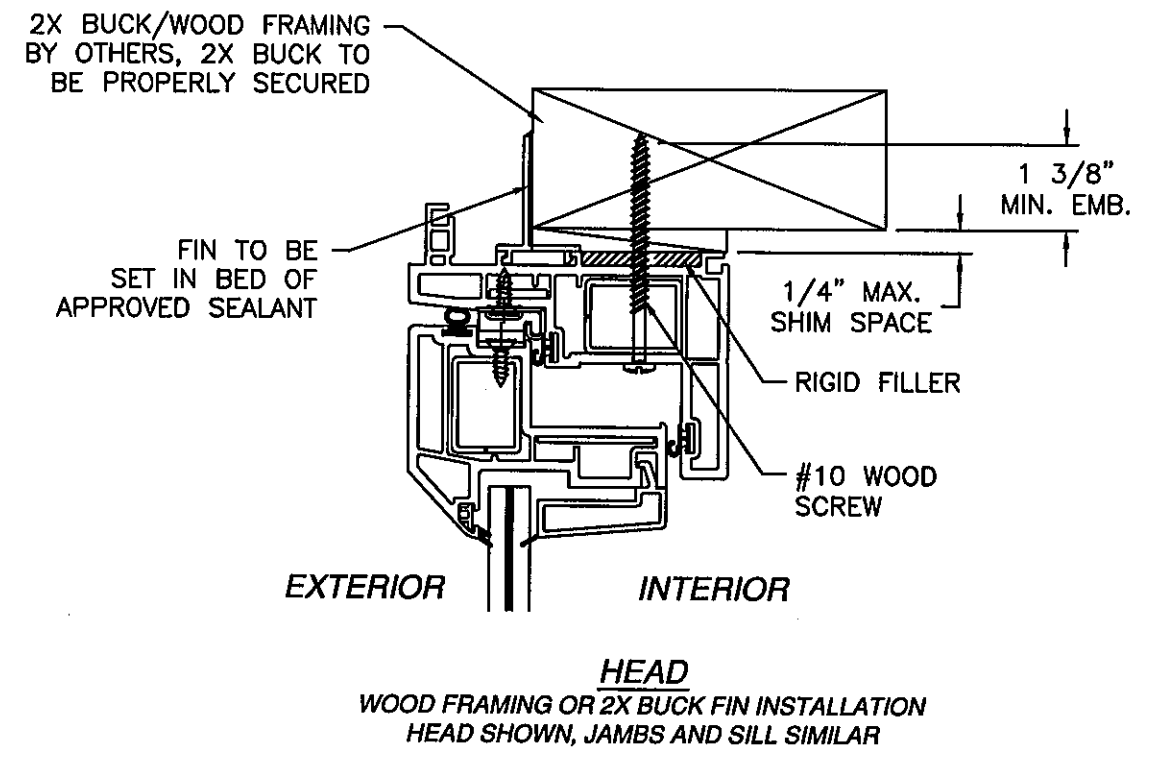
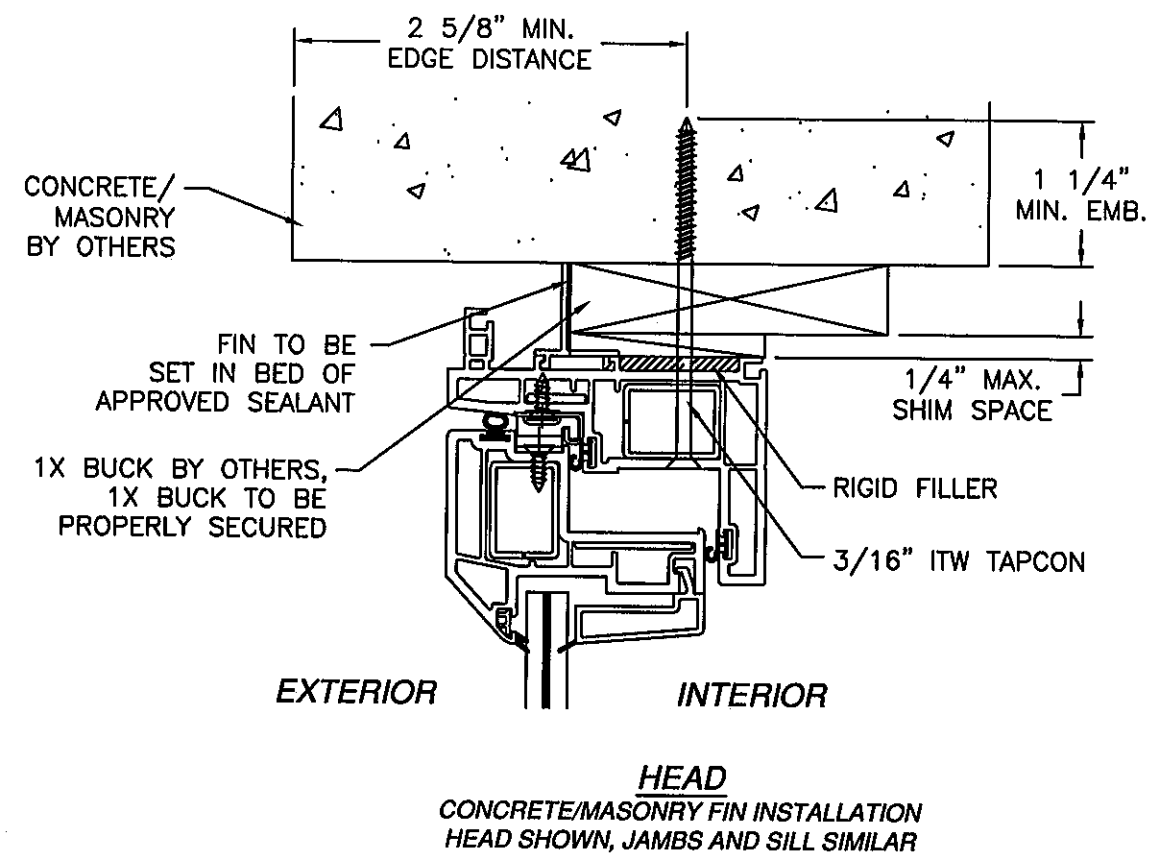
PGT INDUSTRIES
1070 TECHNOLOGY DRIVE
NOKOMIS, FL 34275

CA2740 OS WHITE PVC CASEMENT WINDOW IMPACT
CA2840 OS WHITE PVC CASEMENT WINDOW IMPACT
INSTALLATION DETAILS

DRAWN: TJH	DWG NO. 08-00886	REV C
SCALE NTS	DATE 10/27/09	SHEET 3 OF 5



REVISIONS			
REV	DESCRIPTION	DATE	APPROVED
A	PER DADE LETTER DATED 1-28-10	02/11/10	R.L.
B	ADDED "WHITE" TO ALL PVC	07/08/10	R.L.
C	NO CHANGE THIS SHEET	10/26/11	J.J.

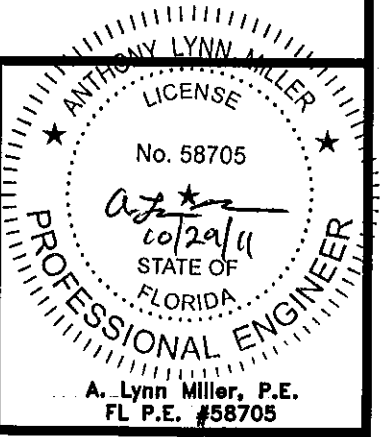


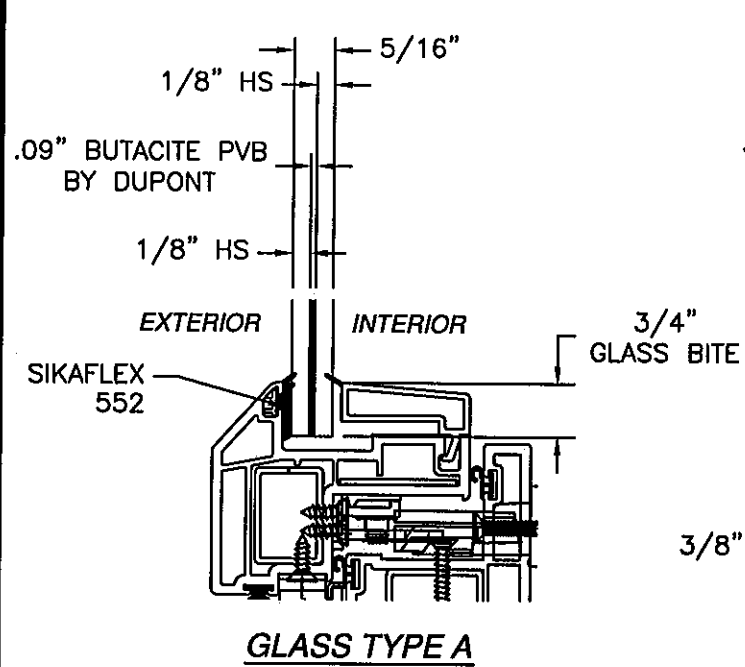
PRODUCT REVISED
as complying with the Florida
Building Code
Acceptance No. 11-1114-22
Expiration Date 08/11/2015
By *[Signature]*
Miami Dade Product Control

PGT INDUSTRIES
1070 TECHNOLOGY DRIVE
NOKOMIS, FL 34275

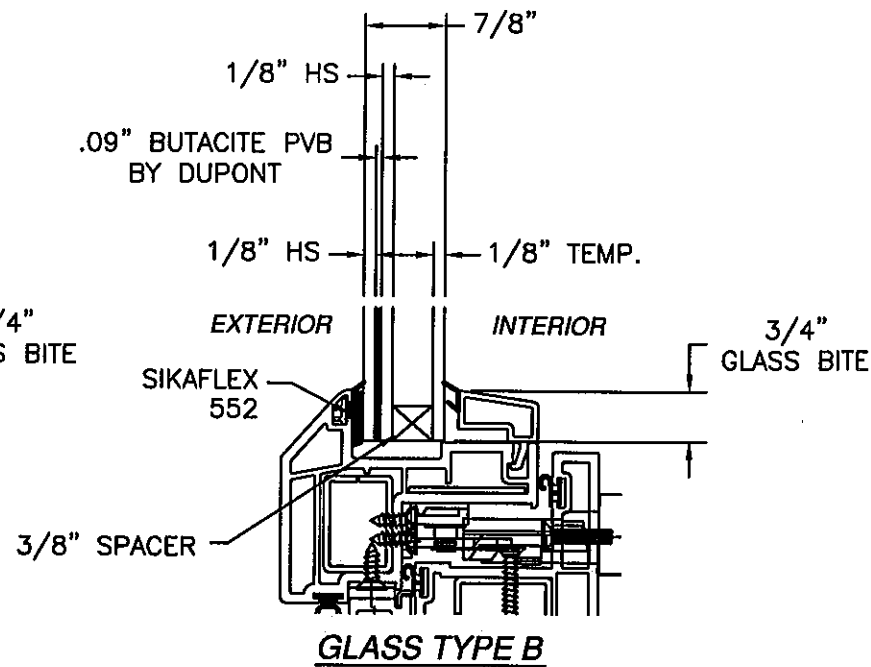
CA2740 OS WHITE PVC CASEMENT WINDOW IMPACT
CA2840 OS WHITE PVC CASEMENT WINDOW IMPACT
INSTALLATION DETAILS

DRAWN: TJH	DWG NO. 08-00886	REV C
SCALE NTS	DATE 10/27/09	SHEET 4 OF 5

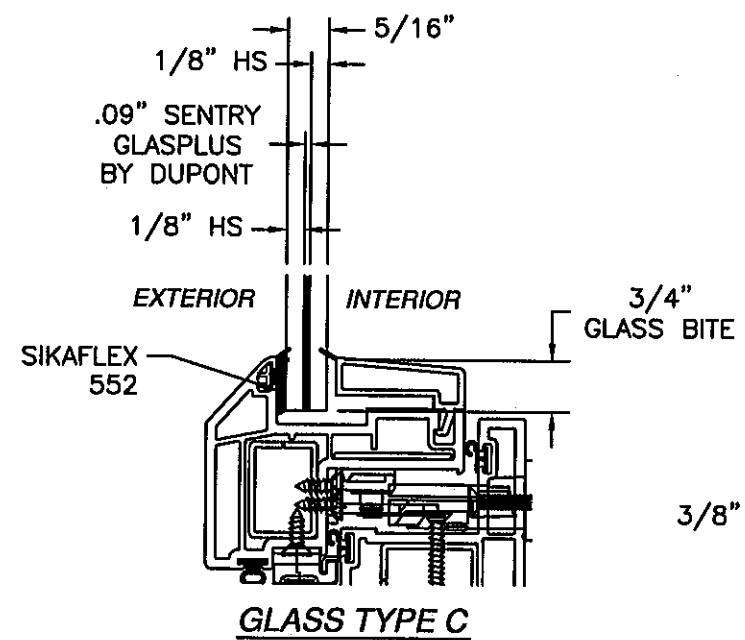




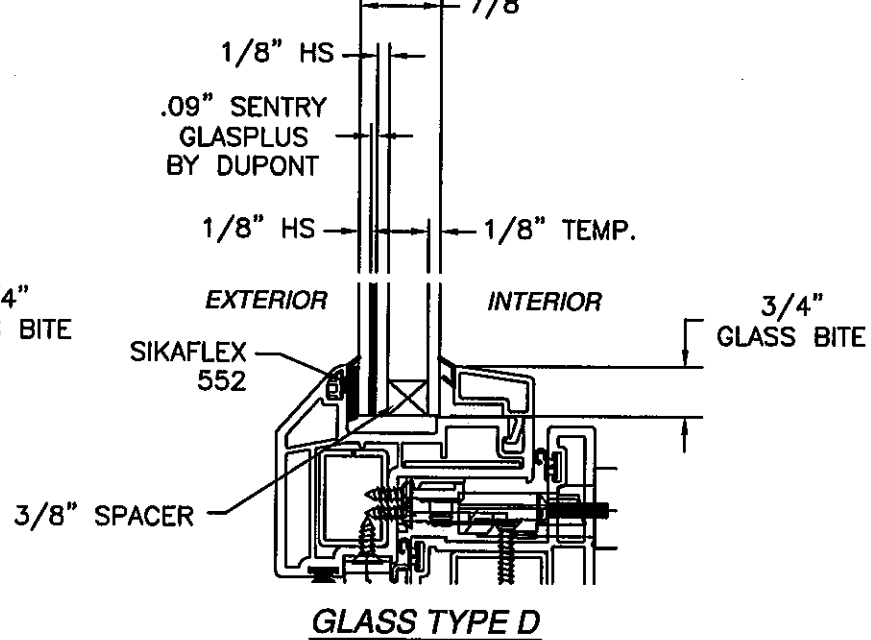
GLASS TYPE A



GLASS TYPE B

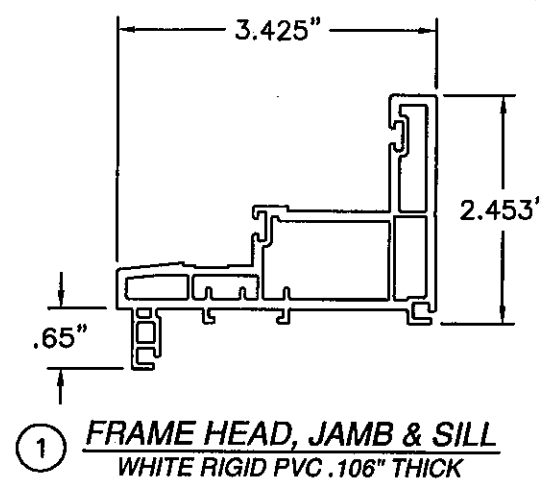


GLASS TYPE C

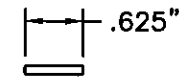


GLASS TYPE D

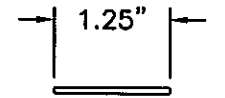
REVISIONS			
REV	DESCRIPTION	DATE	APPROVED
A	PER DADE LETTER DATED 1-28-10	02/11/10	R.L.
B	ADDED "WHITE" TO ALL PVC	07/08/10	R.L.
C	NO CHANGE THIS SHEET	10/26/11	J.J.



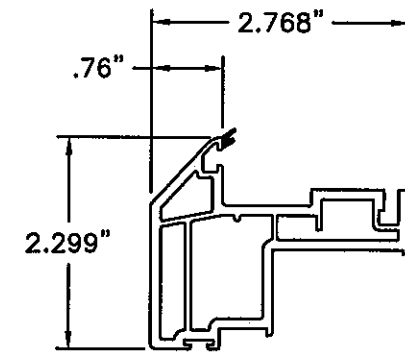
1 **FRAME HEAD, JAMB & SILL**
WHITE RIGID PVC .106" THICK



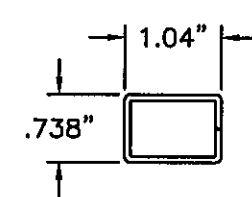
8 **FRAME STIFFENER**
ALUMINUM 6063-T5 .096" THICK



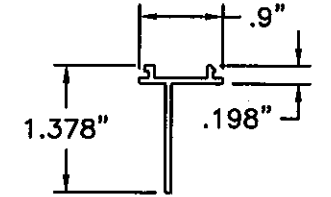
7 **SASH STIFFENER**
ALUMINUM 6063-T5 .065" THICK



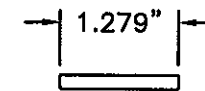
2 **SASH TOP, BOTTOM & VERTICAL**
WHITE RIGID PVC .106" THICK



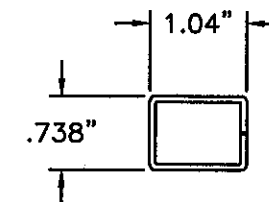
6 **SASH REINFORCEMENT**
16GA (.064") GALVANIZED STEEL A653



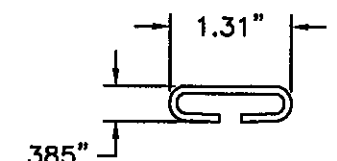
17 **FIN ADAPTER**
WHITE RIGID PVC .062" THICK



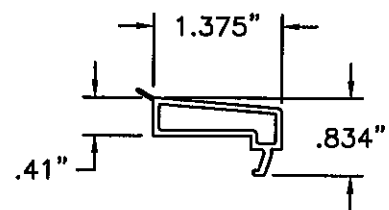
16 **RIGID FILLER**
DUROMETER 85
NEOPRENE .15" THICK



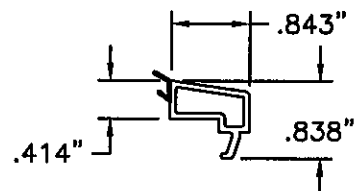
5 **FRAME REINFORCEMENT**
14GA (.079") GALVANIZED STEEL A653



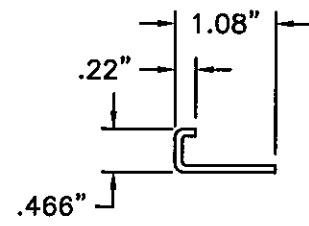
15 **KEEPER**
318 STAINLESS STEEL
.079" THICK



3 **7/16" GLAZING BEAD**
WHITE RIGID PVC .06" THICK



4 **I.G. GLAZING BEAD**
WHITE RIGID PVC .06" THICK



14 **SNUBBER**
318 STAINLESS STEEL
.078" THICK

PRODUCT REVISED
as complying with the Florida
Building Code
Acceptance No. **11-1114.22**
Expiration Date **08/11/2015**
By *[Signature]*
Miami Dade Product Control

PGT INDUSTRIES
1070 TECHNOLOGY DRIVE
NOKOMIS, FL 34275

CA2740 OS WHITE PVC CASEMENT WINDOW IMPACT
CA2840 OS WHITE PVC CASEMENT WINDOW IMPACT
GLAZING DETAILS AND COMPONENTS

DRAWN: TJH DWG NO. 08-00886 REV C

SCALE NTS DATE 10/27/09 SHEET 5 OF 5

