

2LT HR2710 HORIZONTAL ROLLER WINDOW
EXTERIOR VIEW

DESIGN PRESSURE RATING	IMPACT RATING
+ 60.0 PSF	LARGE AND SMALL MISSILE IMPACT
- 65.0 PSF	

TABLE OF CONTENTS	
SHEET NO.	DESCRIPTION
1	ELEVATION AND GENERAL NOTES
2 - 4	INSTALLATION DETAILS
5	COMPONENTS AND GLAZING DETAIL

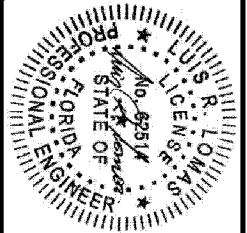
REVISIONS		
REV	DESCRIPTION	DATE

- NOTES:
- 1) THE PRODUCT SHOWN HEREIN IS DESIGNED AND MANUFACTURED TO COMPLY WITH THE CURRENT FLORIDA BUILDING CODE.
 - 2) WOOD FRAMING AND MASONRY OPENING TO BE DESIGNED AND ANCHORED TO PROPERLY TRANSFER ALL LOADS TO STRUCTURE. FRAMING AND MASONRY OPENING IS THE RESPONSIBILITY OF THE ARCHITECT OR ENGINEER OF RECORD.
 - 3) CONTRACTOR IS RESPONSIBLE FOR MAINTAINING STRUCTURAL INTEGRITY OF WINDOW OPENING AND ALL WOOD FRAMING AROUND WINDOW.
 - 4) UNITS MUST BE GLAZED PER ASTM E1300 SEE SHEET 5 FOR APPROVED GLASS.
 - 5) APPROVED IMPACT PROTECTIVE SYSTEM IS NOT REQUIRED FOR THIS PRODUCT IN WIND-BORNE DEBRIS REGIONS.
 - 6) SHIM AS REQUIRED AT EACH INSTALLATION ANCHOR WITH LOAD BEARING SHIM, SHIM WHERE SPACE OF 1/16" OR GREATER OCCURS. MAXIMUM ALLOWABLE SHIM STACK TO BE 1/4"
 - 7) FOR INSTALLATION INTO WOOD FRAMING OR 2X BUCK USE #10 WOOD SCREW WITH SUFFICIENT LENGTH TO ACHIEVE A 1 3/8" MINIMUM EMBEDMENT INTO SUBSTRATE. LOCATE ANCHORS AS SHOWN IN ELEVATIONS AND INSTALLATION DETAILS.
 - 8) FOR INSTALLATION INTO CONCRETE/MASONRY USE 3/16" 1TW TAPCON WITH SUFFICIENT LENGTH TO ACHIEVE A 1 1/4" MINIMUM EMBEDMENT INTO SUBSTRATE. LOCATE ANCHORS AS SHOWN IN ELEVATIONS AND INSTALLATION DETAILS.
 - 9) FOR ANCHORING INTO METAL FRAMING USE #10 TEK SELF TAPPING SCREWS WITH SUFFICIENT LENGTH TO ACHIEVE A MINIMUM EMBEDMENT OF THREE THREADS PAST THE FRAME THICKNESS. LOCATE ANCHORS AS SHOWN IN ELEVATIONS AND INSTALLATION DETAILS.
 - 10) ALL FASTENERS TO BE CORROSION RESISTANT.
 - 11) INSTALLATION ANCHORS SHALL BE INSTALLED IN ACCORDANCE WITH ANCHOR MANUFACTURER'S INSTALLATION INSTRUCTIONS, AND ANCHORS SHALL NOT BE USED IN SUBSTRATES WITH STRENGTHS LESS THAN THE MINIMUM STRENGTH SPECIFIED BELOW:
 - A. WOOD - MINIMUM SPECIFIC GRAVITY OF G=0.42
 - B. CONCRETE - MINIMUM COMPRESSIVE STRENGTH OF 3,200 PSI.
 - C. MASONRY - STRENGTH CONFORMANCE TO ASTM C-90, GRADE N, TYPE 1 (OR GREATER).
 - 12) ALLOWABLE STRESS INCREASE OF 1/3 WAS NOT USED IN THE DESIGN OF THE PRODUCT SHOWN HEREIN. WIND LOAD DURATION FACTOR CD=1.6 WAS USED FOR WOOD ANCHOR CALCULATIONS.
 - 13) FRAME AND SASH MATERIAL: RIGID PVC

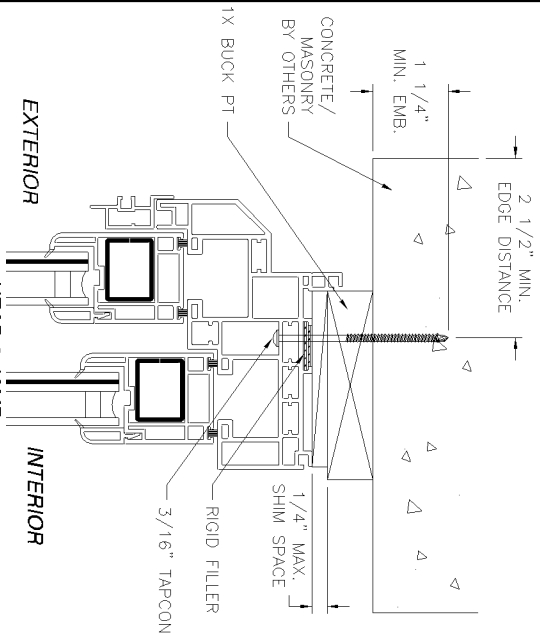
PGT INDUSTRIES
1070 TECHNOLOGY DRIVE
NOKOMIS, FL 34275

2LT HR2710 PVC HORIZONTAL ROLLER WINDOW
74 1/4" x 53 1/4"
ELEVATION AND GENERAL NOTES

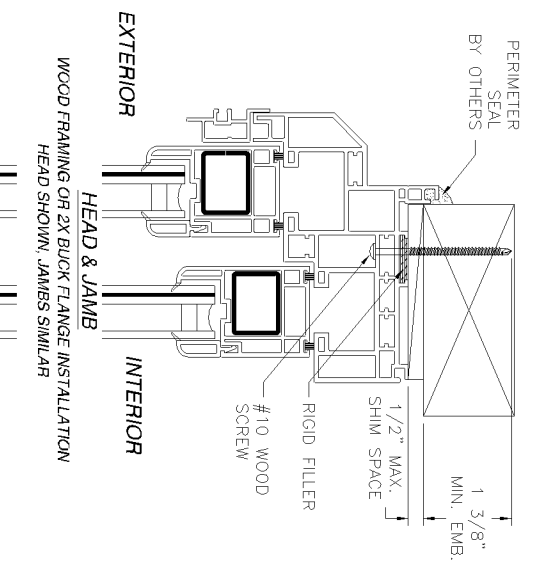
DRAWN: TJH
DWG NO.: 08-00838
SCALE: NTS
DATE: 09/01/09
SHEET: 1 OF 5



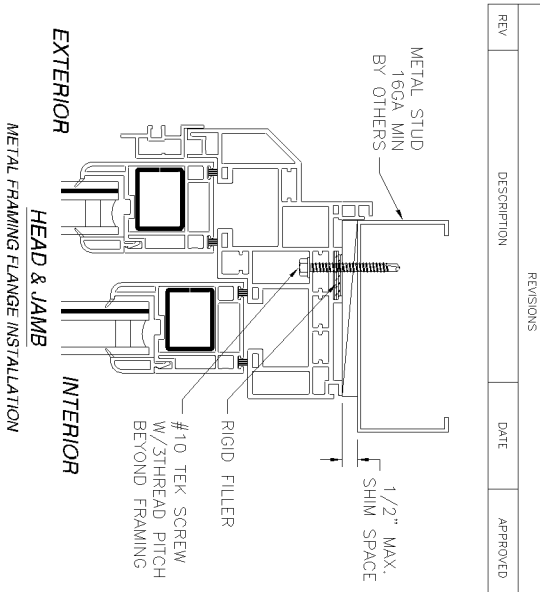
REV	DESCRIPTION	DATE	APPROVED
REVISIONS			



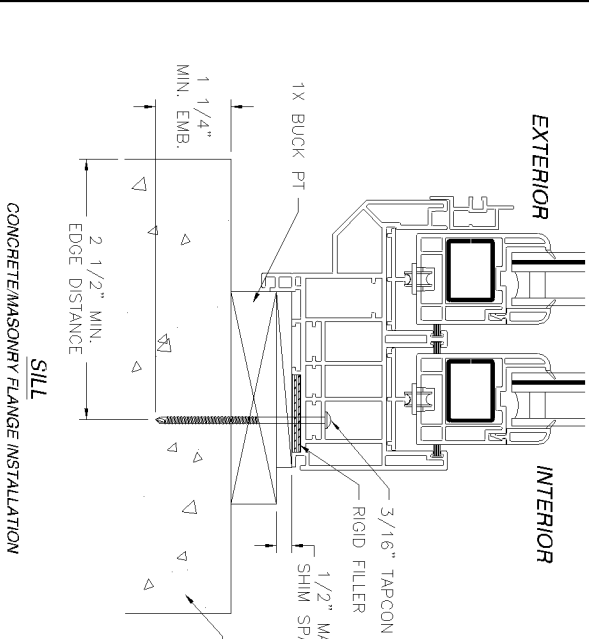
CONCRETE/MASONRY FLANGE INSTALLATION
HEAD SHOWN, JAMBS SIMILAR



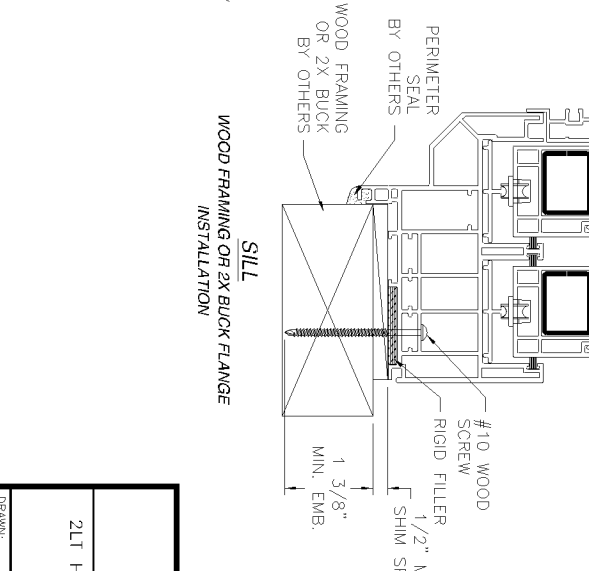
WOOD FRAMING OR 2X BUCK FLANGE INSTALLATION
HEAD SHOWN, JAMBS SIMILAR



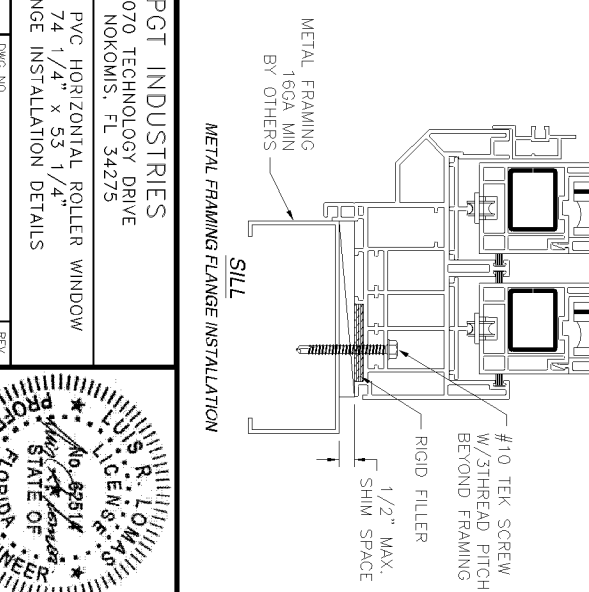
METAL FRAMING FLANGE INSTALLATION
HEAD SHOWN, JAMBS SIMILAR



CONCRETE/MASONRY FLANGE INSTALLATION



WOOD FRAMING OR 2X BUCK FLANGE INSTALLATION



METAL FRAMING FLANGE INSTALLATION

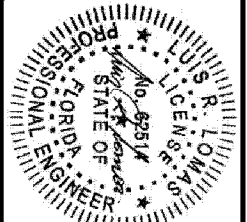
PGT INDUSTRIES
1070 TECHNOLOGY DRIVE
NOKOMIS, FL 34275

2LT HR2710 PVC HORIZONTAL ROLLER WINDOW
74 1/4" x 53 1/4"
FLANGE INSTALLATION DETAILS

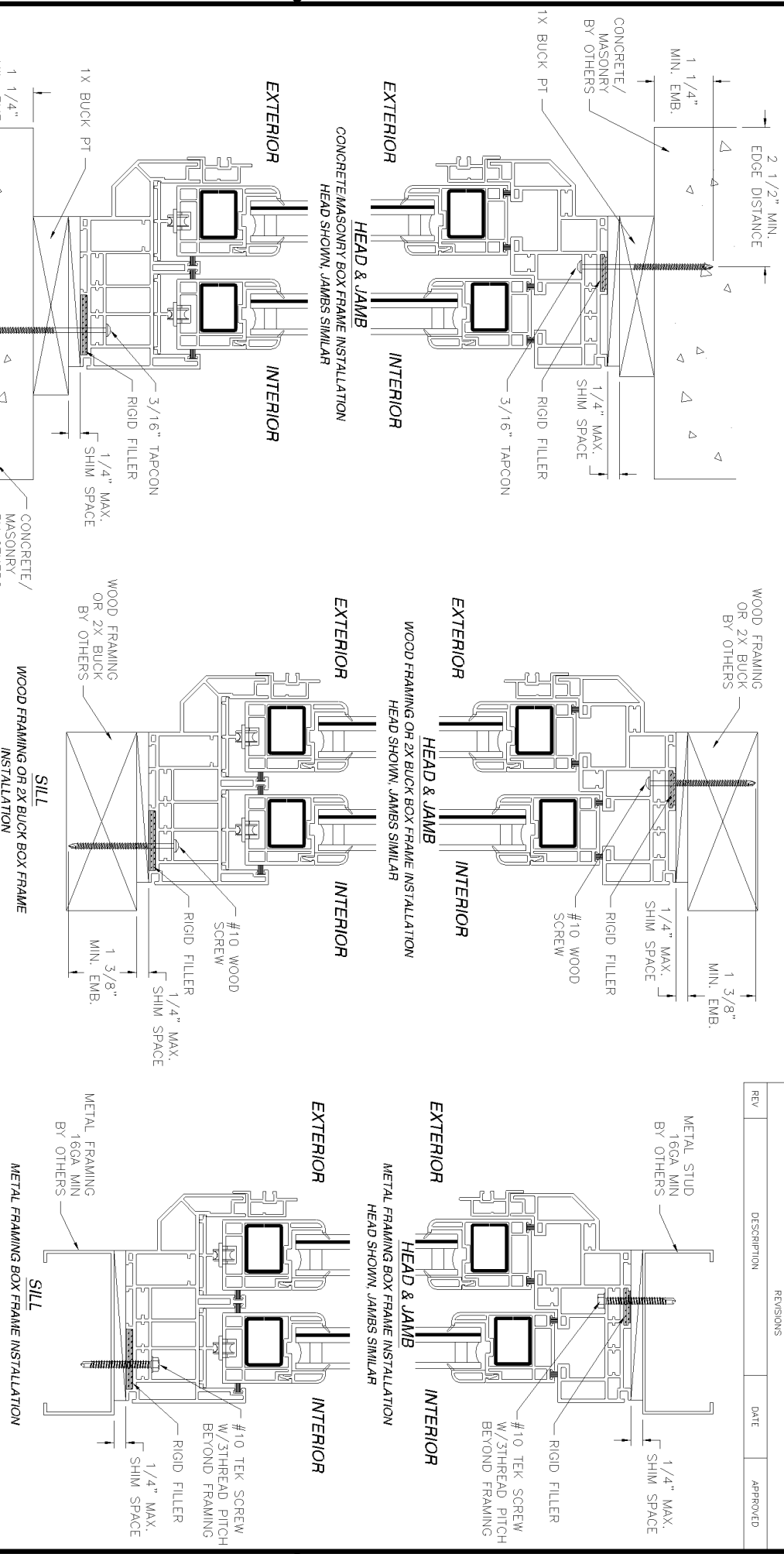
DWG. NO. 08-00838
DATE 09/01/09
SHEET 2 OF 5

SCALE NTS

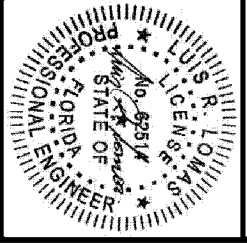
DRAWN: TJH
REV: -



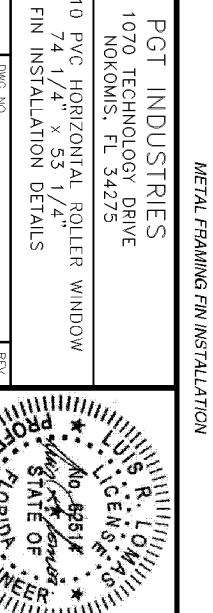
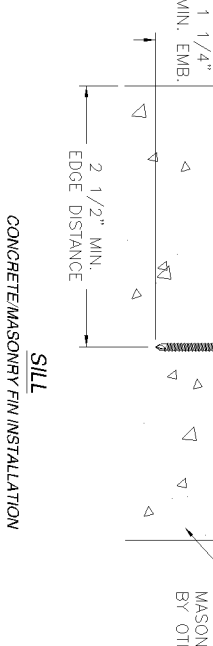
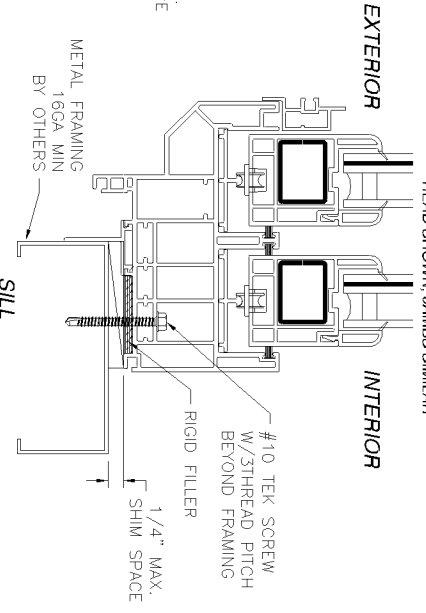
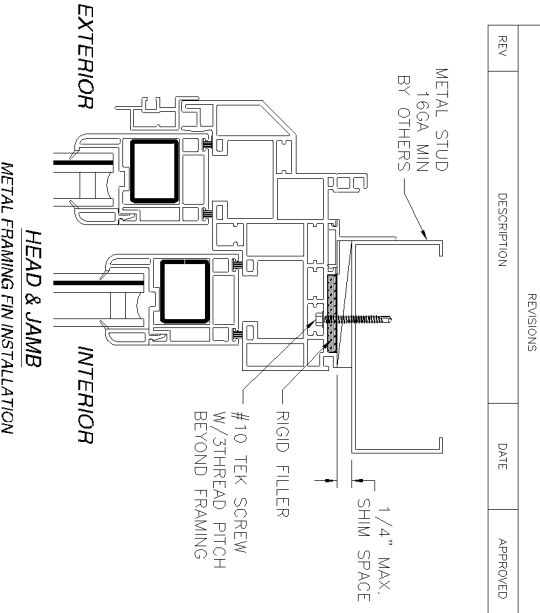
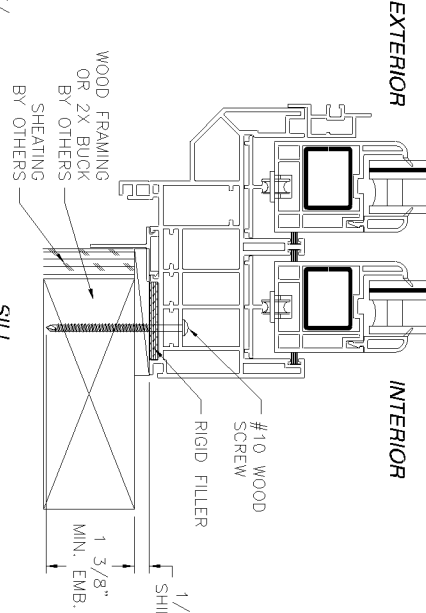
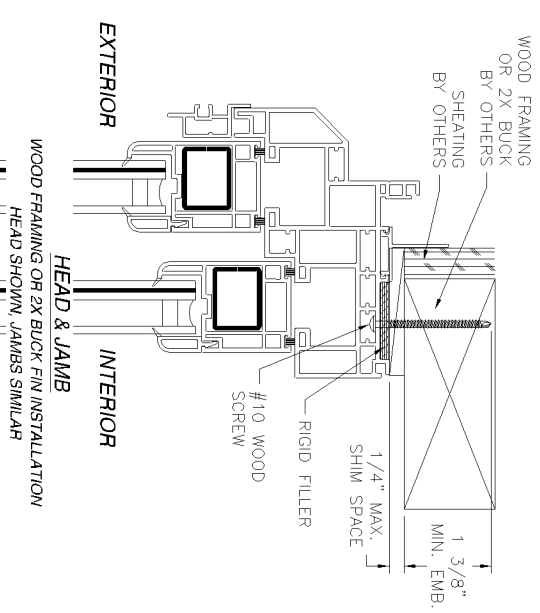
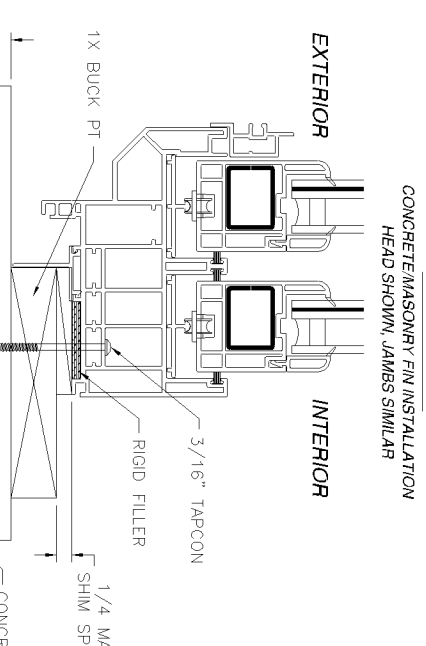
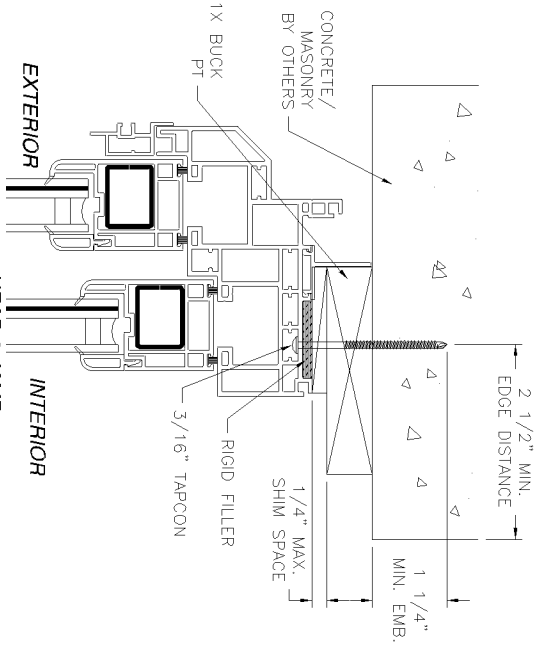
REV	DESCRIPTION	DATE	APPROVED
REVISIONS			



PGT INDUSTRIES	
1070 TECHNOLOGY DRIVE NOKOMIS, FL 34275	
2LT HR2710 PVC HORIZONTAL ROLLER WINDOW 74 1/4" x 53 1/4"	
BOX FRAME INSTALLATION DETAILS	
DRAWN: TJH	DWG. NO.: 08-00838
SCALE: NTS	DATE: 09/01/09
	SHEET 3 OF 5

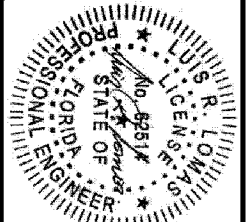


REV	DESCRIPTION	DATE	APPROVED
REVISIONS			

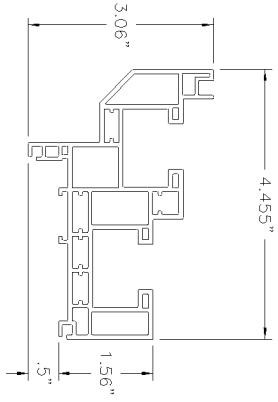


PGT INDUSTRIES
 1070 TECHNOLOGY DRIVE
 NOKOMIS, FL 34275
 2LI HR2710 PVC HORIZONTAL ROLLER WINDOW
 74 1/4" x 53 1/4"
 FIN INSTALLATION DETAILS

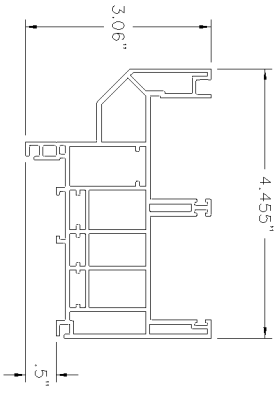
DRAWN: TJH
 DATE: 09/01/09
 DWG NO.: 08-00838
 SHEET 4 OF 5



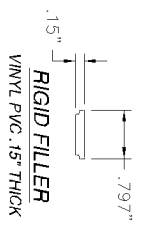
REVISIONS			
REV	DESCRIPTION	DATE	APPROVED



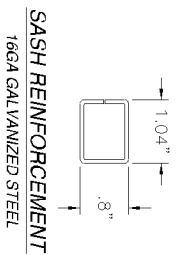
FRAME HEAD, JAMB & SILL
VINYL PVC .075" THICK



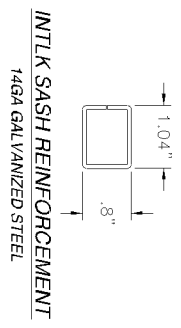
FRAME SILL
VINYL PVC .075" THICK



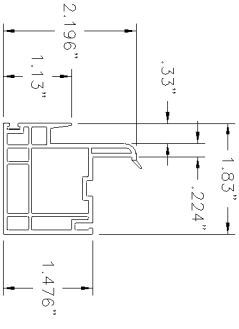
RIGID FILLER
VINYL PVC .15" THICK



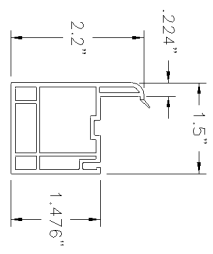
SASH REINFORCEMENT
16GA GALVANIZED STEEL



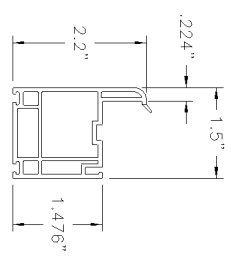
INTLK SASH REINFORCEMENT
14GA GALVANIZED STEEL



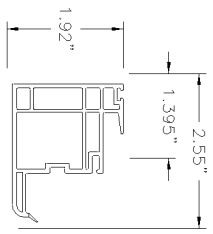
INNER SASH INTERLOCK SASH
VINYL PVC .07" THICK



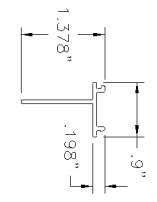
VERTICAL PLAIN SASH
VINYL PVC .07" THICK



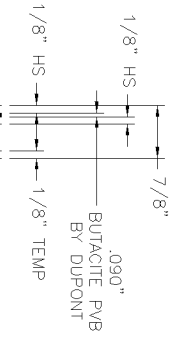
HORIZONTAL PLAIN SASH
VINYL PVC .07" THICK



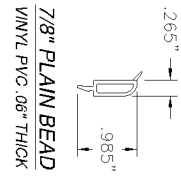
OUTER SASH INTERLOCK
ALUMINUM 6063-T5 .08" THICK



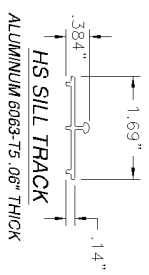
FIN ADAPTER
VINYL PVC .062" THICK



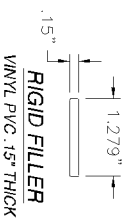
7/8" LIFT BEAD
VINYL PVC .06" THICK



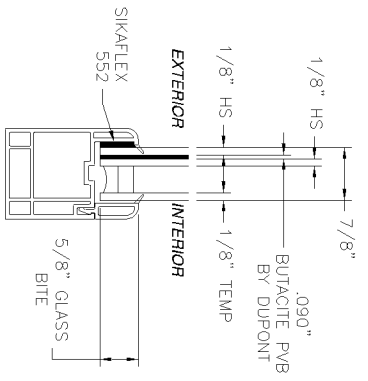
7/8" PLAIN BEAD
VINYL PVC .06" THICK



HS SILL TRACK
ALUMINUM 6063-T5 .06" THICK



RIGID FILLER
VINYL PVC .15" THICK



GLAZING DETAIL

PGT INDUSTRIES 1070 TECHNOLOGY DRIVE NOKOMIS, FL 34275			
2LT HR2710 PVC HORIZONTAL ROLLER WINDOW 74 1/4" x 53 1/4"			
COMPONENTS AND GLAZING DETAIL			
DRAWN: TJH	DWG NO. 08-00838	REV -	SCALE NTS
DATE 09/01/09	SHEET 5 OF 5		

