



DEPARTMENT OF PERMITTING, ENVIRONMENT, AND REGULATORY
AFFAIRS (PERA)
BOARD AND CODE ADMINISTRATION DIVISION

MIAMI-DADE COUNTY
PRODUCT CONTROL SECTION
11805 SW 26 Street, Room 208
Miami, Florida 33175-2474
T (786) 315-2590 F (786) 315-2599

NOTICE OF ACCEPTANCE (NOA)

www.miamidade.gov/pera/

PGT Industries
1070 Technology Drive
North Venice, FL 34275

SCOPE:

This NOA is being issued under the applicable rules and regulations governing the use of construction materials. The documentation submitted has been reviewed and accepted by Miami-Dade County PERA - Product Control Section to be used in Miami Dade County and other areas where allowed by the Authority Having Jurisdiction (AHJ).

This NOA shall not be valid after the expiration date stated below. The Miami-Dade County Product Control Section (In Miami Dade County) and/or the AHJ (in areas other than Miami Dade County) reserve the right to have this product or material tested for quality assurance purposes. If this product or material fails to perform in the accepted manner, the manufacturer will incur the expense of such testing and the AHJ may immediately revoke, modify, or suspend the use of such product or material within their jurisdiction. PERA reserves the right to revoke this acceptance, if it is determined by Miami-Dade County Product Control Section that this product or material fails to meet the requirements of the applicable building code.

This product is approved as described herein, and has been designed to comply with the Florida Building Code, including the High Velocity Hurricane Zone.

DESCRIPTION: Series "DH-2760 and DH-2860, Vinyl" White PVC Double Hung Window – L.M.I.

APPROVAL DOCUMENT: Drawing No. **08-00884**, titled "Series DH 2760 PVC Double Hung Window Impact and DH 2860 PVC Double Hung Window Impact", sheets 1 through 7 of 7, dated 10/27/09 with revision "D" dated 10/12/11, prepared by manufacturer, signed and sealed by Anthony Lynn Miller, P. E., bearing the Miami-Dade County Product Control Revision stamp with the Notice of Acceptance number and expiration date by the Miami-Dade County Product Control Section.

MISSILE IMPACT RATING: Large and Small Missile Impact Resistant

LABELING: Each unit shall bear a permanent label with the manufacturer's name or logo, city, state, model/series, and following statement: "Miami-Dade County Product Control Approved", unless otherwise noted herein.

RENEWAL of this NOA shall be considered after a renewal application has been filed and there has been no change in the applicable building code negatively affecting the performance of this product.

TERMINATION of this NOA will occur after the expiration date or if there has been a revision or change in the materials, use, and/or manufacture of the product or process. Misuse of this NOA as an endorsement of any product, for sales, advertising or any other purposes shall automatically terminate this NOA. Failure to comply with any section of this NOA shall be cause for termination and removal of NOA.

ADVERTISEMENT: The NOA number preceded by the words Miami-Dade County, Florida, and followed by the expiration date may be displayed in advertising literature. If any portion of the NOA is displayed, then it shall be done in its entirety.

INSPECTION: A copy of this entire NOA shall be provided to the user by the manufacturer or its distributors and shall be available for inspection at the job site at the request of the Building Official.

This NOA revises NOA # **09-1103.07** and consists of this page 1 and evidence pages E-1 and E-2, as well as approval document mentioned above.

The submitted documentation was reviewed by **Manuel Perez, P.E.**



NOA No. 11-1013.20
Expiration Date: September 22, 2015
Approval Date: December 08, 2011
Page 1

PGT Industries

NOTICE OF ACCEPTANCE: EVIDENCE SUBMITTED

D. QUALITY ASSURANCE

1. Miami-Dade Department of Permitting, Environment, and Regulatory Affairs (PERA).

E. MATERIAL CERTIFICATIONS

1. Notice of Acceptance No. **10-0413.04** issued to **E.I. DuPont DeNemours & Co., Inc.** for their "**DuPont Sentry Glass® Interlayer**" dated 05/26/10, expiring on 01/14/12.
2. Notice of Acceptance No. **10-0922.09** issued to **E.I. DuPont DeNemours & Co., Inc.** for their "**DuPont Butacite® PVB, Interlayer**" dated 12/24/10, expiring on 12/11/11.
3. Notice of Acceptance No. **10-1208.02** issued to L.B. Plastics, Inc. for their "**White Rigid PVC Exterior Extrusions for Windows and Doors**" dated 12/30/10, expiring on 12/30/15.

F. STATEMENTS

1. Statement letter of conformance to the FBC-2007 and FBC-2010, dated 10/07/11, signed and sealed by Anthony Lynn Miller, P.E.
2. Statement letter of no financial interest, dated 10/07/11, signed and sealed by Anthony Lynn Miller, P.E.
3. Laboratory compliance letter for Test Reports No. **NCTL 210-3637-1** issued by National Certified Testing Laboratories, Inc., dated 12/04/07, signed and sealed by Gerard J. Ferrara, P. E.
4. Laboratory compliance letter for Test Reports No. **NCTL 210-3641-1**, issued by National Certified Testing Laboratories, Inc., dated 05/28/08, signed and sealed by Gerard J. Ferrara, P. E.

G. OTHER

1. Notice of Acceptance No. **09-1103.07**, issued to PGT Industries for their Series "DH-2760/2860" White PVC Double Hung Windows - L.M.I., approved on 09/22/10 and expiring on 09/22/15.


Manuel Perez, P.E.
Product Control Examiner

NOA No. 11-1013.20

Expiration Date: September 22, 2015

Approval Date: December 08, 2011

NOTICE OF ACCEPTANCE: EVIDENCE SUBMITTED

A. DRAWINGS


1. Manufacturer's die drawings and sections.
2. Drawing No **08-00884**, titled "Series DH 2760 PVC Double Hung Window Impact and DH 2860 PVC Double Hung Window Impact", sheets 1 through 7 of 7, dated 10/27/09 with revision "**D**", dated 10/12/11, prepared by manufacturer, signed and sealed by Anthony Lynn Miller, P. E.

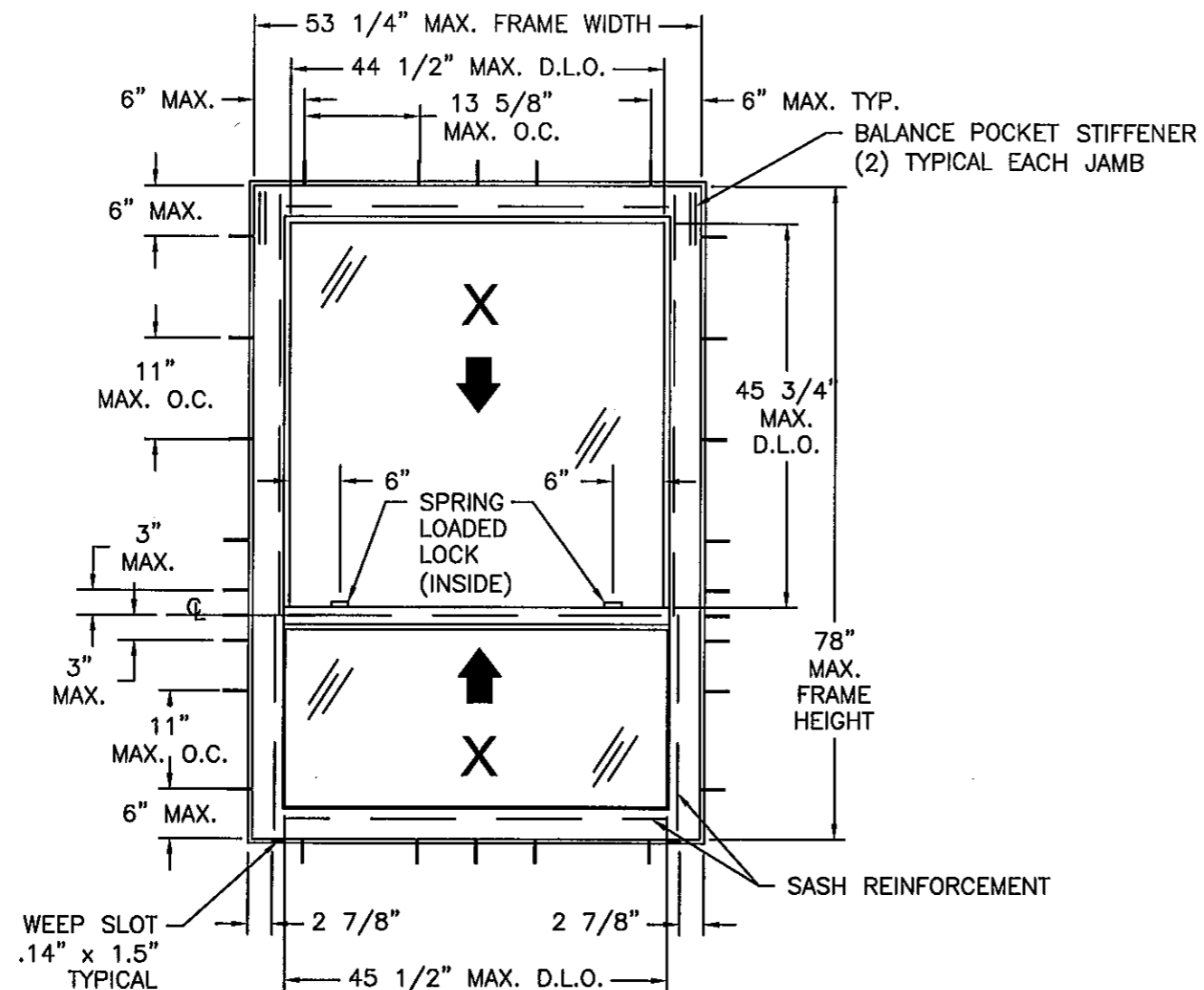
B. TESTS

1. Test reports on:
 - 1) Air Infiltration Test, per FBC, TAS 202-94
 - 2) Uniform Static Air Pressure Test, Loading per FBC TAS 202-94
 - 3) Water Resistance Test, per FBC, TAS 202-94
 - 4) Large Missile Impact Test per FBC, TAS 201-94
 - 5) Cyclic Wind Pressure Loading per FBC, TAS 203-94
 - 6) Forced Entry Test, per FBC 2411 3.2.1, TAS 202-94along with marked-up drawings and installation diagram of series DH-2760 and series DH-2860 white PVC double hung windows, prepared by National Certified Testing Laboratories, Inc., Test Reports No. **NCTL 210-3637-1**, dated 01/31/08, and addendum letter dated 04/06/10, all signed and sealed by Gerard J. Ferrara, P. E.
(Submitted under previous NOA #09-1103.07)
2. Test reports on:
 - 1) Air Infiltration Test, per FBC, TAS 202-94
 - 2) Uniform Static Air Pressure Test, Loading per FBC TAS 202-94
 - 3) Water Resistance Test, per FBC, TAS 202-94
 - 4) Large Missile Impact Test per FBC, TAS 201-94
 - 5) Cyclic Wind Pressure Loading per FBC, TAS 203-94
 - 6) Forced Entry Test, per FBC 2411 3.2.1, TAS 202-94along with marked-up drawings and installation diagram of series DH-2760 and series DH-2860 white PVC double hung windows, prepared by National Certified Testing Laboratories, Inc., Test Reports No. **NCTL 210-3641-1**, dated 02/13/09, and addendum letter dated 04/06/10, all signed and sealed by Gerard J. Ferrara, P. E.
(Submitted under previous NOA #09-1103.07)

C. CALCULATIONS

1. Anchor verification calculations and structural analysis, complying with FBC-2007 and FBC-2010, dated 10/28/09 and updated on 10/07/11, signed and sealed by Anthony Lynn Miller, P.E.
2. Glazing complies with ASTM E1300-04


Manuel Perez, P.E.
Product Control Examiner
NOA No. 11-1013.20
Expiration Date: September 22, 2015
Approval Date: December 08, 2011



**DH2860 PVC ORIEL
DOUBLE HUNG WINDOW
EXTERIOR VIEW**

| DESIGN PRESSURE RATING | IMPACT RATING |
|--------------------------|-----------------------------------|
| + 65.0 PSF - 80.0 PSF | LARGE AND SMALL MISSILE IMPACT |

DH2860 WITH GLAZING TYPE B AND E

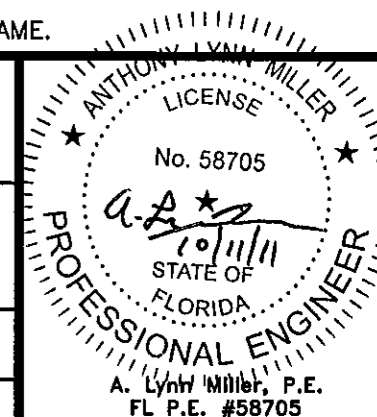
| TABLE OF CONTENTS | |
|-------------------|--------------------------------------|
| SHEET NO. | DESCRIPTION |
| 1 | ELEVATION, ANCHORING AND NOTES |
| 2 | ELEVATION AND ANCHORING |
| 3 | BILL OF MATERIALS AND CROSS SECTIONS |
| 4 - 6 | INSTALLATION DETAILS |
| 7 | COMPONENTS AND GLAZING DETAILS |

PRODUCT REVISED
as complying with the Florida
Building Code
Acceptance No 11-1013, 20
Expiration Date SEPT. 22, 2015
By *Manuel Perez*
Miami Dade Product Control

PGT INDUSTRIES
1070 TECHNOLOGY DRIVE
NOKOMIS, FL 34275

DH2760 PVC DOUBLE HUNG WINDOW IMPACT
DH2860 PVC DOUBLE HUNG WINDOW IMPACT
ELEVATION, ANCHORING AND NOTES

| | | |
|---------------|---------------------|--------------|
| DRAWN: TJH | DWG NO. 08-00884 | REV D |
| SCALE NTS | DATE 10/27/09 | SHEET 1 OF 7 |

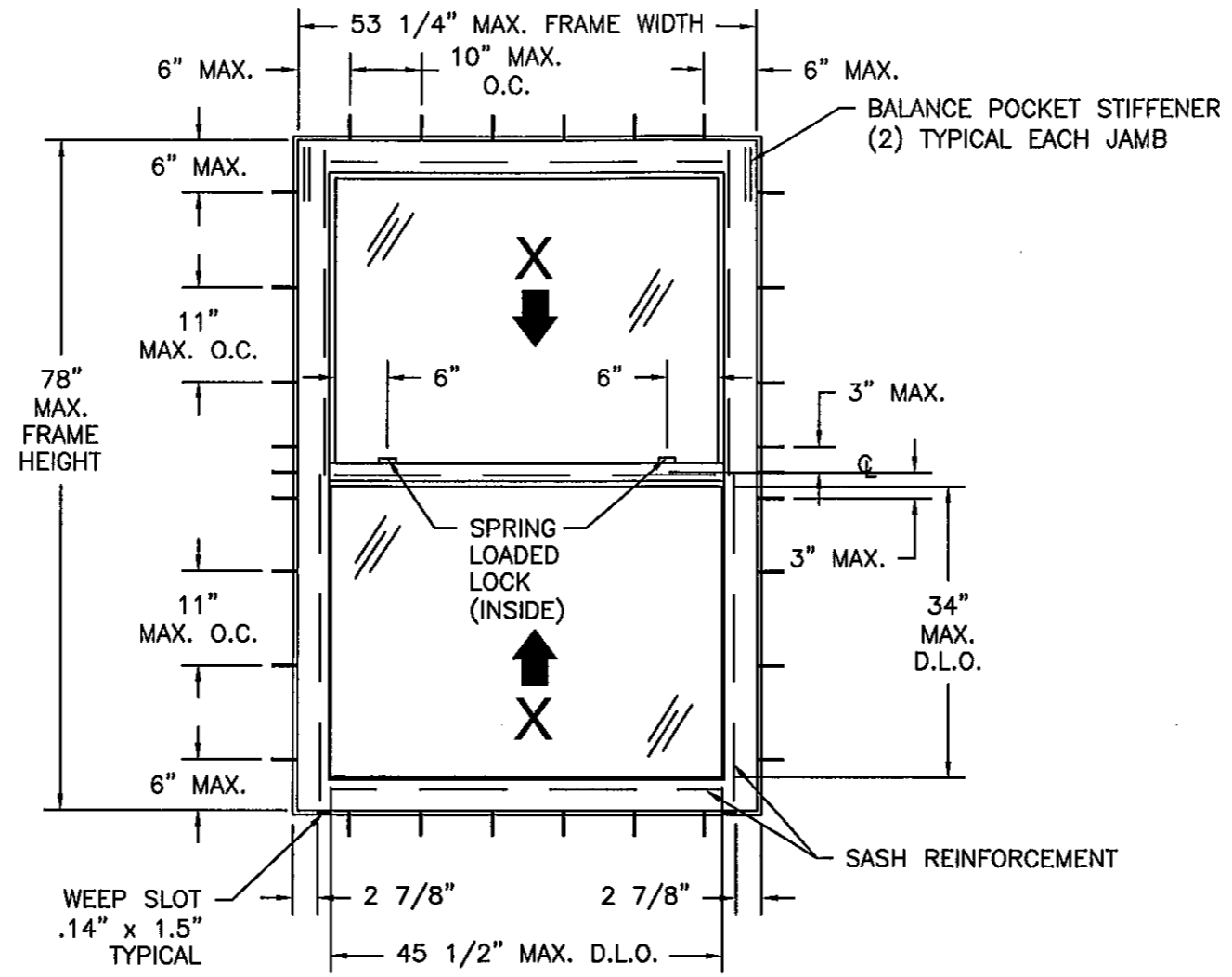


| REVISIONS | | | |
|-----------|---------------------------|----------|----------|
| REV | DESCRIPTION | DATE | APPROVED |
| C | ADDED HARDWARE TO SHEET 3 | 8/17/10 | R.L. |
| D | FBC 2010 CODE CHANGE | 10/12/11 | J.J. |

NOTES:

- THIS PRODUCT HAS BEEN DESIGNED & TESTED TO COMPLY WITH THE REQUIREMENTS OF THE FLORIDA BUILDING CODE, INCLUDING THE HIGH VELOCITY HURRICANE ZONE (HVHZ).
- WOOD FRAMING AND MASONRY OPENING TO BE DESIGNED AND ANCHORED TO PROPERLY TRANSFER ALL LOADS TO STRUCTURE. FRAMING AND MASONRY OPENING IS THE RESPONSIBILITY OF THE ARCHITECT OR ENGINEER OF RECORD.
- UNITS MUST BE GLAZED PER ASTM E1300 SEE SHEET 7 FOR APPROVED GLASS TYPES.
- APPROVED IMPACT PROTECTIVE SYSTEM IS NOT REQUIRED FOR THIS PRODUCT IN WIND-BORNE DEBRIS REGIONS.
- SHIM AS REQUIRED AT EACH INSTALLATION ANCHOR WITH LOAD BEARING SHIM. SHIM WHERE SPACE OF 1/16" OR GREATER OCCURS. MAXIMUM ALLOWABLE SHIM STACK TO BE 1/4".
- FOR INSTALLATION INTO WOOD FRAMING OR 2X BUCK USE #10 WOOD SCREW WITH SUFFICIENT LENGTH TO ACHIEVE A 1 3/8" MINIMUM EMBEDMENT INTO SUBSTRATE. LOCATE ANCHORS AS SHOWN IN ELEVATIONS AND INSTALLATION DETAILS.
- FOR INSTALLATION INTO CONCRETE/MASONRY USE 3/16" ITW TAPCON WITH SUFFICIENT LENGTH TO ACHIEVE A 1 1/4" MINIMUM EMBEDMENT INTO SUBSTRATE WITH 2 5/8" MINIMUM EDGE DISTANCE. LOCATE ANCHORS AS SHOWN IN ELEVATIONS AND INSTALLATION DETAILS.
- FOR ANCHORING INTO METAL FRAMING USE #10 TEK SELF TAPPING SCREWS WITH SUFFICIENT LENGTH TO ACHIEVE A MINIMUM EMBEDMENT OF THREE THREADS PAST THE FRAME THICKNESS. LOCATE ANCHORS AS SHOWN IN ELEVATIONS AND INSTALLATION DETAILS.
- ALL FASTENERS TO BE CORROSION RESISTANT.
- INSTALLATION ANCHORS SHALL BE INSTALLED IN ACCORDANCE WITH ANCHOR MANUFACTURER'S INSTALLATION INSTRUCTIONS, AND ANCHORS SHALL NOT BE USED IN SUBSTRATES WITH STRENGTHS LESS THAN THE MINIMUM STRENGTH SPECIFIED BELOW:
 - WOOD - MINIMUM SPECIFIC GRAVITY OF G=0.42
 - CONCRETE - MINIMUM COMPRESSIVE STRENGTH OF 3,200 PSI.
 - MASONRY - STRENGTH CONFORMANCE TO ASTM C-90, GRADE N, TYPE 1 (OR GREATER).
 - METAL FRAMING - 16GA (.060) MINIMUM THICKNESS
- ALLOWABLE STRESS INCREASE OF 1/3 WAS NOT USED IN THE DESIGN OF THE PRODUCT SHOWN HEREIN. WIND LOAD DURATION FACTOR Cd=1.6 WAS USED FOR WOOD ANCHOR CALCULATIONS.
- FRAME MATERIAL: EXTRUDED RIGID WHITE PVC .075" THICK. VERTICAL JAMBS UTILIZE ALUMINUM 6063-T5 REINFORCEMENT BARS/POCKET STIFFENERS. SASH MATERIAL: EXTRUDED RIGID WHITE PVC .10" THICK WITH REINFORCEMENT BARS.
- DH2760 UNITS ARE GLAZED WITH BUTACITE PVB INTERLAYER, GLAZING TYPES A, C AND D. DH2860 UNITS ARE GLAZED WITH SENTRY GLASPLUS INTERLAYER, GLAZING TYPES B AND E. ALL OTHER COMPONENTS IN DH2760 AND DH2860 ARE SAME.

| REVISIONS | | | |
|-----------|---------------------------|----------|----------|
| REV | DESCRIPTION | DATE | APPROVED |
| C | ADDED HARDWARE TO SHEET 3 | 8/17/10 | R.L. |
| D | FBC 2010 CODE CHANGE | 10/12/11 | J.J. |



**DH2760 AND DH2860 PVC EQUAL
DOUBLE HUNG WINDOW**
EXTERIOR VIEW

| DESIGN PRESSURE RATING | IMPACT RATING |
|--------------------------|-----------------------------------|
| + 65.0 PSF - 80.0 PSF | LARGE AND SMALL MISSILE IMPACT |

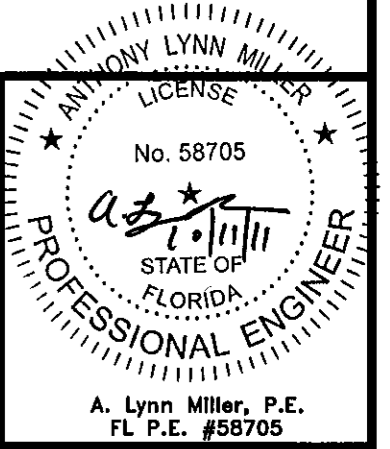
DH2760 WITH GLAZING TYPE A, C & D
DH2860 WITH GLAZING TYPE B

PRODUCT REVISED
as complying with the Florida
Building Code
Acceptance No 11-1013-20
Expiration Date SEPT. 22, 2015
By Maureen Perez
Miami Dade Product Control

PGT INDUSTRIES
1070 TECHNOLOGY DRIVE
NOKOMIS, FL 34275

DH2760 PVC DOUBLE HUNG WINDOW IMPACT
DH2860 PVC DOUBLE HUNG WINDOW IMPACT
ELEVATION AND ANCHORING

| | | |
|---------------|---------------------|--------------|
| DRAWN: TJH | DWG NO. 08-00884 | REV D |
| SCALE NTS | DATE 10/27/09 | SHEET 2 OF 7 |



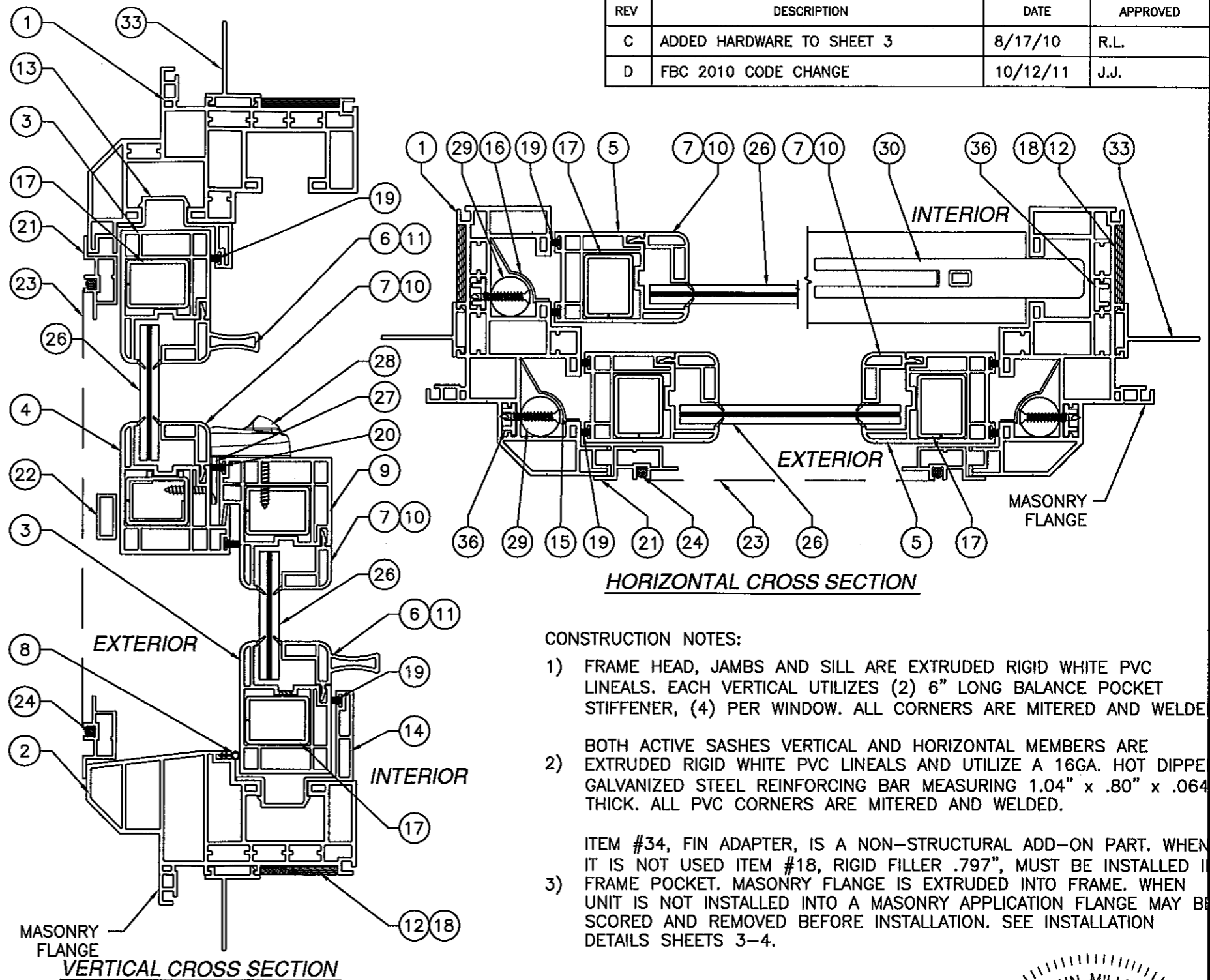
PARTS LIST

| NO. | PART NUMBER | DESCRIPTION | MANUFACTURER | MATERIAL |
|-----|--------------|----------------------------------|--------------------|------------------|
| 1 | 8301 | FRAME HEAD & JAMB | LB PLASTICS INC. | RIGID WHITE PVC |
| 2 | 8302 | FRAME SILL | LB PLASTICS INC. | RIGID WHITE PVC |
| 3 | 8305 | SASH HORIZONTAL | LB PLASTICS INC. | RIGID WHITE PVC |
| 4 | 8307 | OUTER SASH INTERLOCK | LB PLASTICS INC. | RIGID WHITE PVC |
| 5 | 8306 | SASH VERTICAL | LB PLASTICS INC. | RIGID WHITE PVC |
| 6 | 8320 | SASH 5/16" LIFT BEAD | LB PLASTICS INC. | RIGID WHITE PVC |
| 7 | 8321 | SASH 5/16" PLAIN BEAD | LB PLASTICS INC. | RIGID WHITE PVC |
| 8 | 718610W | BULB SEAL FRAME SILL | ULTRA FAB | 65A TPE |
| 9 | 8308 | INNER SASH INTERLOCK | LB PLASTICS INC. | RIGID WHITE PVC |
| 10 | 8323 | SASH 7/8" PLAIN BEAD | LB PLASTICS INC. | RIGID WHITE PVC |
| 11 | 8324 | SASH 7/8" LIFT BEAD | LB PLASTICS INC. | RIGID WHITE PVC |
| 12 | 2NB-8K-038 | RIGID FILLER 1.279" 85 DUROMETER | FRANK LOWE | NEOPRENE |
| 13 | 8341 | HEAD ADAPTER | LB PLASTICS INC. | RIGID WHITE PVC |
| 14 | 8342 | SILL ADAPTER | LB PLASTICS INC. | RIGID WHITE PVC |
| 15 | 8340 | OUTER BALANCE COVER | LB PLASTICS INC. | |
| 16 | 8340 | INNER BALANCE COVER | LB PLASTICS INC. | |
| 17 | ST1007B | SASH REINFORCEMENT | HYGRADE | A653 GALV. STEEL |
| 18 | 2NB-8K-018 | RIGID FILLER .797" 85 DUROMETER | FRANK LOWE | NEOPRENE |
| 19 | G23251NW | WEATHERSTRIPPING FIN SEAL | ULTRA FAB | POLYPROPYLENE |
| 20 | G23321NW | WEATHERSTRIPPING FIN SEAL | ULTRA FAB | POLYPROPYLENE |
| 21 | VB51F34F-3 | SCREEN FRAME | EASTERN METALS | ALUMINUM 6063-T6 |
| 22 | VB591FB5-3 | SCREEN CROSS BAR | EASTERN METALS | ALUMINUM 6063-T6 |
| 23 | 18/16FGCCL | SCREEN FIBERGLASS CLOTH | PHIFER WIRE | FIBERGLASS |
| 24 | FP-50.160B | SCREEN SPLINE | PROTOTYPE PLASTICS | 65A TPE |
| 25 | SIKAFLEX 552 | GLAZING COMPOUND | SIKA | POLYURETHANE |
| 26 | | IMPACT GLAZING SEE SHEET 7 | | |
| 27 | SK01-3014-G2 | SASH KEEPER | INTERLOCK USA | ZINC |
| 28 | 5500-000-G2 | SASH LOCK | INTERLOCK USA | ZINC |
| 29 | ULTRA LIFT | BALANCER | CALDWELL | STEEL |
| 30 | NCRWDH-042 | TILT LATCH | IPS | ZINC |
| 31 | WA2L | WEEP COVER | PREFERRED ENG. | NYLON |
| 32 | FPSS03F | PIVOT BAR | CALDWELL | STAINLESS STEEL |
| 33 | 8343 | FIN ADAPTER | LB PLASTICS INC. | RIGID WHITE PVC |
| 34 | SNB IN | INTERLOCK CLIP | WIRCO | STAINLESS STEEL |
| 35 | SNB OUT | INTERLOCK CLIP | WIRCO | STAINLESS STEEL |
| 36 | 618508M | BALANCE POCKET STIFFENER | PGT | ALUMINUM 6063-T5 |

ITEMS 34 AND 35 ARE USED ONLY IN ORIEL UNITS.

WHITE PVC EXTRUSIONS TO BE LABELED WITH AAMA EXTRUDER CODE, EXTRUDER NAME, CITY, STATE AND MDCA.

| REVISIONS | | | |
|-----------|---------------------------|----------|----------|
| REV | DESCRIPTION | DATE | APPROVED |
| C | ADDED HARDWARE TO SHEET 3 | 8/17/10 | R.L. |
| D | FBC 2010 CODE CHANGE | 10/12/11 | J.J. |



CONSTRUCTION NOTES:

- 1) FRAME HEAD, JAMBS AND SILL ARE EXTRUDED RIGID WHITE PVC LINEALS. EACH VERTICAL UTILIZES (2) 6" LONG BALANCE POCKET STIFFENER, (4) PER WINDOW. ALL CORNERS ARE MITERED AND WELDED.
- 2) BOTH ACTIVE SASHES VERTICAL AND HORIZONTAL MEMBERS ARE EXTRUDED RIGID WHITE PVC LINEALS AND UTILIZE A 16GA. HOT DIPPE GALVANIZED STEEL REINFORCING BAR MEASURING 1.04" x .80" x .064" THICK. ALL PVC CORNERS ARE MITERED AND WELDED.
- 3) ITEM #34, FIN ADAPTER, IS A NON-STRUCTURAL ADD-ON PART. WHEN IT IS NOT USED ITEM #18, RIGID FILLER .797", MUST BE INSTALLED IN FRAME POCKET. MASONRY FLANGE IS EXTRUDED INTO FRAME. WHEN UNIT IS NOT INSTALLED INTO A MASONRY APPLICATION FLANGE MAY BE SCORED AND REMOVED BEFORE INSTALLATION. SEE INSTALLATION DETAILS SHEETS 3-4.

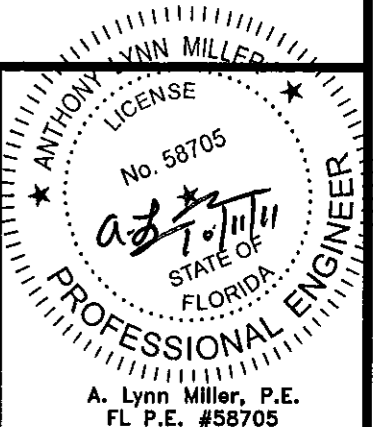
PRODUCT REVISED as complying with the Florida Building Code
 Acceptance No 11-1013.20
 Expiration Date Sept. 22, 2015
 By *Manuel Cruz*
 Miami Dade Product Control

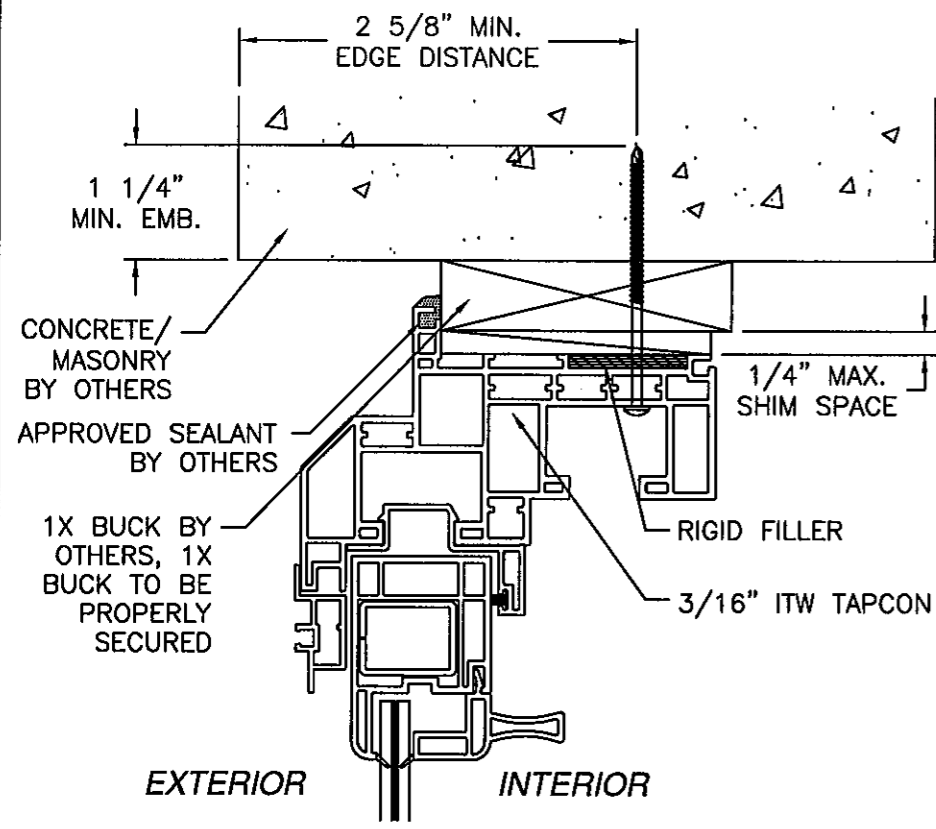
PGT INDUSTRIES
 1070 TECHNOLOGY DRIVE
 NOKOMIS, FL 34275

DH2760 PVC DOUBLE HUNG WINDOW IMPACT
 DH2860 PVC DOUBLE HUNG WINDOW IMPACT
 BILL OF MATERIALS AND CROSS SECTIONS

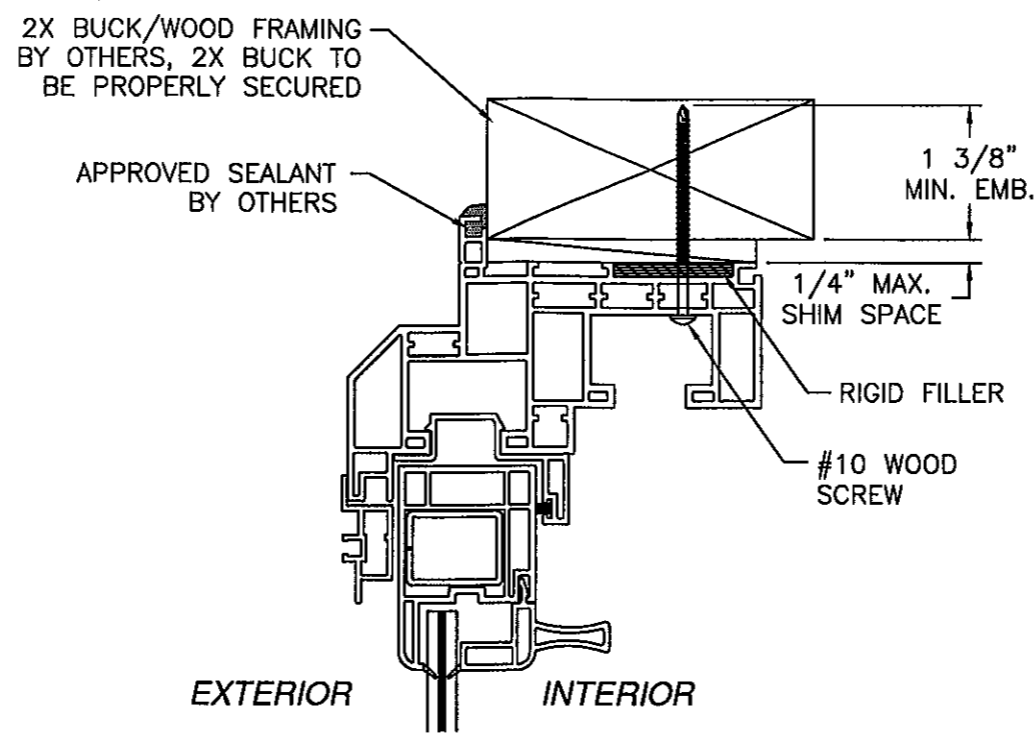
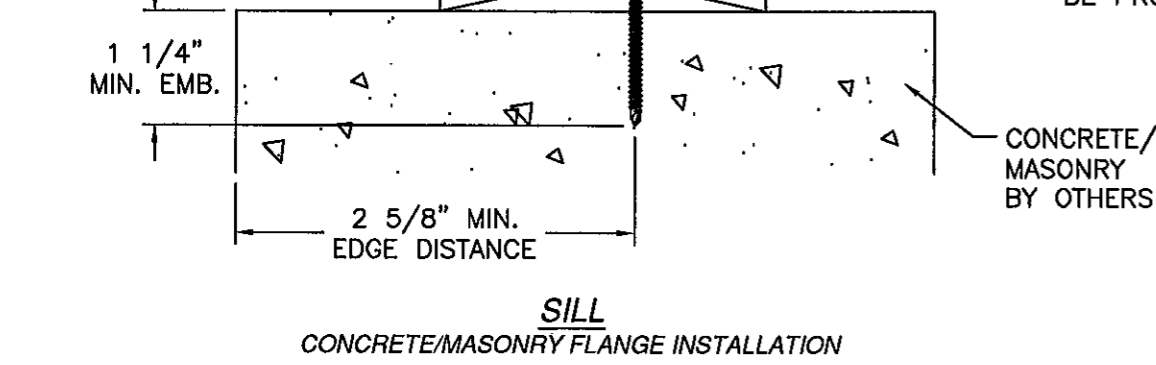
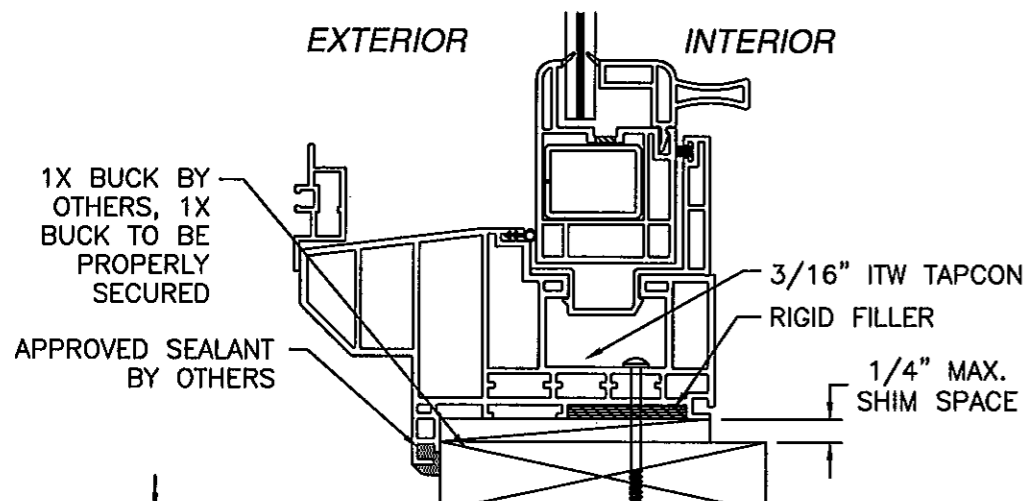
DRAWN: TJH DWG NO. 08-00884 REV D

SCALE NTS DATE 10/27/09 SHEET 3 OF 7

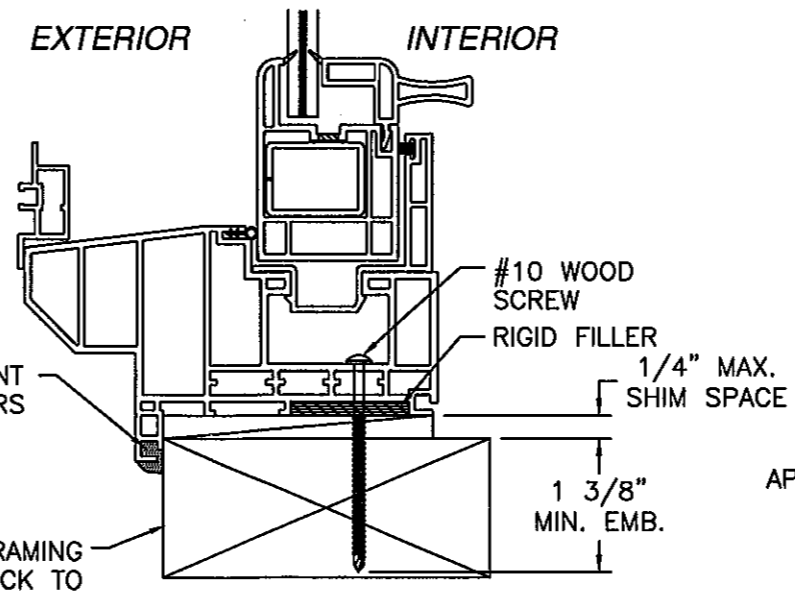




HEAD & JAMB
CONCRETE/MASONRY FLANGE INSTALLATION
HEAD SHOWN, JAMBS SIMILAR

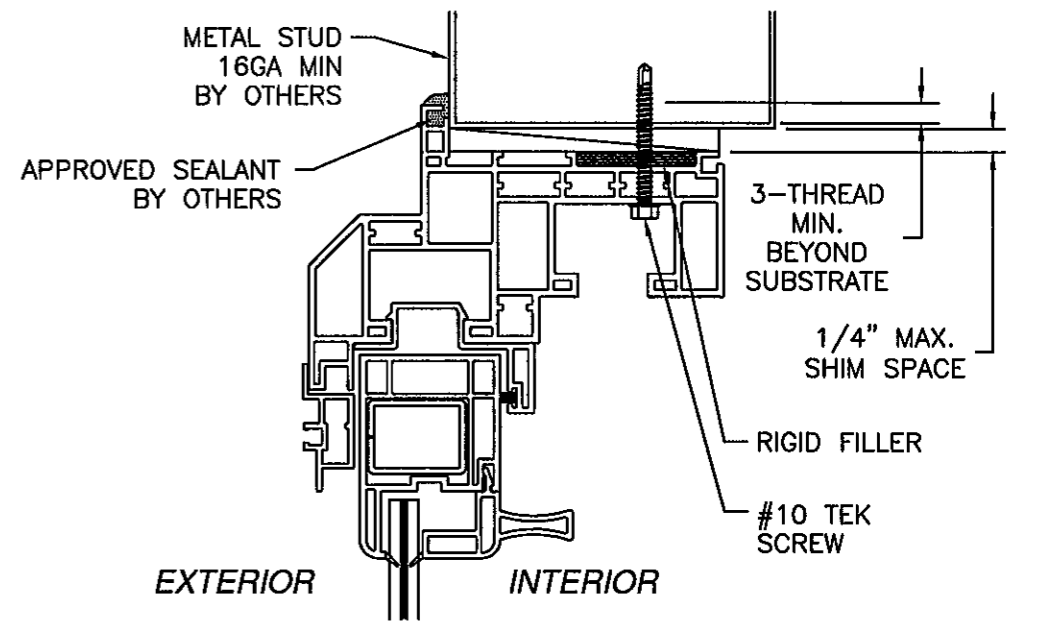


HEAD & JAMB
WOOD FRAMING OR 2X BUCK FLANGE INSTALLATION
HEAD SHOWN, JAMBS SIMILAR

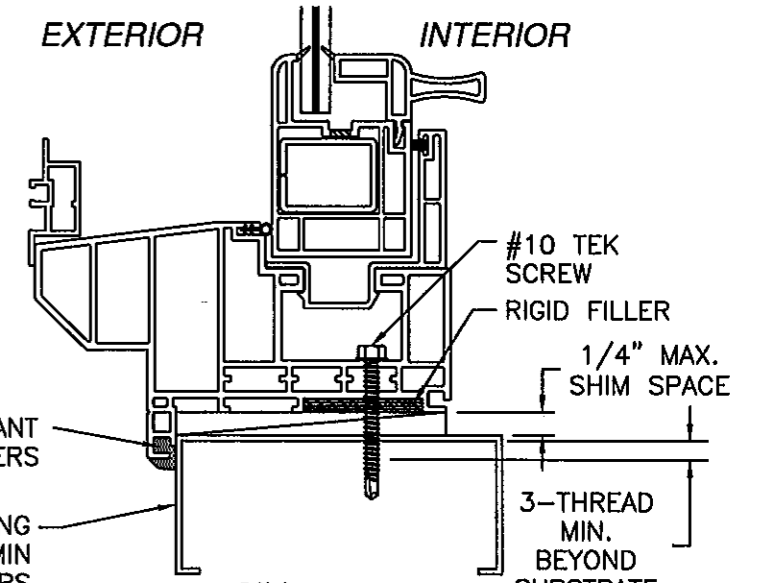


SILL
WOOD FRAMING OR 2X BUCK FLANGE
INSTALLATION

| REVISIONS | | | |
|-----------|---------------------------|----------|----------|
| REV | DESCRIPTION | DATE | APPROVED |
| C | ADDED HARDWARE TO SHEET 3 | 8/17/10 | R.L. |
| D | FBC 2010 CODE CHANGE | 10/12/11 | J.J. |



HEAD & JAMB
METAL FRAMING FLANGE INSTALLATION
HEAD SHOWN, JAMBS SIMILAR



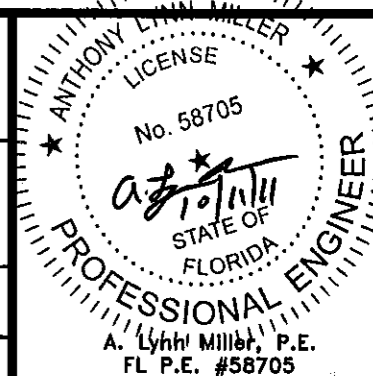
SILL
METAL FRAMING FLANGE INSTALLATION

PRODUCT REVISED
as complying with the Florida
Building Code
Acceptance No. 11-1013.20
Expiration Date SEPT. 22, 2015
By *Mauro Lopez*
Miami Dade Product Control

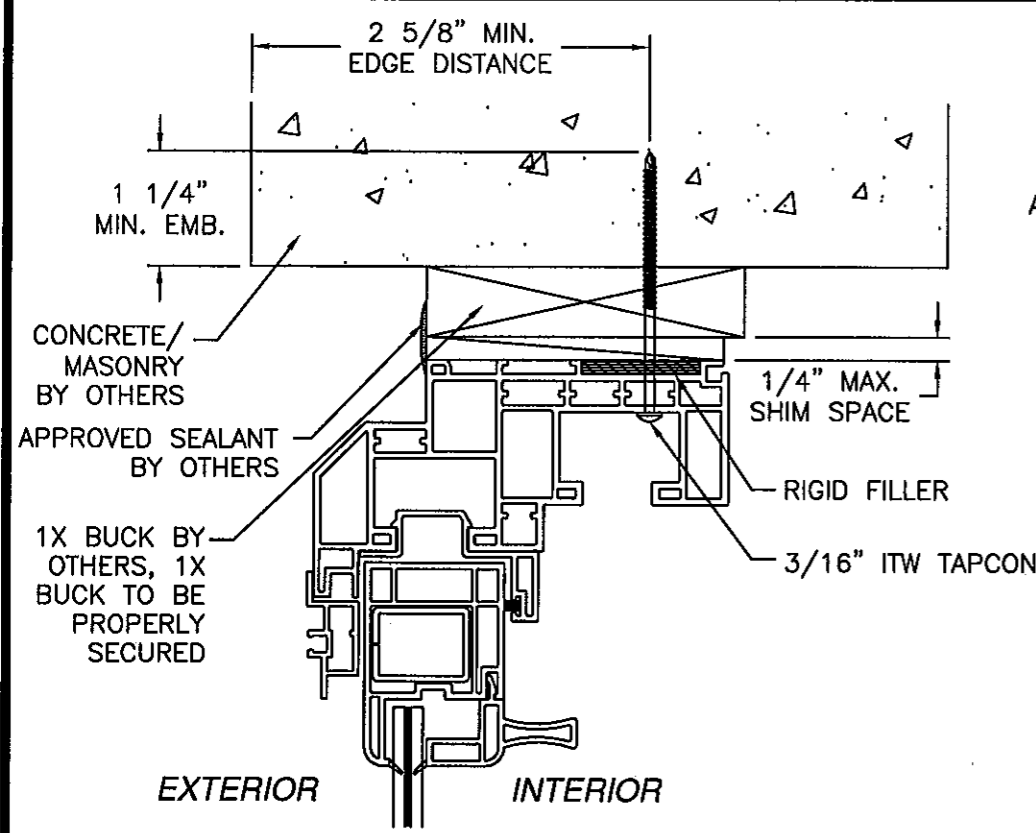
PGT INDUSTRIES
1070 TECHNOLOGY DRIVE
NOKOMIS, FL 34275

DH2760 PVC DOUBLE HUNG WINDOW IMPACT
DH2860 PVC DOUBLE HUNG WINDOW IMPACT
FLANGE INSTALLATION DETAILS

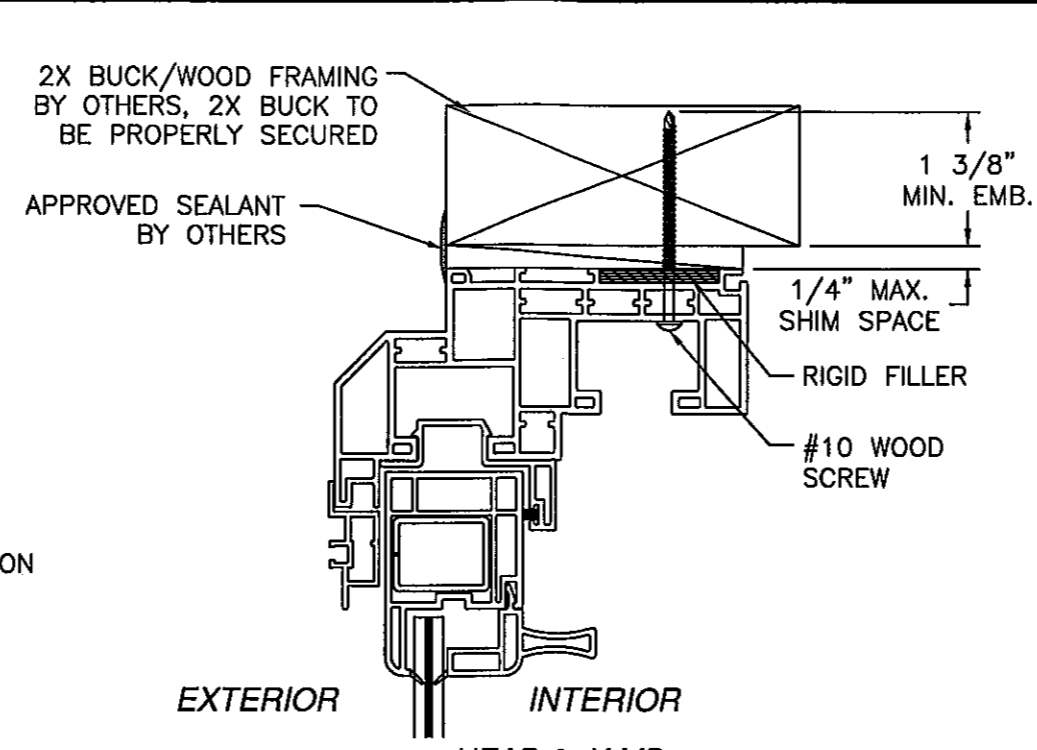
| | | |
|---------------|---------------------|-----------------|
| DRAWN: TJH | DWG NO. 08-00884 | REV D |
| SCALE NTS | DATE 10/27/09 | SHEET 4 OF 7 |



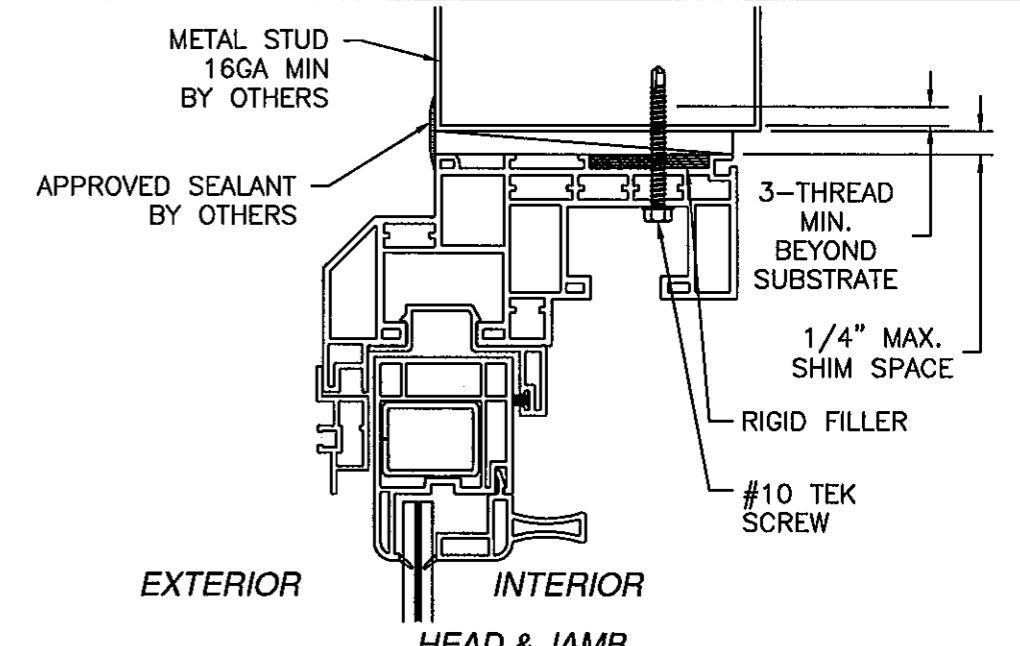
| REVISIONS | | | |
|-----------|---------------------------|----------|----------|
| REV | DESCRIPTION | DATE | APPROVED |
| C | ADDED HARDWARE TO SHEET 3 | 8/17/10 | R.L. |
| D | FBC 2010 CODE CHANGE | 10/12/11 | J.J. |



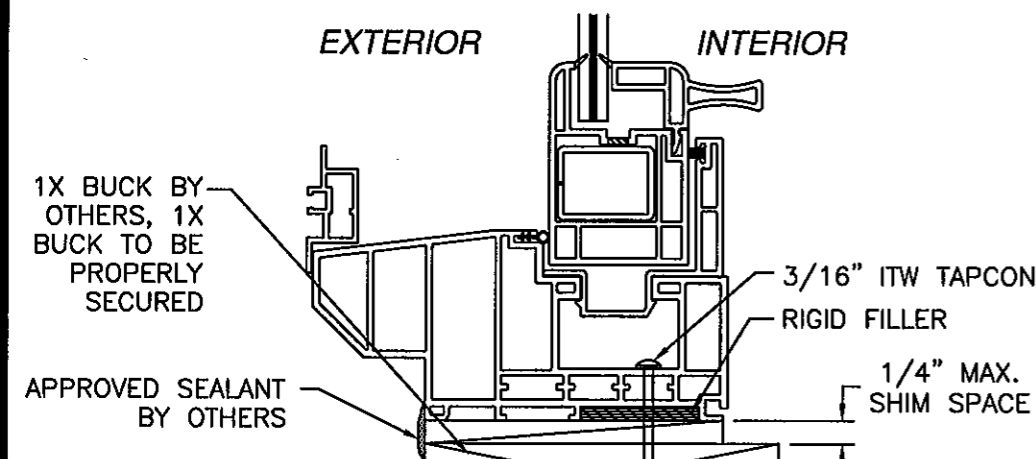
HEAD & JAMB
CONCRETE/MASONRY BOX FRAME INSTALLATION
HEAD SHOWN, JAMBS SIMILAR



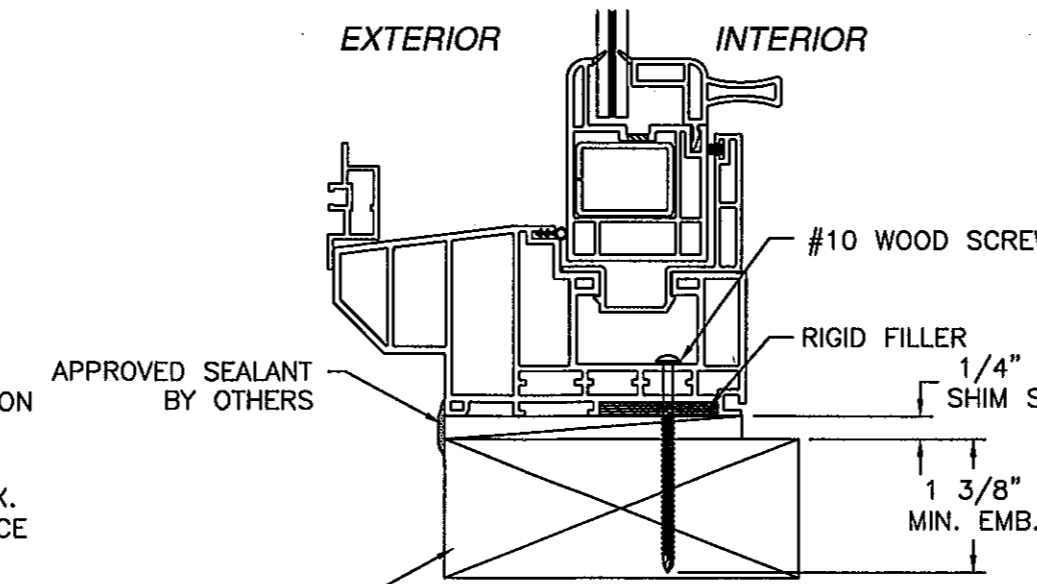
HEAD & JAMB
WOOD FRAMING OR 2X BUCK BOX FRAME INSTALLATION
HEAD SHOWN, JAMBS SIMILAR



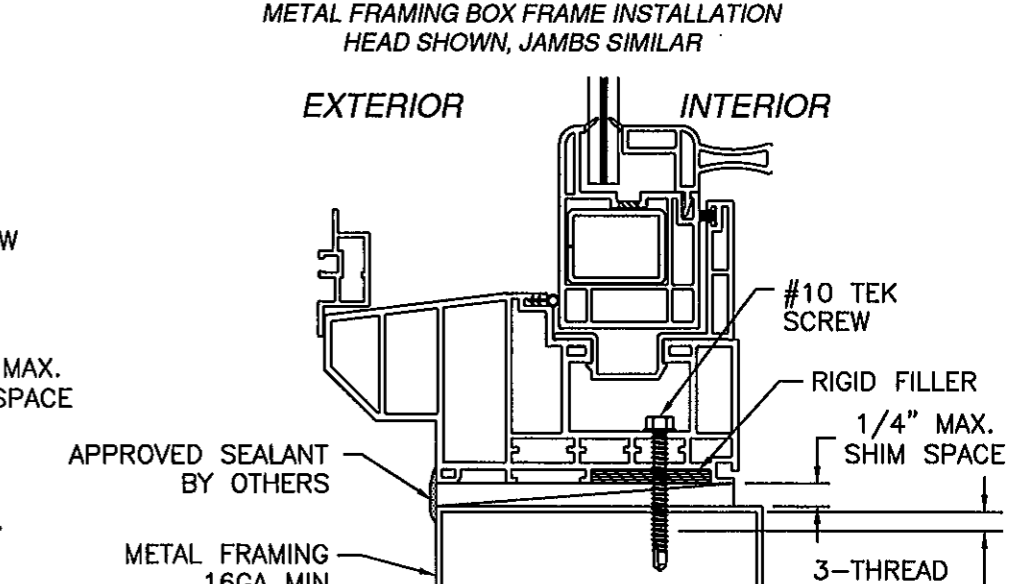
HEAD & JAMB
METAL FRAMING BOX FRAME INSTALLATION
HEAD SHOWN, JAMBS SIMILAR



SILL
CONCRETE/MASONRY BOX FRAME INSTALLATION



SILL
WOOD FRAMING OR 2X BUCK BOX FRAME
INSTALLATION



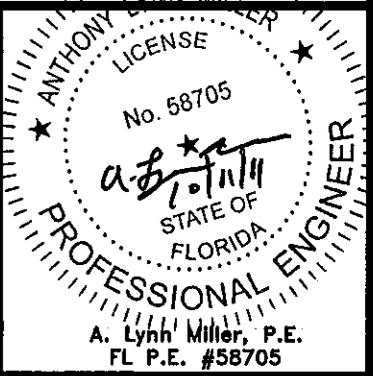
SILL
METAL FRAMING BOX FRAME INSTALLATION

PRODUCT REVISED
as complying with the Florida
Building Code
Acceptance No. 11-1013.20
Expiration Date Sept. 22, 2015
By *Manuel Perez*
Miami/Dade Product Control

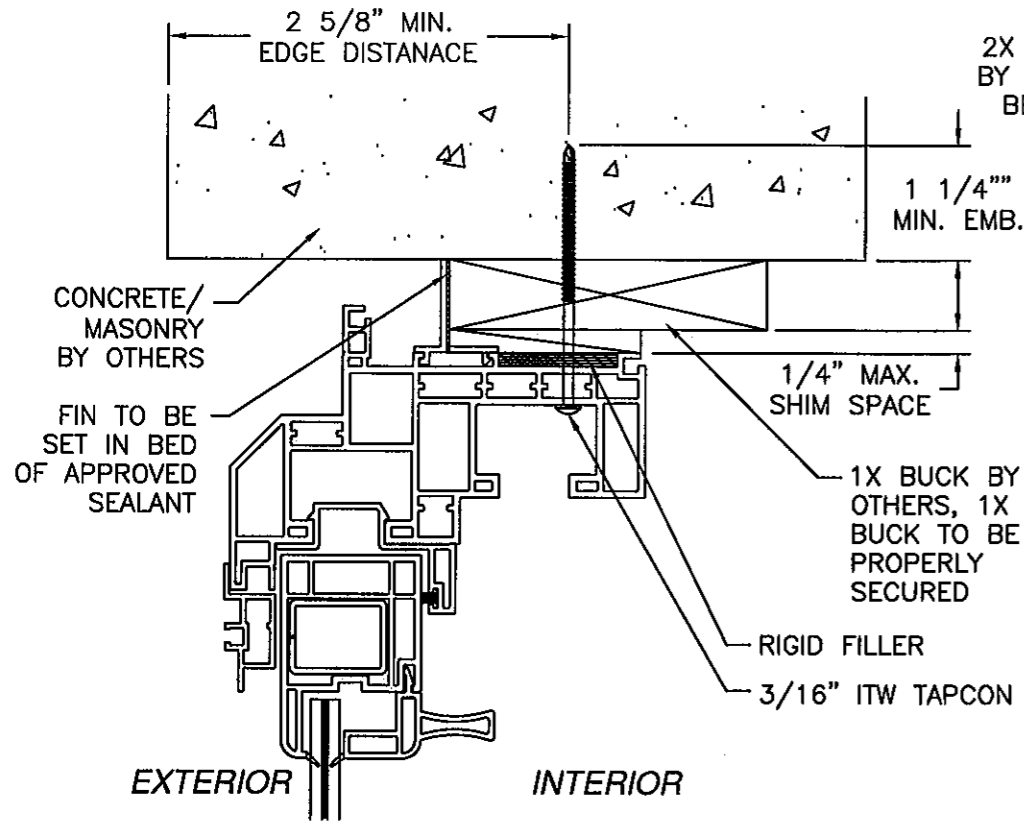
PGT INDUSTRIES
1070 TECHNOLOGY DRIVE
NOKOMIS, FL 34275

DH2760 PVC DOUBLE HUNG WINDOW IMPACT
DH2860 PVC DOUBLE HUNG WINDOW IMPACT
BOX FRAME INSTALLATION DETAILS

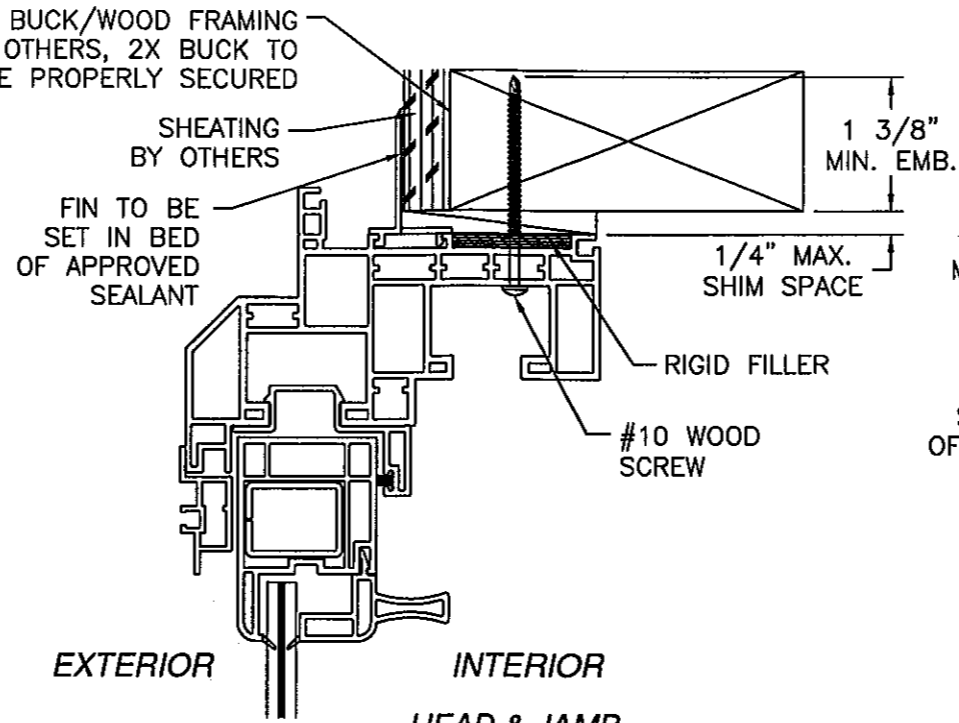
| | | |
|---------------|---------------------|--------------|
| DRAWN: TJH | DWG NO. 08-00884 | REV D |
| SCALE NTS | DATE 10/27/09 | SHEET 5 OF 7 |



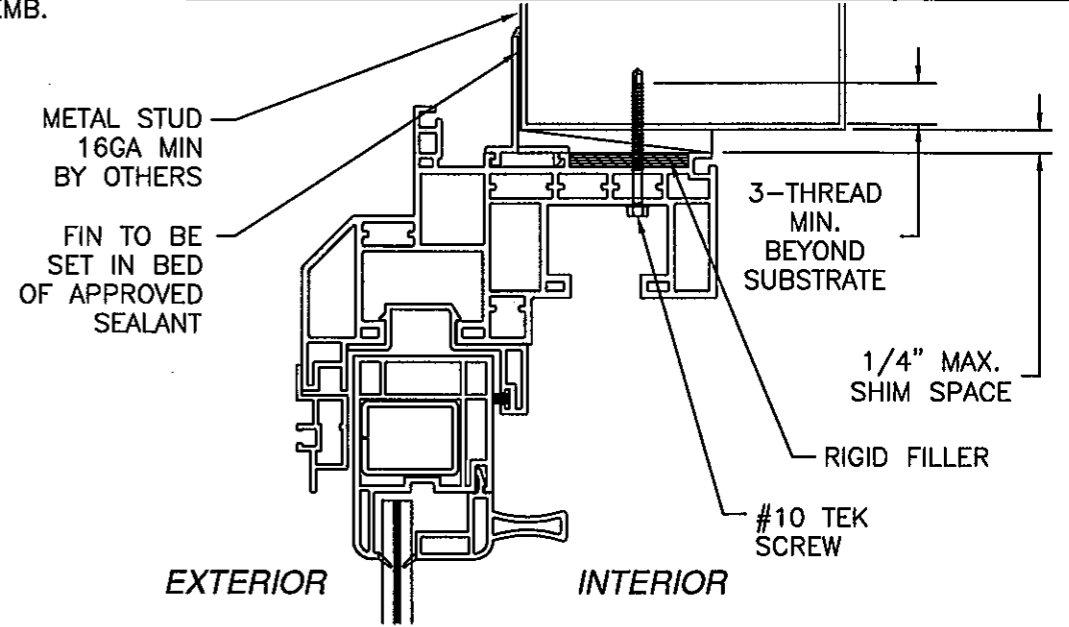
| REVISIONS | | | |
|-----------|---------------------------|----------|----------|
| REV | DESCRIPTION | DATE | APPROVED |
| C | ADDED HARDWARE TO SHEET 3 | 8/17/10 | R.L. |
| D | FBC 2010 CODE CHANGE | 10/12/11 | J.J. |



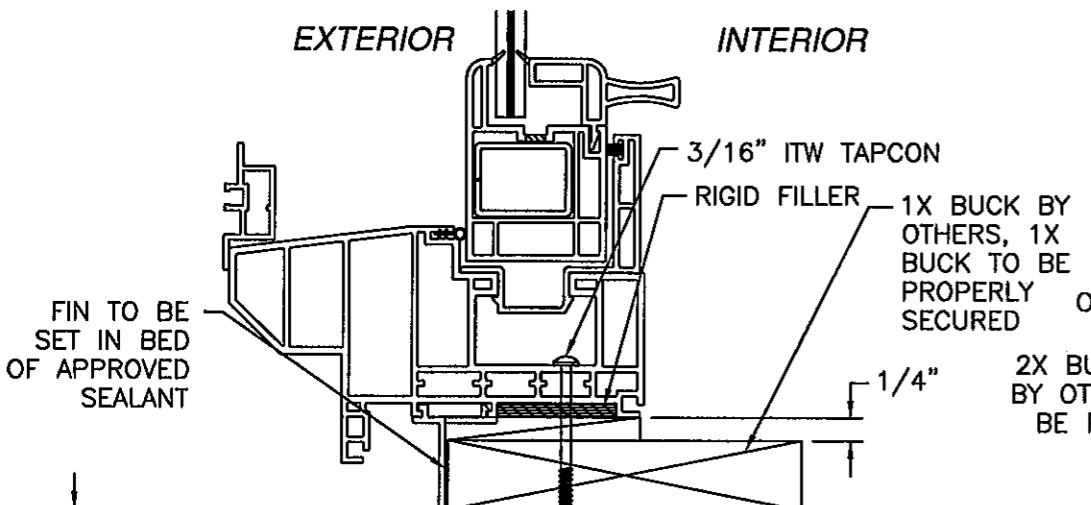
HEAD & JAMB
CONCRETE/MASONRY FIN INSTALLATION
HEAD SHOWN, JAMBS SIMILAR



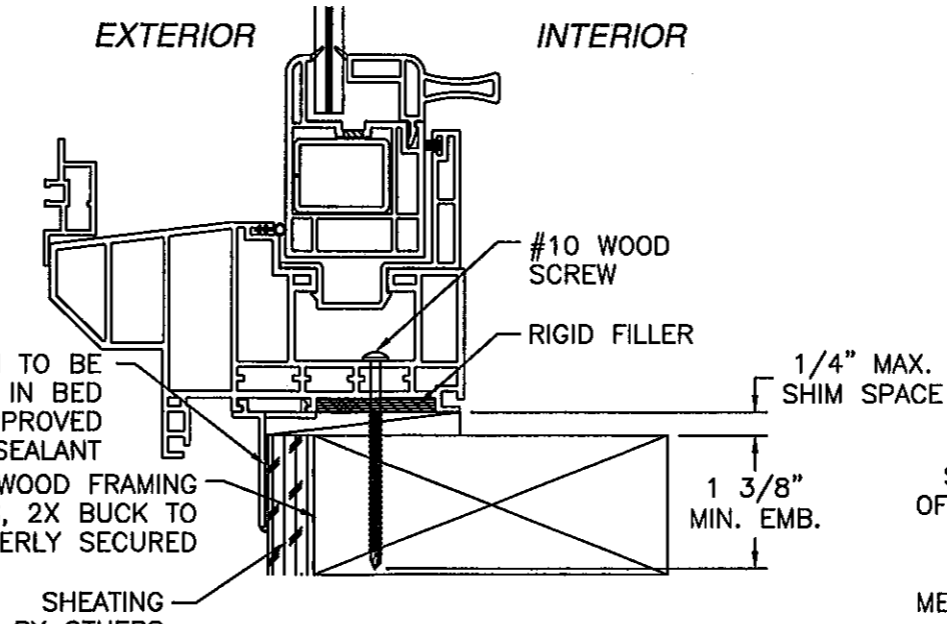
HEAD & JAMB
WOOD FRAMING OR 2X BUCK FIN INSTALLATION
HEAD SHOWN, JAMBS SIMILAR



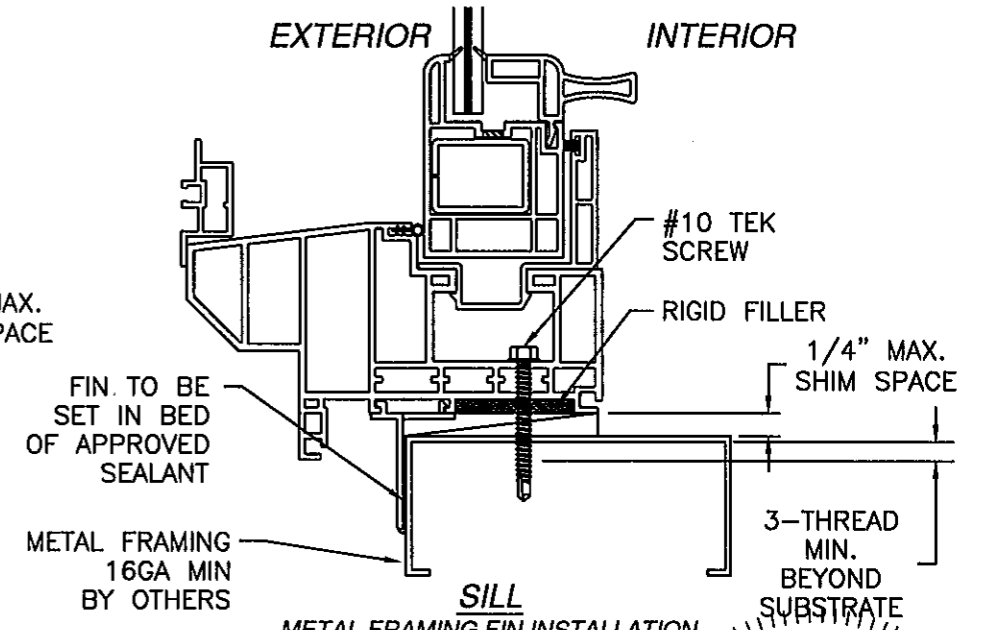
HEAD & JAMB
METAL FRAMING FIN INSTALLATION
HEAD SHOWN, JAMBS SIMILAR



SILL
CONCRETE/MASONRY FIN INSTALLATION



SILL
WOOD FRAMING OR 2X BUCK FIN INSTALLATION



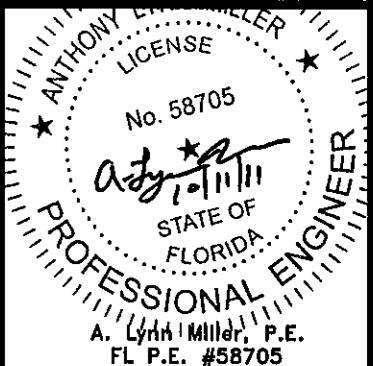
SILL
METAL FRAMING FIN INSTALLATION

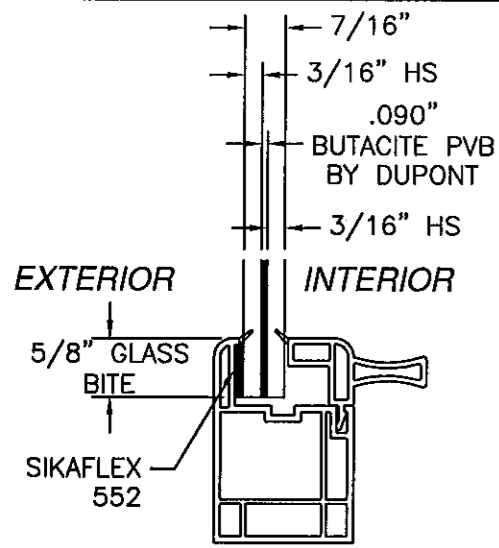
PRODUCT REVISED
as complying with the Florida
Building Code
Acceptance No. 11-1013.20
Expiration Date SEPT. 22, 2015
By *Manuel Perez*
Miami/Dade Product Control

PGT INDUSTRIES
1070 TECHNOLOGY DRIVE
NOKOMIS, FL 34275

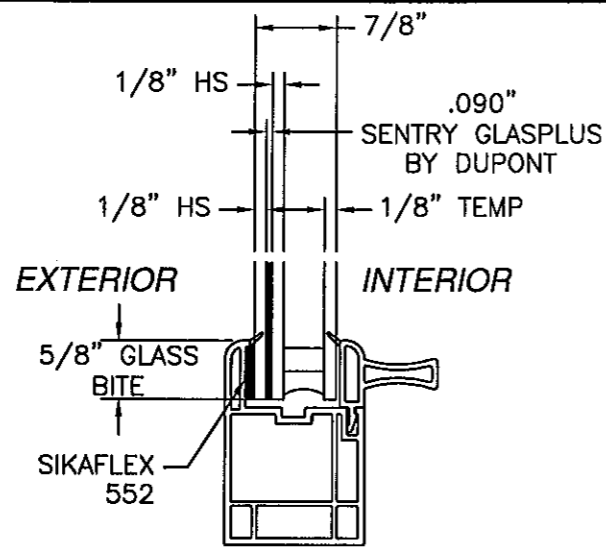
DH2760 PVC DOUBLE HUNG WINDOW IMPACT
DH2860 PVC DOUBLE HUNG WINDOW IMPACT
FIN INSTALLATION DETAILS

| | | |
|---------------|---------------------|--------------|
| DRAWN: TJH | DWG NO. 08-00884 | REV D |
| SCALE NTS | DATE 10/27/09 | SHEET 6 OF 7 |

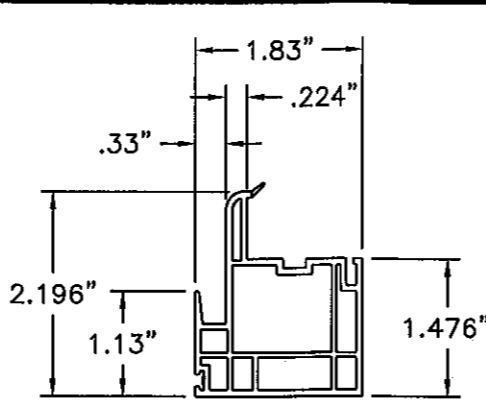




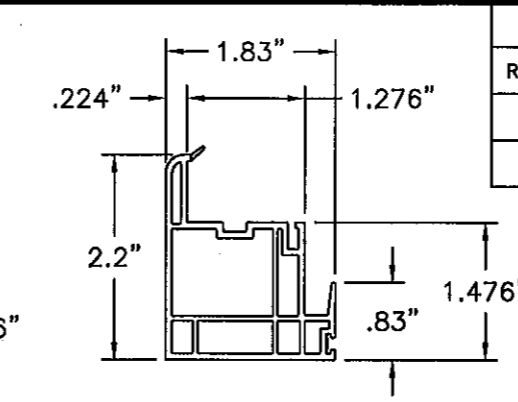
GLASS TYPE A



GLASS TYPE B

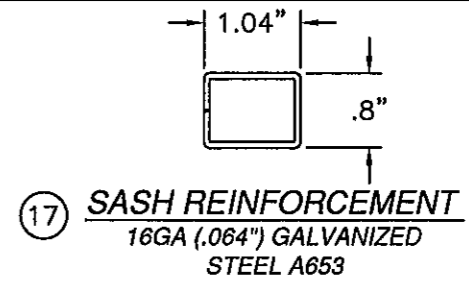


10 INNER SASH INTERLOCK
RIGID WHITE PVC .075" THICK

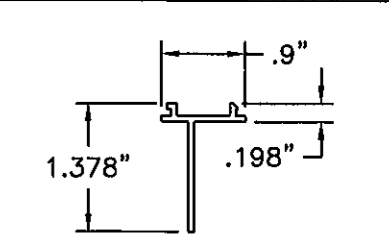


4 OUTER SASH INTERLOCK
RIGID WHITE PVC .075" THICK

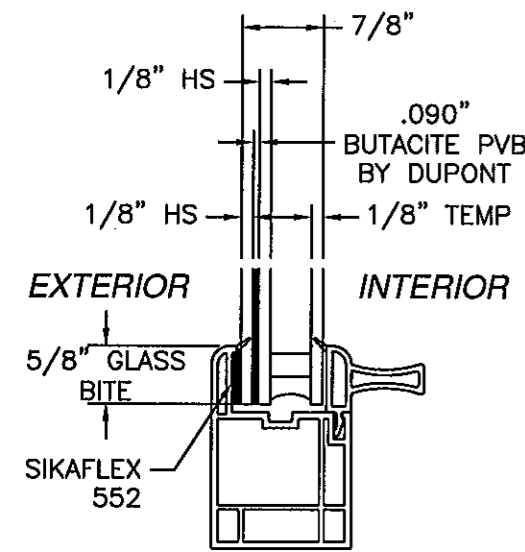
| REVISIONS | | | |
|-----------|---------------------------|----------|----------|
| REV | DESCRIPTION | DATE | APPROVED |
| C | ADDED HARDWARE TO SHEET 3 | 8/17/10 | R.L. |
| D | FBC 2010 CODE CHANGE | 10/12/11 | J.J. |



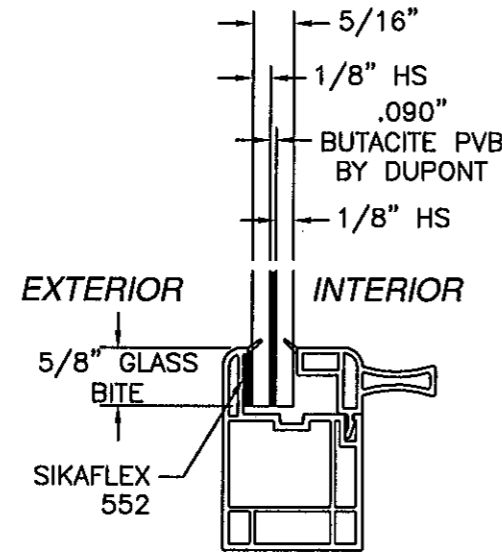
17 SASH REINFORCEMENT
16GA (.064") GALVANIZED
STEEL A653



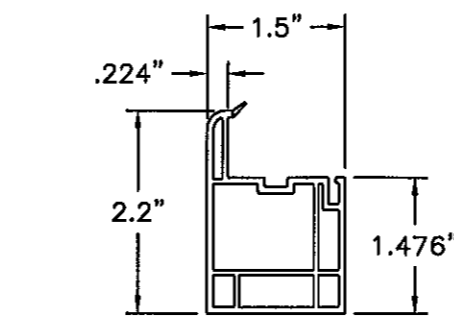
33 FIN ADAPTER
RIGID WHITE PVC .062" THICK



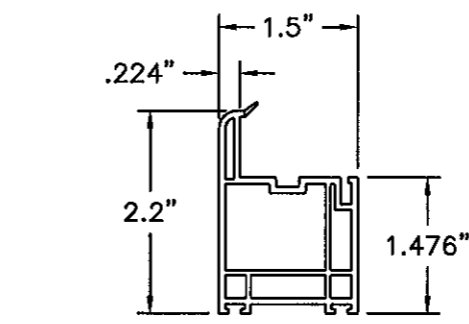
GLASS TYPE C



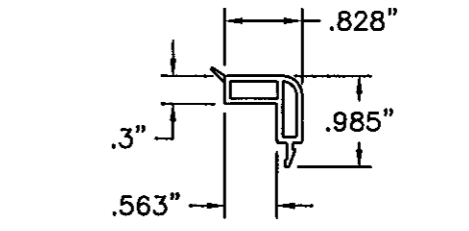
GLASS TYPE D



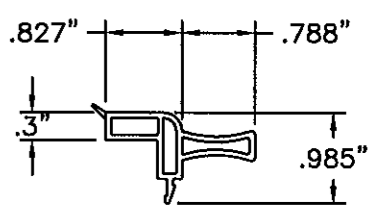
3 SASH HORIZONTAL
RIGID WHITE PVC .10" THICK



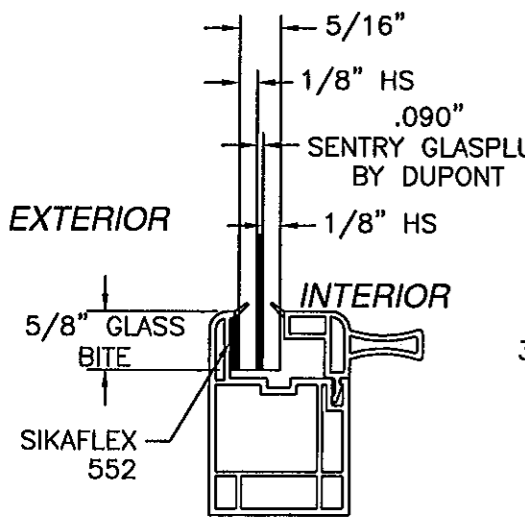
5 SASH VERTICAL
RIGID WHITE PVC .10" THICK



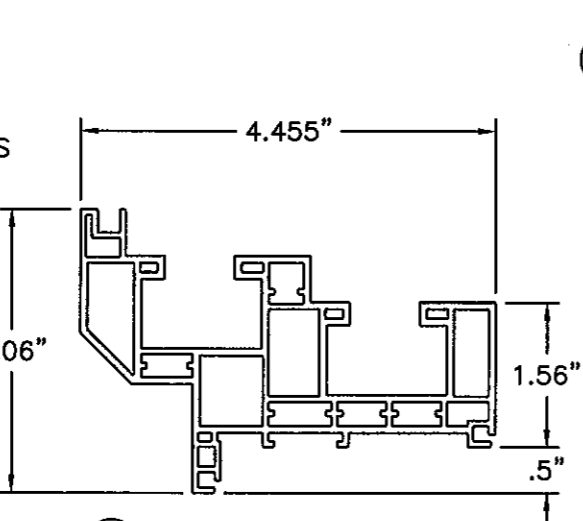
7 5/16" PLAIN BEAD
RIGID WHITE PVC .06" THICK



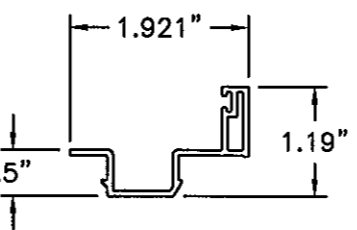
6 5/16" LIFT BEAD
RIGID WHITE PVC .06" THICK



GLASS TYPE E

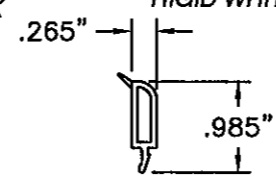


1 FRAME HEAD & JAMB
RIGID WHITE PVC .075" THICK



13 HEAD ADAPTER
RIGID WHITE PVC .06" THICK

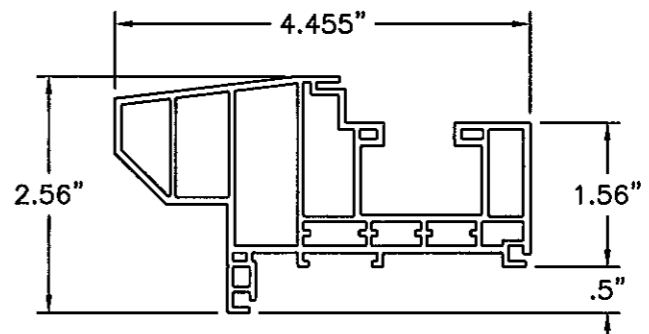
10 7/8" PLAIN BEAD
RIGID WHITE PVC .06" THICK



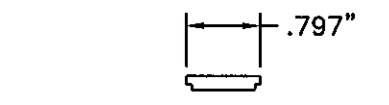
11 7/8" LIFT BEAD (8324)
RIGID WHITE PVC .06" THICK



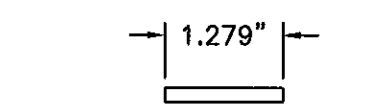
36 BALANCE POCKET STIFFENER
ALUMINUM 6063-T5 .075" THICK



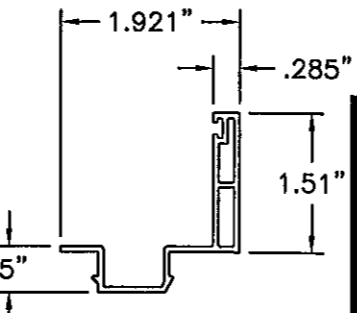
2 FRAME SILL
RIGID WHITE PVC .075" THICK



18 RIGID FILLER
85 DUROMETER
NEOPRENE .15" THICK



12 RIGID FILLER
85 DUROMETER
NEOPRENE .15" THICK



14 SILL ADAPTER
RIGID WHITE PVC .06" THICK

PRODUCT REVISED
as complying with the Florida
Building Code
Acceptance No. 11-1013-20
Expiration Date SEPT 22, 2015
By *Marcus Perez*
Miami Dade Product Control

PGT INDUSTRIES
1070 TECHNOLOGY DRIVE
NOKOMIS, FL 34275

DH2760 PVC DOUBLE HUNG WINDOW IMPACT
DH2860 PVC DOUBLE HUNG WINDOW IMPACT
COMPONENTS AND GLAZING DETAILS

| | | |
|---------------|---------------------|-----------------|
| DRAWN: TJH | DWG NO. 08-00884 | REV D |
| SCALE NTS | DATE 10/27/09 | SHEET 7 OF 7 |

