

WinGuard brand windows refer only to those products that are glazed with PGT laminated glass. Monolithic glazing does not provide hurricane protection.

Specifications:

- Door members are extruded from a minimum of 6063-T6 aluminum alloy (except where noted)
- Finish is white or bronze
- Glazing is exterior
- Mortise locks standard on all doors
- Maximum panel size is 5' x 8' or 4' x 10'
- Available in standard and custom sizes
- Frame members may vary in depth according to configuration
- Stainless steel assembly screws and stainless steel tandem rollers
- 2 3/4" exterior sill standard
- 7/16" laminated glass
- All doors standard with single interlocks
- Sill is clear anodize

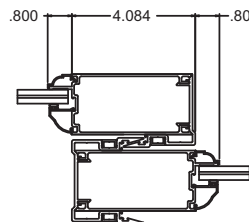
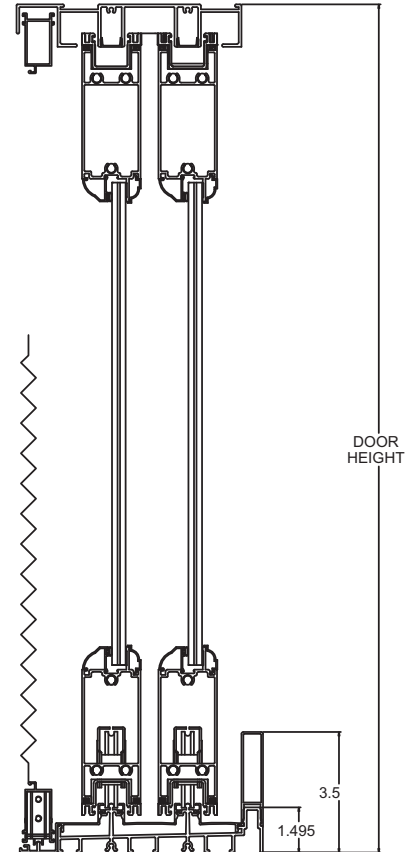
Options:

- 1 1/16" Laminated insulating glass
- Double applied ogee colonial muntins
- Laminated colonial insulating glass (muntins between monolithic tempered cap and laminated glass)
- Simulated divided lite (double applied ogee muntins with muntins between the monolithic tempered cap and laminated glass)
- Multi-panel by-pass and pocket styles
- Popular glass tints
- Tandem nylon roller assembly (no up charge) limited by panel weight
- 1 5/8" sill
- 3 1/2" sill
- 4 1/2" sill
- 5 1/4" sill
- Optional 9" bottom rail (no up charge)
- Satin nickel or polished brass PVD hardware
- Argon gas (laminated insulating glass only)
- Low-E
- Standard box screen
- Premium frame colors are Arizona Beige, Pebble Khaki, Venetian Bronze, Clear Anodize and ETERNA® Finish
- ETERNA® Finish: Acacia, Cherry, Dark Oak, Dark Walnut

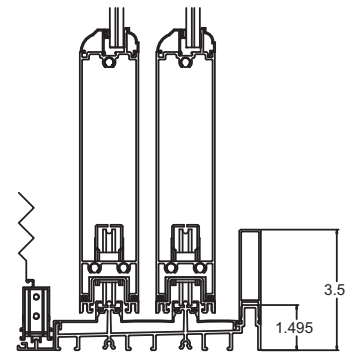
Notes:

- Doors are tested in accordance with PA/TAS 201, 202, and 203 specifications.
- Doors are tested in accordance with AAMA 101/1.S.2/NAFS/02 protocols
- Tested impact resistance to ASTM E1886 and E1996
- Tested forced entry resistance to AAMA 1303.5-1976 and ASTM F842-04
- Tested air infiltration to ASTM E283
- Tested water resistance to E547/E331
- Florida Product Approval available
- Test reports available upon requests
- Miami Dade County N.O.A.

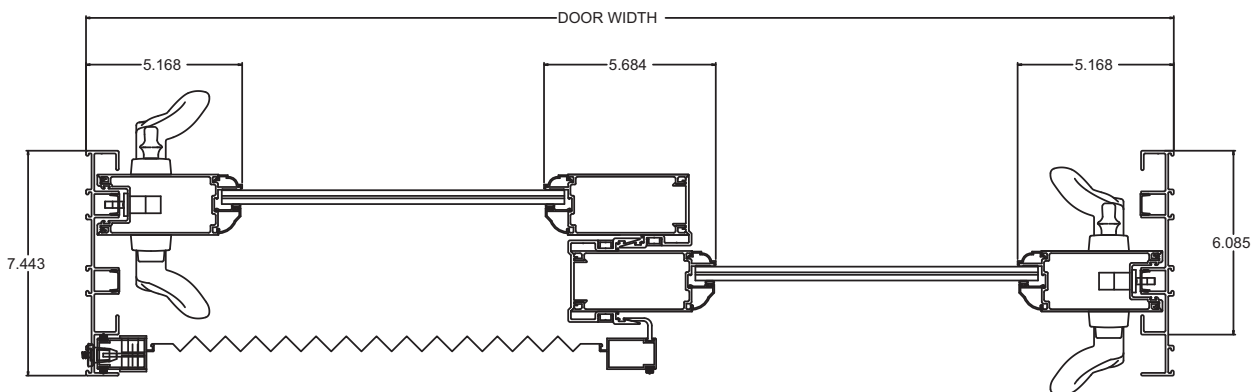
Note: PGT reserves the right to change material design and/or construction without notice or liability



INTERLOCK DETAIL



W/ 9" RAILS (OPTIONAL)



FRAME ASSEMBLY

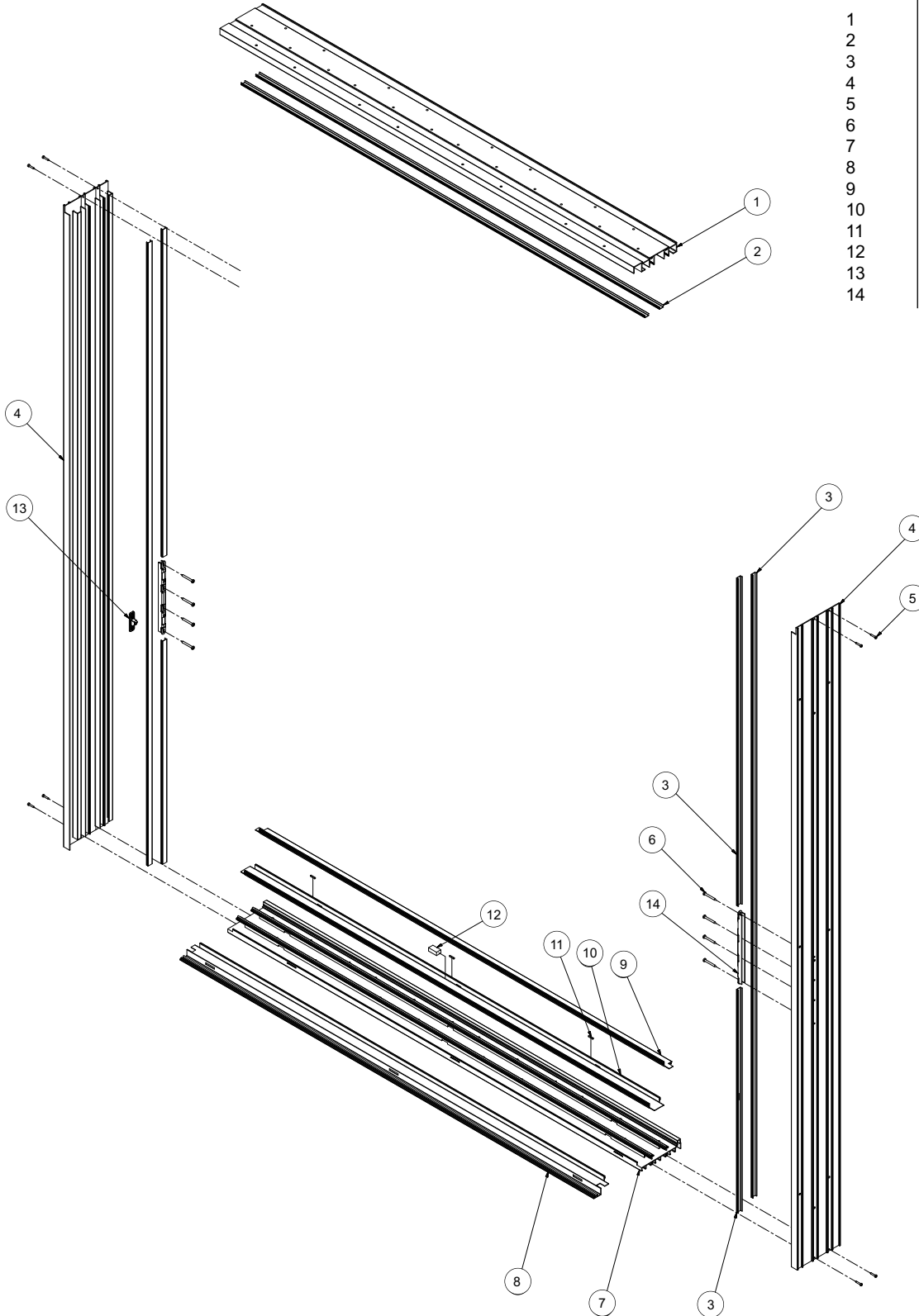


Figure No.	Description
1	2 Track head with screen
2	Head trim cover
3	Screw trim cover
4	2 Track jamb with screen
5	#8 x 1" large quad pn. sms
6	#10 x 2 1/2" lg. ph. pn. ss.
7	2 Track sill base
8	External screen sill cover
9	Internal/external sill cover
10	Mid sill cover
11	Open cell foam pad
12	Dust pad
13	Screen keeper
14	Mortise lock keeper

PANEL ASSEMBLY

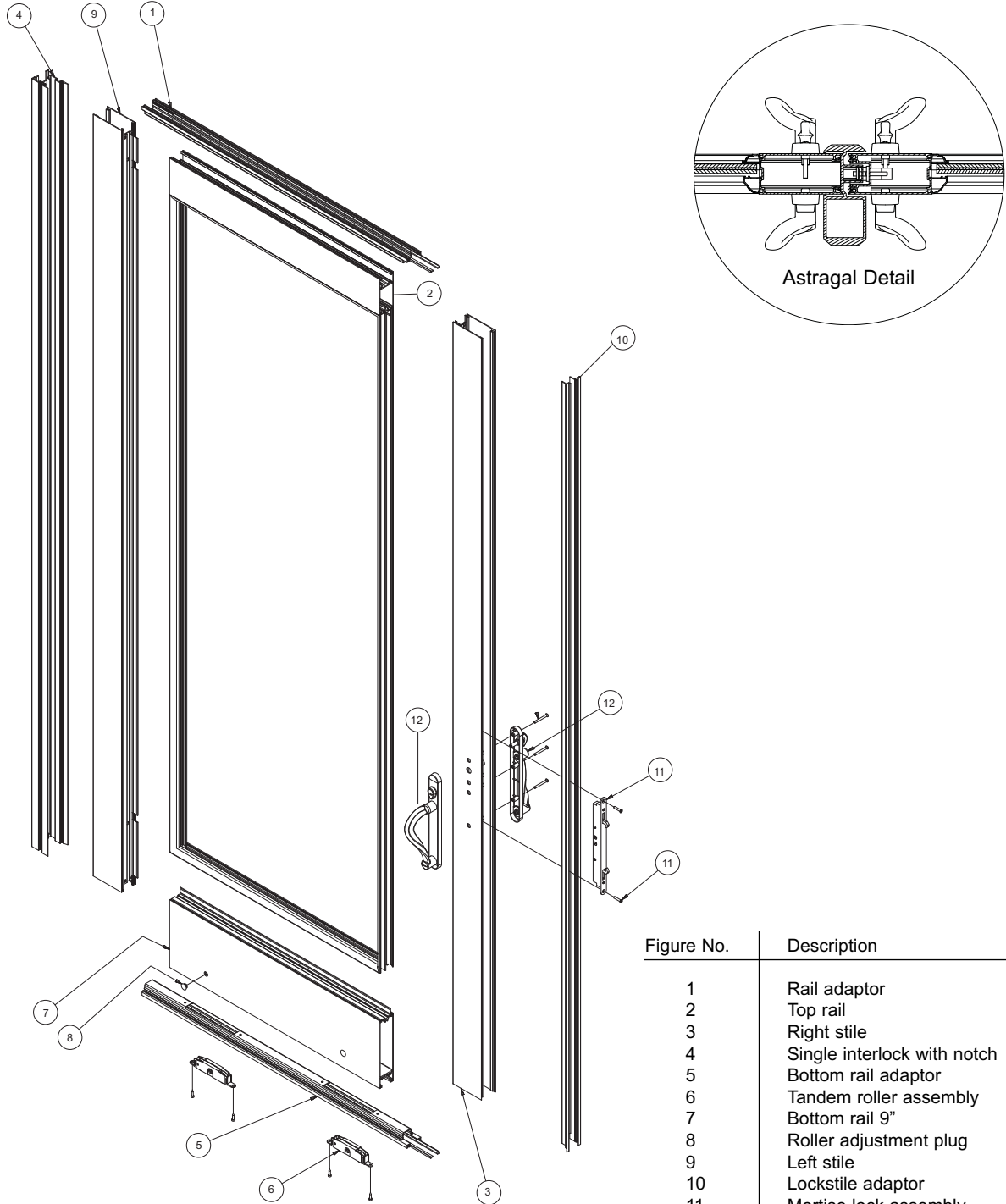


Figure No.	Description
1	Rail adaptor
2	Top rail
3	Right stile
4	Single interlock with notch
5	Bottom rail adaptor
6	Tandem roller assembly
7	Bottom rail 9"
8	Roller adjustment plug
9	Left stile
10	Lockstile adaptor
11	Mortise lock assembly
12	Handset assembly

SCREEN ASSEMBLY

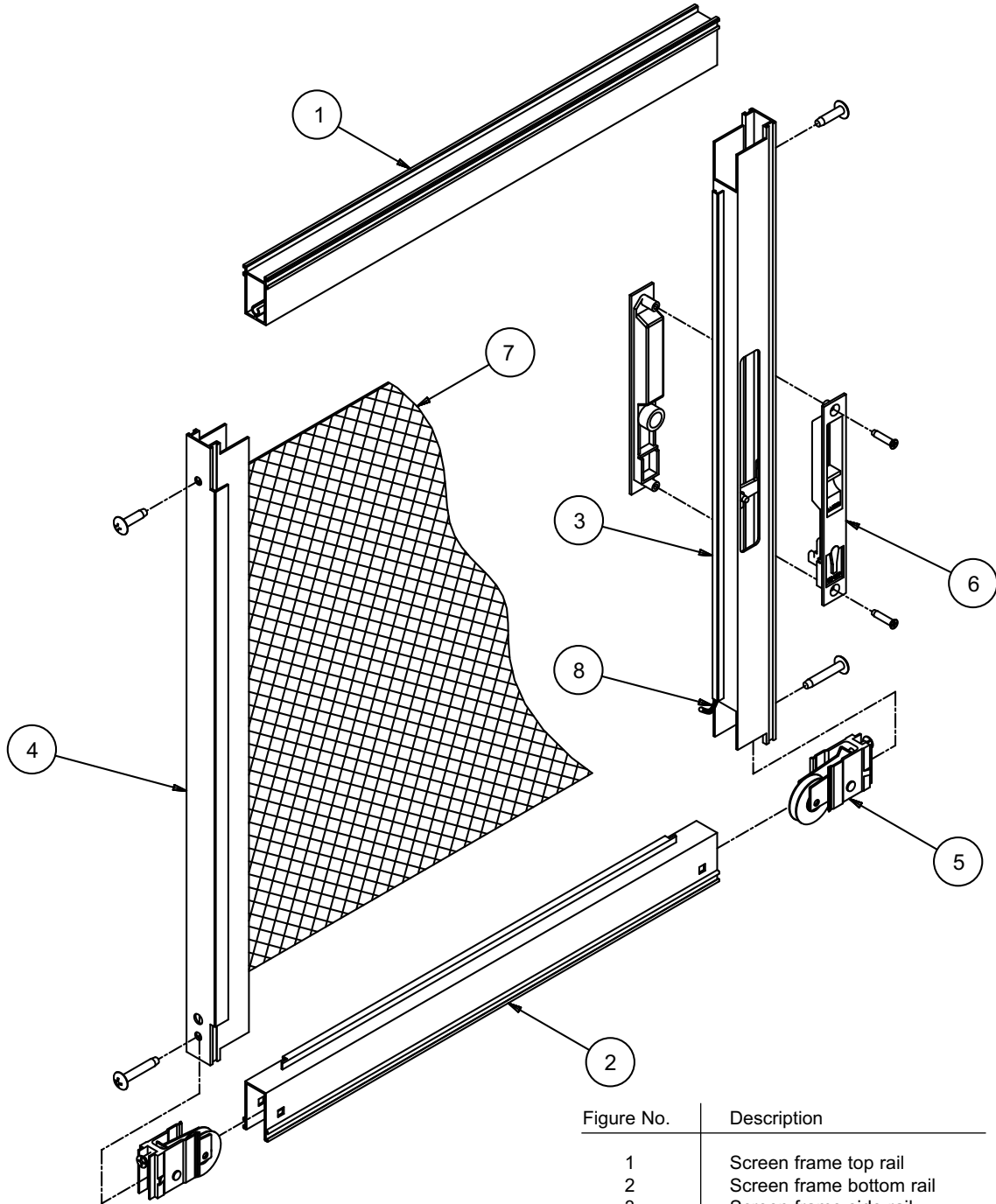
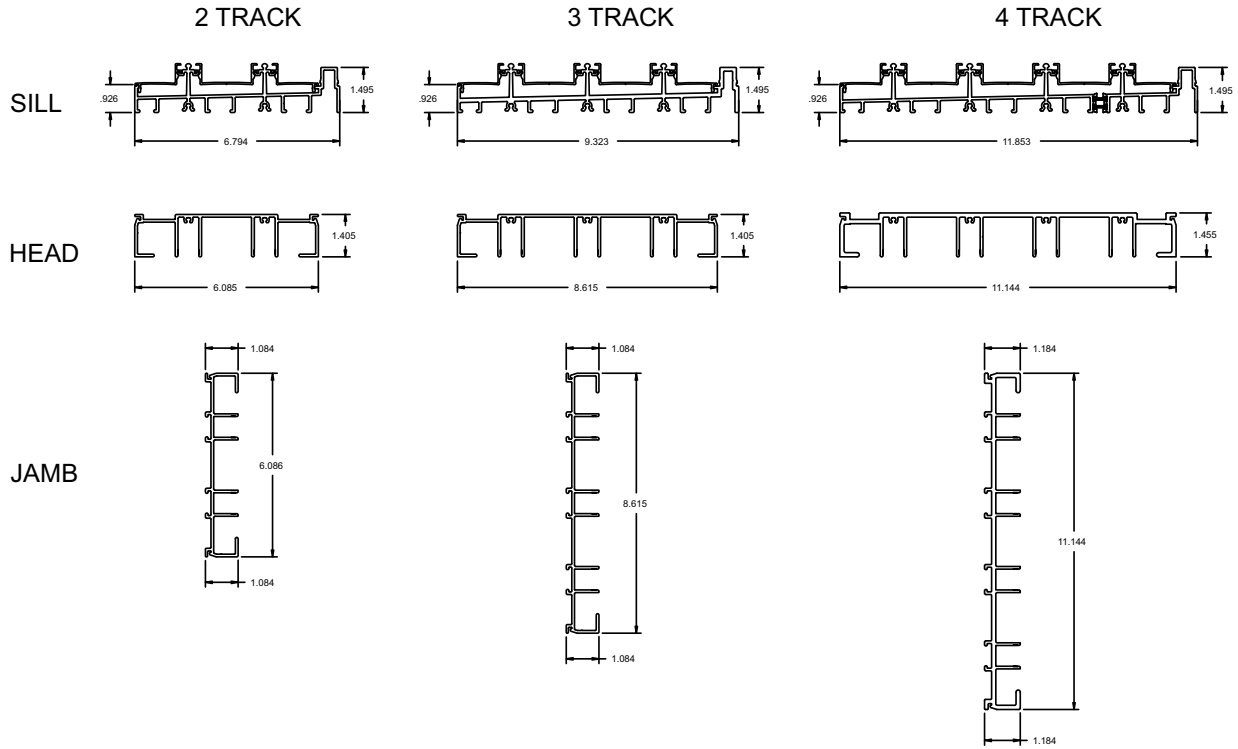
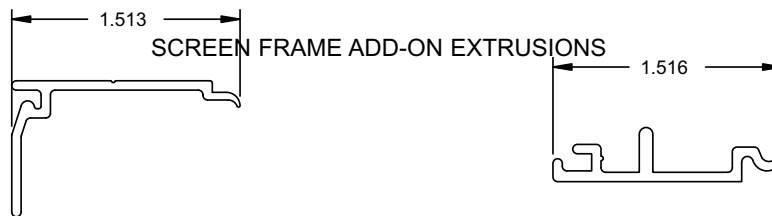
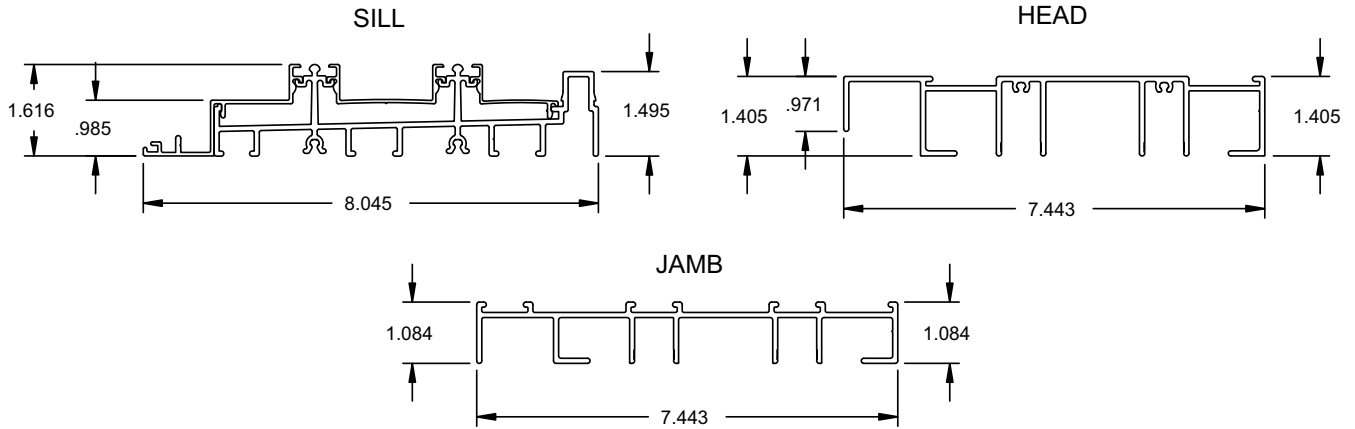


Figure No.	Description
1	Screen frame top rail
2	Screen frame bottom rail
3	Screen frame side rail
4	Screen frame meeting rail
5	Single rollers (standard or s.s.)
6	Interior/exterior panel pull
7	Screen cloth, 1816 mesh
8	Screen spline

MAIN FRAME EXTRUSION PROFILES



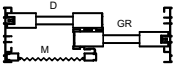
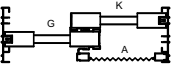
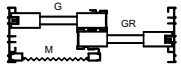
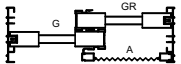
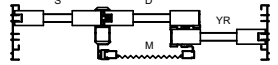
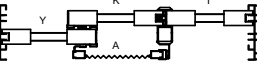
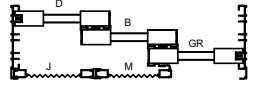
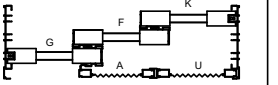
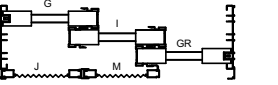
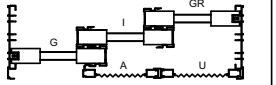
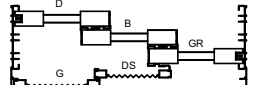
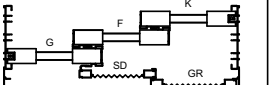
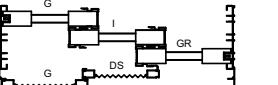
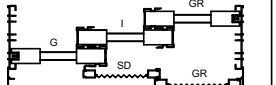
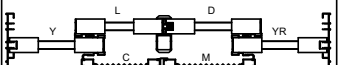
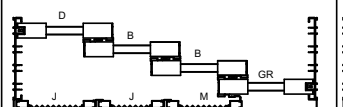
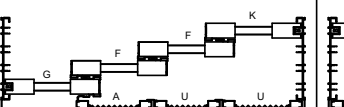
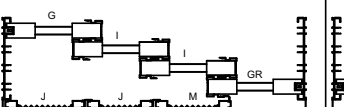
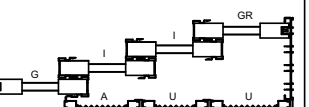
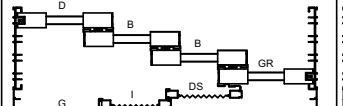
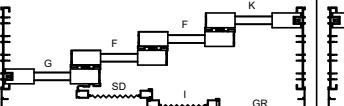
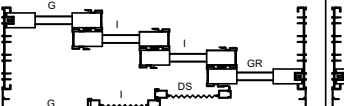
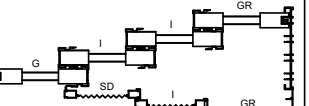
2 TRACK WITH INTEGRAL SCREEN RAIL

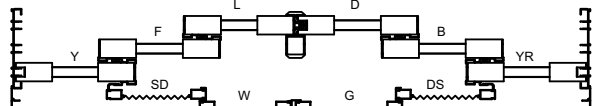
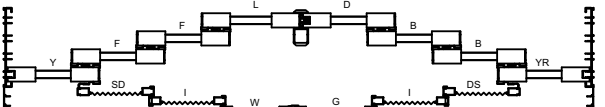


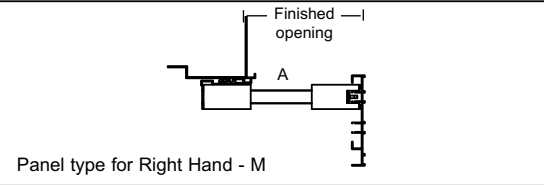
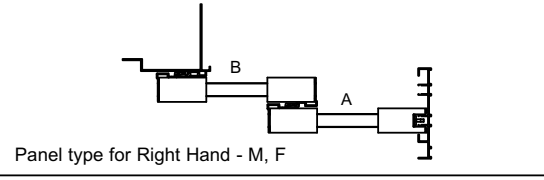
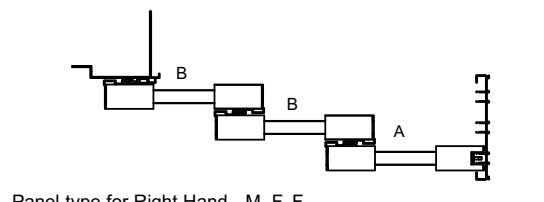
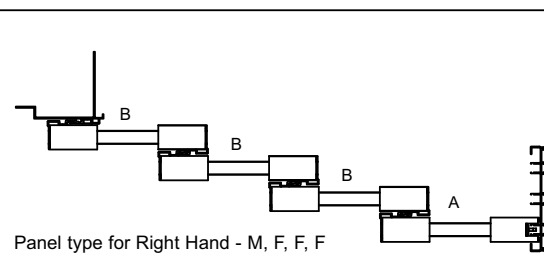
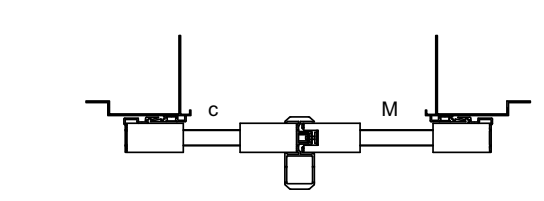
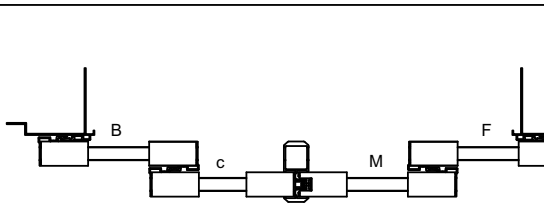
HEAD / JAMB ADAPTER

SILL ADAPTER

Series SGD780

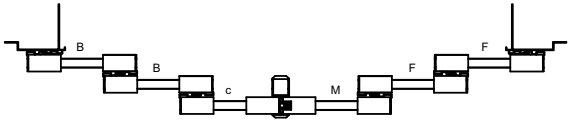
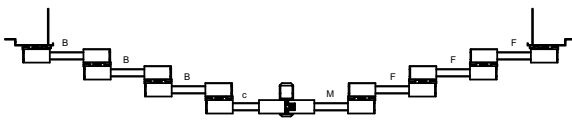
TYPE	STANDARD	REVERSE	DOUBLE INTERLOCK STANDARD	DOUBLE INTERLOCK REVERSE
2P3T XX BOX SCREEN				
3P3T OXO BOX SCREEN			N/A	N/A
3P4T XXX BOX SCREEN				
3P5T XXX BOX SCREEN				
4P3T OXOX BOX SCREEN		SAME AS STANDARD STACK	N/A	N/A
4P5T XXXX BOX SCREEN				
4P7T XXXXX BOX SCREEN				

TYPE	STANDARD	DOUBLE INTERLOCK STANDARD
6P5T XXX.XXX BOX SCREEN		N/A
8P7T XXXXXXXXX BOX SCREEN		N/A

TYPE	SIZE WIDTH	FINISHED OPENING	POCKET DEPTH	TRACK LENGTH	LEFT HAND POCKETS
1P2T 1 POCKET	3 4	34 ⁷ / ₁₆ 46 ⁷ / ₁₆	39 ⁷ / ₈ 51 ⁷ / ₈	74 ⁵ / ₁₆ 98 ⁵ / ₁₆	 <p>Panel type for Right Hand - M</p>
2P2T 1 POCKET	5 6 8	56 ¹ / ₈ 68 ¹ / ₈ 92 ¹ / ₈	33 ⁷ / ₈ 39 ⁷ / ₈ 51 ⁷ / ₈	90 108 144	 <p>Panel type for Right Hand - M, F</p>
3P3T 1 POCKET	7'6" 9 12	83 ¹³ / ₁₆ 101 ¹³ / ₁₆ 137 ¹³ / ₁₆	33 ⁷ / ₈ 39 ⁷ / ₈ 51 ⁷ / ₈	117 ¹¹ / ₁₆ 141 ¹¹ / ₁₆ 189 ¹¹ / ₁₆	 <p>Panel type for Right Hand - M, F, F</p>
4P4T 1 POCKET	10 12 16	111 ¹ / ₂ 135 ¹ / ₂ 183 ¹ / ₂	33 ⁷ / ₈ 39 ⁷ / ₈ 51 ⁷ / ₈	145 ¹ / ₄ 175 ¹ / ₄ 235 ¹ / ₄	 <p>Panel type for Right Hand - M, F, F, F</p>
2P2T 2 POCKET	5 6 8	56 ³ / ₈ 68 ³ / ₈ 92 ³ / ₈	33 ⁷ / ₈ 39 ⁷ / ₈ 51 ⁷ / ₈	124 148 196	
4P2T 2 POCKET	10 12 16	111 ¹¹ / ₁₆ 135 ¹¹ / ₁₆ 183 ¹¹ / ₁₆	33 ⁷ / ₈ 39 ⁷ / ₈ 51 ⁷ / ₈	179 ³ / ₈ 215 ³ / ₈ 287 ³ / ₈	

All doors viewed from the outside.

Series SGD780

TYPE	SIZE WIDTH	FINISHED OPENING	POCKET DEPTH	TRACK LENGTH	LEFT HAND POCKETS
6P3T 2 POCKET	15	167 ¹ / ₁₆	33 ⁷ / ₈	234 ³ / ₄	
	18	203 ¹ / ₁₆	39 ⁷ / ₈	282 ³ / ₄	
	24	275 ¹ / ₁₆	51 ⁷ / ₈	378 ³ / ₄	
8P4T 2 POCKET	20	222 ³ / ₈	33 ⁷ / ₈	290 ¹ / ₁₆	
	24	270 ³ / ₈	39 ⁷ / ₈	350 ¹ / ₁₆	
	32	366 ³ / ₈	51 ⁷ / ₈	470 ¹ / ₁₆	

NOTES AND ADDITIONAL PRICING

Panels and Frame

1. Minimum panel size is 28" x 32 5/8"
2. Maximum panel size for laminated is 5' x 8' or 4' x 10'
3. Maximum size for laminated insulating is 5' x 8' or 4' x 10'
4. PVD finish hardware handle set (gold, stain nickel) - add \$300 per locking stile
 - 2P2T add: \$300 for XO or OX configurations or \$600 for XX configurations
 - 2P2T 1P add: \$300
 - 2P2T 2P add: \$600
 - 3P2T add: \$300 for OXO configuration
 - 3P3T add: \$300 for XXO or OXX configurations or \$600 for XXX configurations
 - 3P3T 1P add: \$300
 - 4P2T add: \$600 for OXXO configurations or \$1200 for XXXX configurations
 - 4P2T 2P add: \$600
 - 4P4T add: \$300 for XXXO or OXXX configurations or \$600 for XXXX configurations
 - 4P4T 1P add: \$300
 - 6P3T add: \$600 for OXXXXO configurations or \$1200 for XXXXXX configurations
 - 6P3T 2P add: \$600
 - 8P4T add: \$600 for OXXXXXXO configurations or \$1200 for XXXXXXXX configurations
 - 8P4T 2p add: \$600
5. Keylock
 - Standard handle sets add \$25 per keyed lockset
 - PVD handle sets add \$35 per keyed lockset
6. 1 5/8" add-on sill no additional up charge (does not provide a water design pressure)
7. 2 3/4" add-on sill no additional up charge
8. 3 1/2" add-on sill standard no additional up charge
9. 4 1/2" add-on sill available at \$14 list per foot
10. 5 1/4" add-on sill available at \$16 list per foot
11. Custom sizes and counter-top units use next largest size plus 25%
12. 4" bottom rail standard, 9" bottom rail optional with no up charge
13. Premium frame colors are Arizona Beige, Pebble Khaki, Venetian Bronze, Clear Anodize, and Eterna® Finish

Glass

14. Laminated insulating glass make-up: 3/16" tempered monolithic - air - 3/16" heat strength - .090 interlayer - 3/16" heat strength
15. Options specific to insulating and laminated glass:
 - Low-E options below:
 - LWE (hard coat) - add Low-E up charge to LIG option price
 - LEH (soft coat) - add Low-E up charge to base price
 - L7 (soft coat) - add Low-E up charge plus 10% to base price
 - Argon gas - add \$7 list per glass lite (XX unit = 2 lites)
 - Double tints are N/A on LIG
16. White interlayer is not available with SGP interlayer
17. SGP interlayer is standard above a nominal 4' x 8' panel

Colonial Muntins

18. Custom colonial configurations - add 20% colonial up charge
19. Double ogee colonial: raised ogee muntin outside and raised ogee muntin inside
20. Simulated divided lite: colonial insulated internal grids between glass with double ogee colonial
 - add double ogee colonial price and colonial insulated
21. Brittany style colonial priced same as standard colonial
22. Premium frame color with CIG, use colonial insulating glass column

Miscellaneous

23. Nylon tandem rollers optional at no extra charge (not available on lami IG over a 4' x 8' panel)
24. Standard hardware (white or black) included in base price
25. Specify standard or reverse stack

ETERNA™ Finish

26. Finishes available: Acacia, Cherry, Dark Oak, Dark Walnut
27. Muntin options are double applied ogee: ogee inside and outside and colonial insulating
 - grids between glass on colonial insulating will be bronze finish
28. Color restoration system is available. Two paint shade pens per stain color.



Aluminum Sliding Glass Door

Series SGD780

6'8" By-Pass

Available in White & Bronze

List Price

SERIES SGD780

Unit Designation & Configuration	Size Code	Width x Height	LAMINATED GLASS 7/16" 3/16" ANN - .090 - 3/16" HS			ADD TO LIST PRICE FOR THESE OPTIONS													Main Frame only
			Clear	Bronze Gray Green Obscure	Az Blue Slr Cool	Premium Frame Color	Premium Color Muntins	1 1/16" Lami IG	1 1/16" Lami CIG	Low-E	Ogee Double Raised Colonial	Box Screen	Double Interlock Upgrade	SGP	Alum Reinf	HS / TMP Glass	White Interlayer		
2P2T XX, OX, XO	5068	60 x 80	\$2576	\$2606	\$2795	\$583	\$269	\$366	\$481	\$220	\$230	\$142	\$29	\$114	\$160	\$172	\$135	\$403	
	6068	72 x 80	2946	2984	3219	667	338	461	605	277	289	149	29	130	160	207	162	431	
	8068	96 x 80	3685	3738	4067	835	397	649	853	390	340	165	29	163	160	276	217	484	
	10068	120 x 80	4794	4861	5284	1041	497	838	1100	503	425	180	29	Inc.	160	346	N/A	537	
3P3T XXX, XXO, OXX	7668	87 11/16 x 80	3799	3845	4128	861	404	550	722	330	346	286	59	168	320	259	246	573	
	9068	105 11/16 x 80	4370	4426	4779	990	506	691	908	415	433	304	59	194	320	311	246	626	
	12068	141 11/16 x 80	5510	5589	6082	1249	596	974	1279	585	510	339	59	244	320	414	328	729	
	15068	177 11/16 x 80	7284	7387	8021	1584	746	1257	1650	755	638	374	59	Inc.	320	518	N/A	833	
4P2T XXXX, OXXO	10068	119 7/16 x 80	5003	5064	5441	1134	539	733	963	440	461	254	N/A	222	320	346	270	692	
	12068	143 7/16 x 80	5742	5818	6289	1301	676	922	1210	554	578	269	N/A	255	320	414	325	775	
	16068	191 7/16 x 80	7221	7327	7985	1636	795	1299	1706	780	680	300	N/A	320	320	553	434	910	
	20068	239 7/16 x 80	9437	9574	10419	2048	994	1676	2201	1007	850	332	N/A	Inc.	320	690	N/A	1017	
4P4T XXXX, OXXX, XXXO	10068	115 3/8 x 80	5087	5147	5525	1153	539	733	963	440	461	439	88	226	480	346	270	751	
	12068	139 3/8 x 80	5871	5947	6418	1330	676	922	1210	554	578	467	88	260	480	414	325	804	
	16068	187 3/8 x 80	7439	7546	8204	1686	795	1299	1706	780	680	524	88	330	480	553	434	942	
	20068	235 3/8 x 80	9909	10044	10986	2157	994	1676	2201	1007	850	582	88	Inc.	480	690	N/A	1109	
3P2T OXO	9068	109 3/4 x 80	4133	4190	4543	936	506	691	908	415	433	155	N/A	183	160	311	246	712	
	12068	145 3/4 x 80	5252	5331	5825	1190	596	974	1279	585	510	169	N/A	233	160	414	328	792	
	15068	181 3/4 x 80	6843	6946	7579	1482	746	1257	1650	755	638	188	N/A	Inc.	160	518	N/A	872	
6P3T XXXXXX, OXXXXX	15068	174 3/4 x 80	7987	8084	8695	1810	808	1100	1444	661	691	521	N/A	354	640	518	494	1051	
	18068	210 3/4 x 80	9218	9340	10103	2089	1014	1383	1816	831	867	556	N/A	409	640	621	494	1154	
	24068	282 3/4 x 80	11680	11852	12918	2647	1193	1948	2559	1171	1020	625	N/A	519	640	828	656	1361	
	30068	354 3/4 x 80	15467	15687	17058	3371	1492	2514	3301	1511	1276	696	N/A	Inc.	640	1036	N/A	1570	
8P4T XXXXXXXX, OXXXXXO	20068	230 3/16 x 80	10712	10813	11658	2428	1077	1467	1926	881	921	800	N/A	476	960	690	542	1323	
	24068	278 3/16 x 80	12406	12570	13587	2812	1351	1844	2421	1108	1155	858	N/A	551	960	828	650	1490	
	32068	374 3/16 x 80	15794	16023	17444	3580	1592	2598	3412	1561	1361	972	N/A	701	960	1104	868	1824	
	40068	470 3/16 x 80	21064	21358	23186	4596	1990	3352	4402	2015	1701	1087	N/A	Inc.	960	1381	N/A	2156	

Always check with your local building officials for compliance requirements.



Aluminum Sliding Glass Door

Series SGD780

6'8" Pocket

Available in White & Bronze

List Price

SERIES SGD780

Unit Designation & Configuration	Size Code	Width x Height	LAMINATED GLASS 7/16" 3/16" ANN - .090 - 3/16" HS			ADD TO LIST PRICE FOR THESE OPTIONS											Main Frame only
			Clear	Bronze Gray Green Obscure	Az Blue Slr Cool	Premium Frame Color	Premium Frame Color Muntins	1 1/16" Lami IG	1 1/16" Lami CIG	Low-E	Ogee Double Raised Colonial	SGP	Alum Reinf	HS / TMP Glass	White interlayer		
1P2T 1 POCKET	3068	34 7/16 x 80	\$1706	\$1725	\$1842	\$386	\$168	\$230	\$302	\$138	\$144	\$75	N/A	\$104	\$82	\$276	
	4068	46 7/16 x 80	2103	2129	2294	476	198	324	426	195	170	93	N/A	138	109	303	
	5068	58 7/16 x 80	2598	2633	2844	566	249	419	550	251	213	Inc.	N/A	172	N/A	329	
2P2T 1 POCKET	5068	56 1/8 x 80	2600	2630	2819	589	269	366	481	220	230	115	160	172	135	334	
	6068	68 1/8 x 80	2984	3021	3257	676	338	461	605	277	289	132	160	207	162	360	
	8068	92 1/8 x 80	3751	3804	4133	850	397	649	853	390	340	166	160	276	217	413	
	10068	116 1/8 x 80	4881	4949	5372	1062	497	838	1100	503	425	Inc.	160	346	N/A	467	
3P3T 1 POCKET	7668	83 13/16 x 80	3853	3898	4180	873	404	550	722	330	346	171	320	259	246	502	
	9068	101 13/16 x 80	4442	4499	4852	1006	506	691	908	415	433	197	320	311	246	554	
	12068	137 13/16 x 80	5620	5699	6194	1273	596	974	1279	585	510	249	320	414	328	657	
	15068	173 13/16 x 80	7428	7529	8164	1618	746	1257	1650	755	638	Inc.	320	518	N/A	761	
4P4T 1 POCKET	10068	111 1/2 x 80	5117	5177	5555	1160	539	733	963	440	461	227	320	346	270	620	
	12068	135 1/2 x 80	5915	5990	6461	1340	676	922	1210	554	578	262	320	414	325	703	
	16068	183 1/2 x 80	7510	7615	8274	1702	795	1299	1706	780	680	333	320	553	434	870	
	20068	231 1/2 x 80	9999	10135	10980	2179	994	1676	2201	1007	850	Inc.	320	690	N/A	1037	
2P2T 2 POCKET	5068	56 3/8 x 80	2787	2817	3005	631	269	366	481	220	230	123	N/A	172	135	468	
	6068	68 3/8 x 80	3184	3222	3457	721	338	461	605	277	289	141	N/A	207	162	494	
	8068	92 3/8 x 80	3980	4032	4361	902	397	649	853	390	340	176	N/A	276	217	547	
	10068	116 3/8 x 80	4968	5036	5460	1082	497	838	1100	503	425	Inc.	N/A	346	N/A	594	
4P2T 2 POCKET	10068	111 11/16 x 80	4973	5033	5410	1127	539	733	963	440	461	221	320	346	270	608	
	12068	135 11/16 x 80	5740	5816	6287	1301	676	922	1210	554	578	255	320	414	325	661	
	16068	183 11/16 x 80	7274	7381	8039	1648	795	1299	1706	780	680	323	320	553	434	767	
	20068	231 11/16 x 80	9534	9670	10517	2073	994	1676	2201	1007	850	Inc.	320	690	N/A	874	
6P3T 2 POCKET	15068	167 1/16 x 80	8012	8111	8721	1816	808	1100	1444	661	691	356	640	518	518	908	
	18068	203 1/16 x 80	9285	9407	10170	2104	1014	1383	1816	831	867	412	640	621	621	1012	
	24068	275 1/16 x 80	11831	12002	13068	2681	1193	1948	2559	1171	1020	525	640	828	828	1219	
	30068	347 1/16 x 80	15687	15908	17277	3424	1492	2514	3301	1511	1276	Inc.	640	1036	N/A	1426	
8P4T 2 POCKET	20068	222 3/8 x 80	10678	10809	11684	2420	1077	1467	1926	881	921	474	960	690	542	1187	
	24068	270 3/8 x 80	12400	12564	13580	2810	1351	1844	2421	1108	1155	551	960	828	650	1354	
	32068	366 3/8 x 80	15845	16073	17495	3591	1592	2598	3412	1561	1361	704	960	1104	868	1687	
	40068	462 3/8 x 80	21160	21454	23280	4621	1990	3352	4402	2015	1701	Inc.	960	1381	N/A	2020	

Always check with your local building officials for compliance requirements.



Aluminum Sliding Glass Door

Series SGD780

8'0" By-Pass

Available in White & Bronze

List Price

SERIES SGD780

Unit Designation & Configuration	Size Code	Width x Height	LAMINATED GLASS 7/16" 3/16" ANN - .090 - 3/16" HS			ADD TO LIST PRICE FOR THESE OPTIONS												Main Frame only
			Clear	Bronze Gray Obscure	Az Blue Slr Cool	Premium Frame Color	Premium Frame Color Muntins	1 1/16" Lami IG	1 1/16" Lami CIG	Low-E	Ogee Double Raised Colonial	Box Screen	Double Interlock Upgrade	SGP	Alum Reinf	HS / TMP Glass	White Interlayer	
2P2T XX, OX, XO	5080	60 x 96	\$2983	\$3020	\$3252	\$676	\$315	\$453	\$539	\$272	\$270	\$156	\$35	\$132	\$192	\$166	\$162	\$427
	6080	72 x 96	3422	3435	3757	775	397	569	677	342	340	164	35	152	192	207	195	455
	8080	96 x 96	4300	4365	4768	974	469	802	955	482	401	180	35	191	192	249	261	508
	10080	120 x 96	5626	5708	6226	1220	586	1035	1232	622	501	197	35	Inc.	192	331	N/A	561
3P3T XXX, XXO, OXX	7680	87 11/16 x 96	4412	4468	4814	1000	596	679	808	408	510	314	71	196	384	311	296	605
	9080	105 11/16 x 96	5086	5156	5588	1152	596	854	1016	513	510	333	71	226	384	373	296	657
	12080	141 11/16 x 96	6434	6531	7136	1458	705	1204	1432	723	603	369	71	285	384	497	393	761
	15080	177 11/16 x 96	8552	8677	9454	1857	881	1553	1848	933	753	406	71	Inc.	384	621	N/A	864
4P2T XXXX, OXXX	10080	119 7/16 x 96	5803	5877	6339	1315	631	906	1078	544	540	278	N/A	257	384	414	325	774
	12080	143 7/16 x 96	6681	6774	7350	1514	795	1139	1355	684	680	295	N/A	296	384	497	390	827
	16080	191 7/16 x 96	8436	8566	9372	1912	939	1605	1910	964	803	328	N/A	374	384	663	487	934
	20080	239 7/16 x 96	11086	11252	12288	2404	1174	2071	2464	1245	1004	360	N/A	Inc.	384	828	N/A	1041
4P4T XXXX, OXXX, XXXO	10080	115 3/8 x 96	5904	5979	6440	1338	631	906	1078	544	540	479	106	262	576	414	325	715
	12080	139 3/8 x 96	6827	6920	7497	1547	795	1139	1355	684	680	509	106	303	576	497	390	799
	16080	187 3/8 x 96	8673	8802	9609	1965	939	1605	1910	964	803	569	106	385	576	663	487	966
	20080	235 3/8 x 96	11612	11778	12814	2525	1174	2071	2464	1245	1004	629	106	Inc.	576	828	N/A	1131
3P2T OXO	9080	109 3/4 x 96	4842	4912	5344	1097	596	854	1016	513	510	170	N/A	215	192	373	296	736
	12080	145 3/4 x 96	6169	6266	6871	1398	705	1204	1432	723	603	184	N/A	274	192	497	393	816
	15080	181 3/4 x 96	8066	8192	8969	1746	881	1553	1848	933	753	204	N/A	Inc.	192	621	N/A	896
6P3T XXXXXX, OXXXXX	15080	174 3/4 x 96	9282	9402	10151	2104	947	1359	1617	817	810	568	N/A	412	768	621	592	1082
	18080	210 3/4 x 96	10738	10888	11823	2433	1192	1709	2033	1027	1019	604	N/A	477	768	746	592	1186
	24080	282 3/4 x 96	13649	13860	15165	3093	1408	2408	2865	1447	1204	678	N/A	606	768	994	788	1394
	30080	354 3/4 x 96	18168	18437	20115	3957	1760	3107	4080	1867	1505	752	N/A	Inc.	768	1243	N/A	1601
8P4T XXXXXXXX, OXXXXXO	20080	230 3/16 x 96	12440	12600	13597	2819	1262	1812	2156	1089	1079	870	N/A	552	1152	828	650	1347
	24080	278 3/16 x 96	14433	14632	15878	3271	1590	2278	2711	1369	1359	930	N/A	641	1152	994	780	1514
	32080	374 3/16 x 96	18419	18698	20440	4174	1879	3210	3820	1929	1606	1050	N/A	818	1152	1325	976	1846
	40080	470 3/16 x 96	24691	25051	27288	5383	2349	4143	5440	2490	2008	1170	N/A	Inc.	1152	1657	N/A	2180

Always check with your local building officials for compliance requirements.



Aluminum Sliding Glass Door

Series SGD780

8'0" Pocket

Available in White & Bronze

List Price

SERIES SGD780

Unit Designation & Configuration	Size Code	Width x Height	LAMINATED GLASS 7/16" 3/16" ANN - .090 - 3/16" HS			ADD TO LIST PRICE FOR THESE OPTIONS											Main Frame only
			Clear	Bronze Gray Green Obscure	Az Blue Slr Cool	Premium Frame Color	Premium Frame Color Muntins	1 1/16" Lami IG	1 1/16" Lami CIG	Low-E	Ogee Double Raised Colonial	SGP	Alum Reinf	HS / TMP Glass	White Interlayer		
1P2T 1 POCKET	3080	34 7/16 x 96	\$1972	\$1996	\$2140	\$447	\$199	\$284	\$338	\$171	\$170	\$87	N/A	\$124	\$98	\$300	
	4080	46 7/16 x 96	2439	2471	2674	553	234	401	477	241	200	108	N/A	166	130	326	
	5080	58 7/16 x 96	3023	3065	3324	658	293	517	680	311	251	Inc.	N/A	207	N/A	353	
2P2T 1 POCKET	5080	56 1/8 x 96	3027	3064	3294	686	316	453	539	272	270	134	192	207	162	356	
	6080	68 1/8 x 96	3480	3526	3814	788	398	569	677	342	340	154	192	249	195	384	
	8080	92 1/8 x 96	4386	4451	4854	994	469	802	955	482	401	194	192	331	261	437	
	10080	116 1/8 x 96	5731	5815	6333	1246	586	1035	1232	622	501	Inc.	192	414	N/A	491	
3P3T 1 POCKET	7680	83 13/16 x 96	4484	4540	4887	1016	597	679	808	408	510	199	384	311	296	534	
	9080	101 13/16 x 96	5177	5247	5679	1173	597	854	1016	513	510	230	384	373	296	585	
	12080	137 13/16 x 96	6564	6661	7266	1487	706	1204	1432	723	603	291	384	497	393	689	
	15080	173 13/16 x 96	8713	8838	9615	1896	881	1553	1848	933	753	Inc.	384	621	N/A	794	
4P4T 1 POCKET	10080	111 1/2 x 96	5954	6029	6490	1349	632	906	1078	544	540	264	576	414	325	644	
	12080	135 1/2 x 96	6890	6983	7560	1561	796	1139	1355	684	680	306	576	497	390	727	
	16080	183 1/2 x 96	8762	8891	9698	1986	940	1605	1910	964	803	389	576	663	520	894	
	20080	231 1/2 x 96	11720	11886	12922	2551	1174	2071	2464	1245	1004	Inc.	576	828	N/A	1061	
2P2T 2 POCKET	5080	56 3/8 x 96	3220	3258	3488	729	316	453	539	272	270	143	N/A	207	162	492	
	6080	68 3/8 x 96	3687	3733	4022	835	398	569	677	342	340	163	N/A	249	195	518	
	8080	92 3/8 x 96	4621	4686	5089	1047	469	802	955	482	401	205	N/A	331	261	571	
	10080	116 3/8 x 96	5788	5871	6389	1259	586	1035	1232	622	501	Inc.	N/A	414	N/A	618	
4P2T 2 POCKET	10080	111 11/16 x 96	5796	5870	6332	1313	632	906	1078	544	540	257	384	414	325	631	
	12080	135 11/16 x 96	6701	6794	7371	1519	796	1139	1355	684	680	297	384	497	390	685	
	16080	183 11/16 x 96	8513	8643	9449	1929	940	1605	1910	964	803	378	384	663	520	791	
	20080	231 11/16 x 96	11203	11370	12406	2434	1174	2071	2464	1245	1004	Inc.	384	828	N/A	898	
6P3T 2 POCKET	15080	167 1/16 x 96	9333	9453	10202	2115	948	1359	1617	817	810	414	768	621	592	940	
	18080	203 1/16 x 96	10830	10981	11914	2454	1192	1709	2033	1027	1019	481	768	746	592	1043	
	24080	275 1/16 x 96	13824	14034	15340	3133	1409	2408	2865	1447	1204	614	768	994	788	1250	
	30080	347 1/16 x 96	18409	18679	20358	4015	1760	3107	4080	1867	1505	Inc.	768	124	N/A	1458	
8P4T 2 POCKET	20080	222 3/8 x 96	12430	12590	13588	2817	1262	1812	2156	1089	1079	552	1152	828	650	1211	
	24080	270 3/8 x 96	14451	14652	15898	3275	1590	2278	2711	1369	1359	642	1152	994	780	1378	
	32080	366 3/8 x 96	18495	18775	20517	4192	1879	3210	3820	1929	1606	822	1152	1325	976	1710	
	40080	462 3/8 x 96	24808	25168	27405	5413	2349	4143	5440	2490	2008	Inc.	1152	1657	N/A	2044	

Always check with your local building officials for compliance requirements.



Aluminum Sliding Glass Door

Series SGD780

9'0" By-Pass

Available in White & Bronze

List Price

SERIES SGD780

Unit Designation & Configuration	Size Code	Width x Height	LAMINATED GLASS 7/16" 3/16" ANN - .090 - 3/16" HS			ADD TO LIST PRICE FOR THESE OPTIONS											Main Frame only
			Clear	Bronze Gray Green	Az Blue Slr Cool	Premium Frame Color	Premium Frame Color Muntins	1 1/16" Lami IG	1 1/16" Lami CIG	Low-E	Ogee Double Raised Colonial	Box Screen	Double Interlock	Alum Reinf	HS / TMP Glass		
2P2T XX, OX, XO	5090	60 x 108	\$3663	\$3708	\$3988	\$778	\$362	\$518	\$680	\$311	\$310	\$166	\$40	\$221	\$233	\$445	
	6090	72 x 108	4186	4242	4592	889	457	651	855	391	391	175	40	221	280	472	
	8090	96 x 108	5232	5312	5801	1111	541	917	1204	551	463	192	40	221	373	525	
3P3T XXX, XXO, OXX	7690	87 11/16 x 108	5350	5417	5838	1136	685	777	1020	467	586	334	80	441	350	629	
	9090	105 11/16 x 108	6152	6237	6761	1307	788	976	1282	587	674	353	80	441	420	681	
	12090	141 11/16 x 108	7755	7874	8608	1648	811	1376	1807	827	694	392	80	441	559	785	
4P2T XXXX, OXXO	10090	119 7/16 x 108	7060	7151	7711	1500	724	1036	1360	622	619	296	N/A	441	467	792	
	12090	143 7/16 x 108	8108	8221	8921	1723	914	1302	1710	782	782	313	N/A	441	559	845	
	16090	191 7/16 x 108	10202	10359	11338	2168	1082	1835	2409	1102	925	348	N/A	441	746	952	
4P4T XXXX, OXXX, XXXO	10090	115 3/8 x 108	7107	7196	7756	1510	724	1036	1360	622	619	508	120	662	467	734	
	12090	139 3/8 x 108	8201	8314	9014	1742	914	1302	1710	782	782	539	120	662	559	816	
	16090	187 3/8 x 108	10391	10549	11527	2208	1082	1835	2409	1102	925	602	120	662	746	983	
3P2T OXO	9090	109 3/4 x 108	5809	5893	6419	1234	685	976	1282	587	586	180	N/A	221	420	753	
	12090	145 3/4 x 108	7391	7508	8243	1570	811	1376	1807	827	694	223	N/A	221	559	834	
6P3T XXXXXX, OXXXXX	15090	174 3/4 x 108	11187	11333	12241	2377	1085	1554	2040	934	928	602	N/A	883	699	1106	
	18090	210 3/4 x 108	12919	13101	14235	2745	1372	1953	2565	1174	1173	640	N/A	883	839	1210	
	24090	282 3/4 x 108	16384	16639	18223	3481	1625	2752	3614	1654	1389	717	N/A	883	1118	1417	
8P4T XXXXXXXX, OXXXXXO	20090	230 3/16 x 108	14900	15095	16305	3166	1449	2072	2721	1245	1239	922	N/A	1324	932	1365	
	24090	278 3/16 x 108	17265	17508	19020	3669	1829	2604	3420	1565	1564	984	N/A	1324	1118	1531	
	32090	374 3/16 x 108	21995	22336	24449	4674	2165	3670	4819	2205	1851	1108	N/A	1324	149	1865	

Always check with your local building officials for compliance requirements.

9'0" Pocket

Available in White & Bronze

List Price

SERIES SGD780

Unit Designation & Configuration	Size Code	Width x Height	LAMINATED GLASS 7/16" 3/16" ANN - .090 - 3/16" HS			ADD TO LIST PRICE FOR THESE OPTIONS									Main Frame only
			Clear	Bronze Gray Green	Az Blue Slr Cool	Premium Frame Color	Premium Frame Color Muntins	1 1/16" Lami IG	1 1/16" Lami CIG	Low-E	Ogee Double Raised Colonial	Alum Reinf	HS / TMP Glass		
1P2T 1 POCKET	3090	34 7/16 x 108	\$2394	\$2422	\$2597	\$508	\$228	\$325	\$427	\$195	\$195	N/A	\$140	\$317	
	4090	46 7/16 x 108	2947	2987	3232	626	270	458	602	275	231	N/A	186	344	
2P2T 1 POCKET	5090	56 1/8 x 108	3646	3692	3972	774	362	518	680	311	310	221	233	374	
	6090	68 1/8 x 108	4185	4241	4592	889	457	651	855	391	391	221	280	401	
	8090	92 1/8 x 108	5263	5341	5830	1118	541	917	1204	551	463	221	373	455	
3P3T 1 POCKET	7690	83 13/16 x 108	5366	5433	5854	1140	685	777	1020	467	586	441	350	558	
	9090	101 13/16 x 108	6189	6273	6797	1315	788	976	1282	587	674	441	420	609	
	12090	137 13/16 x 108	7833	7951	8685	1664	811	1376	1807	827	694	441	559	713	
4P4T 1 POCKET	10090	111 1/2 x 108	7098	7188	7748	1508	724	1036	1360	622	619	662	467	662	
	12090	135 1/2 x 108	8206	8319	9019	1743	914	1302	1710	782	782	662	559	744	
	16090	183 1/2 x 108	10425	10582	11561	2215	1082	1835	2409	1102	925	662	746	911	
2P2T 2 POCKET	5090	56 3/8 x 108	3859	3904	4184	820	362	518	680	311	310	N/A	233	509	
	6090	68 3/8 x 108	4413	4469	4819	937	457	651	855	391	391	N/A	280	535	
	8090	92 3/8 x 108	5520	5598	6087	1173	541	917	1204	551	463	N/A	373	589	
4P2T 2 POCKET	10090	111 11/16 x 108	6918	7007	7568	1470	724	1036	1360	622	619	441	467	649	
	12090	135 11/16 x 108	7995	8107	8807	1698	914	1302	1710	782	782	441	559	702	
	16090	183 11/16 x 108	10148	10306	11284	2156	1082	1835	2409	1102	925	441	746	809	
6P3T 2 POCKET	15090	167 1/16 x 108	11094	11241	12149	2357	1085	1554	2040	934	928	883	699	964	
	18090	203 1/16 x 108	12871	13053	14187	2735	1372	1953	2565	1174	1173	883	839	1067	
	24090	275 1/16 x 108	16424	16679	18263	3490	1625	2752	3614	1654	1389	883	1118	1274	
8P4T 2 POCKET	20090	222 3/8 x 108	14743	14938	16148	3133	1449	2072	2721	1245	1239	1324	932	1228	
	24090	270 3/8 x 108	17139	17382	18894	3642	1829	2604	3420	1565	1564	1324	1118	1395	
	32090	366 3/8 x 108	21930	22269	24384	4660	2165	3670	4819	2205	1851	1324	1491	1729	

Always check with your local building officials for compliance requirements.



Aluminum Sliding Glass Door

Series SGD780

10'0" By-Pass

Available in White & Bronze

List Price

SERIES SGD780

Unit Designation & Configuration	Size Code	Width x Height	LAMINATED GLASS 7/16" 3/16" ANN - .090 - 3/16" HS			ADD TO LIST PRICE FOR THESE OPTIONS											Main Frame only
			Clear	Bronze Gray Green	Az Blue Slr Cool	Premium Frame Color	Premium Frame Color Muntins	1 1/16" Lami IG	1 1/16" Lami CIG	Low-E	Ogee Double Raised Colonial	Box Screen	Double Interlock	Alum Reinf	HS / TMP Glass		
2P2T XX, OX, XO	5010	60 x 120	\$3988	\$4039	\$4353	\$847	\$408	\$582	\$765	\$350	\$349	\$177	\$45	\$246	\$259	\$463	
	6010	72 x 120	4568	4630	5023	970	518	732	962	440	443	186	45	246	311	489	
	8010	96 x 120	5725	5813	6361	1216	613	1032	1355	620	524	204	45	246	414	543	
3P3T XXX, XXO, OXX	7610	87 11/16 x 120	5840	5916	6387	1241	775	874	1148	525	663	354	88	492	388	653	
	9010	105 11/16 x 120	6725	6819	7408	1429	919	1099	1443	660	786	374	88	492	467	704	
	12010	141 11/16 x 120	8496	8627	9450	1805	980	1548	2033	930	838	414	88	492	621	808	
4P2T XXXX, OXXO	10010	119 7/16 x 120	7701	7802	8430	1636	816	1165	1530	700	698	314	N/A	492	518	810	
	12010	143 7/16 x 120	8858	8985	9769	1882	1034	1465	1924	880	884	332	N/A	492	621	863	
	16010	191 7/16 x 120	11174	11350	12448	2374	1224	2064	2711	1241	1047	368	N/A	492	828	970	
4P4T XXXX, OXXX, XXXO	10010	115 3/8 x 120	7760	7861	8490	1649	816	1165	1530	700	698	538	133	739	518	751	
	12010	139 3/8 x 120	8966	9092	9877	1905	1034	1465	1924	880	884	570	133	739	621	834	
	16010	187 3/8 x 120	11377	11554	12651	2417	1224	2064	2711	1241	1047	634	133	739	828	1001	
3P2T OXO	9010	109 3/4 x 120	6376	6471	7059	1355	775	874	1443	660	663	191	N/A	246	467	772	
	12010	145 3/4 x 120	8124	8257	9079	1726	919	1099	2033	930	786	206	N/A	246	621	851	
6P3T XXXXXX, OXXXXX	15010	174 3/4 x 120	12224	12387	13405	2597	1223	1748	2296	1050	1046	637	N/A	985	777	1130	
	18010	210 3/4 x 120	14135	14340	15610	3003	1552	2198	2886	1321	1327	677	N/A	985	932	1234	
	24010	282 3/4 x 120	17959	18322	20022	3816	1839	3097	4067	1861	1572	756	N/A	985	1243	1441	
8P4T XXXXXXXX, OXXXXXO	20010	230 3/16 x 120	16282	16500	17858	3459	1635	2331	3061	1401	1398	974	N/A	1477	1036	1383	
	24010	278 3/16 x 120	18886	19158	20854	4013	2068	2931	3848	1761	1768	1038	N/A	1477	1243	1549	
	32010	374 3/16 x 120	24095	24476	26846	5120	2452	4129	5422	2482	2096	1166	N/A	1477	1657	1882	

Always check with your local building officials for compliance requirements.

10'0" Pocket

Available in White & Bronze

List Price

SERIES SGD780

Unit Designation & Configuration	Size Code	Width x Height	LAMINATED GLASS 7/16" 3/16" ANN - .090 - 3/16" HS			ADD TO LIST PRICE FOR THESE OPTIONS								Main Frame only
			Clear	Bronze Gray Green	Az Blue Slr Cool	Premium Frame Color	Premium Frame Muntins	1 1/16" Lami IG	1 1/16" Lami CIG	Low-E	Ogee Double Raised Colonial	Alum Reinf	HS / TMP Glass	
1P2T 1 POCKET	3010	34 7/16 x 120	\$2608	\$2639	\$2835	\$554	\$258	\$366	\$481	\$220	\$221	N/A	\$156	\$335
	4010	46 7/16 x 120	3217	3261	3535	683	306	516	677	310	262	N/A	207	362
2P2T 1 POCKET	5010	56 1/8 x 120	3988	4039	4353	847	408	582	765	350	349	\$246	259	392
	6010	68 1/8 x 120	4583	4645	5038	973	518	732	962	440	443	246	311	419
	8010	92 1/8 x 120	5770	5858	6407	1226	613	1032	1355	620	524	246	414	472
3P3T 1 POCKET	7610	83 13/16 x 120	5871	5948	6419	1247	775	874	1148	525	663	492	388	582
	9010	101 13/16 x 120	6777	6872	7460	1440	919	1099	1443	660	786	492	467	633
	12010	137 13/16 x 120	8588	8720	9543	1825	980	1548	2033	930	838	492	621	737
4P4T 1 POCKET	10010	111 1/2 x 120	7768	7868	8497	1650	816	1165	1530	700	698	739	518	679
	12010	135 1/2 x 120	8987	9113	9898	1909	1034	1465	1924	880	884	739	621	763
	16010	183 1/2 x 120	11427	11603	12700	2428	1224	2064	2711	1241	1047	739	828	929
2P2T 2 POCKET	5010	56 3/8 x 120	4206	4256	4571	893	408	582	765	350	349	N/A	259	526
	6010	68 3/8 x 120	4815	4878	5271	1023	518	732	962	440	443	N/A	311	554
	8010	92 3/8 x 120	6033	6120	6669	1282	613	1032	1355	620	524	N/A	414	607
4P2T 2 POCKET	10010	111 11/16 x 120	7576	7677	8305	1609	816	1165	1530	700	698	492	518	667
	12010	135 11/16 x 120	8764	8889	9674	1862	1034	1465	1924	880	884	492	621	720
	16010	183 11/16 x 120	11139	11315	12413	2367	1224	2064	2711	1241	1047	492	828	827
6P3T 2 POCKET	15010	167 1/16 x 120	12151	12315	13332	2582	1223	1748	2296	1050	1046	985	777	988
	18010	203 1/16 x 120	14107	14312	15582	2997	1552	2198	2886	1321	1327	985	932	1091
	24010	275 1/16 x 120	18018	18305	20082	3828	1839	3097	4067	1861	1572	985	1243	1298
8P4T 2 POCKET	20010	222 3/8 x 120	16145	16363	17720	3430	1635	2331	3061	1401	1398	1477	1036	1247
	24010	270 3/8 x 120	18780	19052	20746	3990	2068	2931	3848	1761	1768	1477	1243	1413
	32010	366 3/8 x 120	24050	24430	26802	5110	2452	4129	5422	2482	2096	1477	1657	1746

Always check with your local building officials for compliance requirements.



Aluminum Sliding Glass Door

Series SGD780

LIST PRICES FOR PARTS

		FULL LENGTH	LIST PRICE	CUT SIZES AND PARTS
FRAME HEADER	2 - Track	\$ 254.47 EA		\$ 14.69 FT
FRAME HEADER	2 - Track w/screen	\$ 619.85 EA		\$ 35.78 FT
FRAME HEADER	3 - Track	\$ 772.06 EA		\$ 44.57 FT
FRAME HEADER	4 - Track	\$1271.54 EA		\$ 73.41 FT
FRAME JAMB	2 - Track	\$ 314.98 EA		\$ 27.85 FT
FRAME JAMB	2 - Track	6' 8"		\$185.67 EA
FRAME JAMB	2 - Track	8' 0"		\$222.80 EA
FRAME JAMB	2 - Track	9' 0"		\$250.65 EA
FRAME JAMB	2 - Track	10' 0"		\$278.50 EA
FRAME JAMB	2 - Track w/screen	\$ 367.08 EA		\$ 32.46 FT
FRAME JAMB	2 - Track w/screen	6' 8"		\$216.40 EA
FRAME JAMB	2 - Track w/screen	8' 0"		\$259.68 EA
FRAME JAMB	2 - Track w/screen	9' 0"		\$292.14 EA
FRAME JAMB	2 - Track w/screen	10' 0"		\$324.60 EA
FRAME JAMB	3 - Track	\$ 421.54 EA		\$ 37.27 FT
FRAME JAMB	3 - Track	6' 8"		\$248.47 EA
FRAME JAMB	3 - Track	8' 0"		\$298.16 EA
FRAME JAMB	3 - Track	9' 0"		\$335.43 EA
FRAME JAMB	3 - Track	10' 0"		\$372.70 EA
FRAME JAMB	4 - Track	\$ 423.86 EA		\$ 64.00 FT
FRAME JAMB	4 - Track	6' 8"		\$426.67 EA
FRAME JAMB	4 - Track	8' 0"		\$512.00 EA
FRAME JAMB	4 - Track	9' 0"		\$576.00 EA
FRAME JAMB	4 - Track	10' 0"		\$640.00 EA
FRAME SILL	2 - Track	\$ 668.83 EA		\$ 38.61 FT
FRAME SILL	3 - Track	\$1053.41 EA		\$ 60.82 FT
FRAME SILL	4 - Track	\$1266.96 EA		\$ 73.14 FT
SILL RISER	1 5/8"	\$ 68.42 EA		\$ 3.39 FT
SILL RISER	2 3/4"	\$ 130.24 EA		\$ 7.52 FT
SILL RISER	3 1/2"	\$ 163.93 EA		\$ 8.11 FT
SILL RISER	4 1/2"	\$ 212.83 EA		\$ 14.00 FT
SILL RISER	5 1/4"	\$ 270.46 EA		\$ 16.00 FT
SILL COVER	Int-Ext	\$ 68.42 EA		\$ 3.39 FT
SILL COVER	Ext w/screen	\$ 81.58 EA		\$ 4.71 FT
SILL COVER	Mid	\$ 94.64 EA		\$ 5.46 FT
FRAME SCREW COVER		\$ 22.00 EA		\$ 1.09 FT

NOTE: Size of full length vary based on availability.

**PLEASE SPECIFY WINDOW COLOR, SIZE, GLASS, ALL PARTS
FOR PREMIUM COLORS PLEASE CALL FOR PARTS PRICING**



Aluminum Sliding Glass Door

Series SGD780

LIST PRICES FOR PARTS

	FULL LENGTH	CUT SIZES AND PARTS
SCREEN FRAME HEAD ADAPTER	\$ 39.94 EA	\$ 3.75 FT
SCREEN FRAME JAMB ADAPTER	\$ 39.94 EA	\$ 3.22 FT
SCREEN FRAME JAMB ADAPTER	6' 8"	\$ 21.47 EA
SCREEN FRAME JAMB ADAPTER	8' 0"	\$ 25.76 EA
SCREEN FRAME JAMB ADAPTER	9' 0"	\$ 28.98 EA
SCREEN FRAME JAMB ADAPTER	10' 0"	\$ 32.20 EA
SCREEN FRAME SILL ADAPTER	\$ 75.67 EA	\$ 4.37 FT
FRAME HOOKSTRIP	\$ 85.98 EA	\$ 7.60 FT
FRAME HOOKSTRIP	6' 8"	\$ 50.67 EA
FRAME HOOKSTRIP	8' 0"	\$ 60.80 EA
FRAME HOOKSTRIP	9' 0"	\$ 68.40 EA
FRAME HOOKSTRIP	10' 0"	\$ 76.00 EA
HOOKSTRIP MOUNT	\$382.30 EA	\$ 33.80 FT
HOOKSTRIP MOUNT	6' 8"	\$225.33 EA
HOOKSTRIP MOUNT	8' 0"	\$270.40 EA
HOOKSTRIP MOUNT	9' 0"	\$304.20 EA
HOOKSTRIP MOUNT	10' 0"	\$338.00 EA
PANEL STILE	\$213.14 EA	\$ 18.85 FT
PANEL FIXED STILE ADAPTER	\$ 88.77 EA	\$ 7.85 FT
PANEL LOCKING STILE ADAPTER	\$ 88.77 EA	\$ 7.85 FT
PANEL SINGLE INTERLOCK	\$147.52 EA	\$ 13.04 FT
PANEL DOUBLE INTERLOCK	\$241.00 EA	\$ 21.31 FT
PANEL INTERLOCK SCREW COVER -WHITE	\$ 12.44 EA	\$.94 FT
PANEL INTERLOCK SCREW COVER - BRONZE	\$ 12.44 EA	\$ 1.13 FT
ALUMINUM REINFORCEMENT	\$443.01 EA	\$ 40.38 FT
PANEL ASTRAGAL ADAPTER	\$653.03 EA	\$ 57.74 FT
PANEL ASTRAGAL SCREW COVER	\$ 22.00 EA	\$ 1.09 FT
PANEL TOP RAIL	\$256.69 EA	\$ 27.29 FT
PANEL BOTTOM RAIL (LOW)	\$256.69 EA	\$ 27.29 FT
PANEL BOTTOM RAIL (HIGH)	\$460.24 EA	\$ 48.94 FT
PANEL TOP RAIL ADAPTER	\$ 96.71 EA	\$ 10.28 FT
PANEL BOTTOM RAIL ADAPTER W/O ROLLERS	\$ 96.71 EA	\$ 10.28 FT
CORNER LOCKING ASTRAGAL	\$337.13 EA	\$ 30.26 FT
CORNER ASTRAL RECEIVING	\$420.68 EA	\$ 37.20 FT
CORNER ASTRAGAL SCREW COVER	\$ 22.00 EA	\$ 1.09 FT

NOTE: Size of full length vary based on availability.

**PLEASE SPECIFY WINDOW COLOR, SIZE, GLASS, ALL PARTS
FOR PREMIUM COLORS PLEASE CALL FOR PARTS PRICING**



Aluminum Sliding Glass Door

Series SGD780

LIST PRICES FOR PARTS

	FULL LENGTH	LIST PRICE	CUT SIZES AND PARTS
7/16" GLAZING BEAD	\$ 28.98 EA	\$	1.92 FT
9/16" GLAZING BEAD	\$ 26.11 EA	\$	2.11 FT
1 1/16" GLAZING BEAD	\$ 17.68 EA	\$	1.43 FT
INTERIOR GLAZING BEAD	\$ 15.16 EA	\$	1.17 FT
FRAME DUST PLUG HIGH BLACK		\$	1.89 EA
FRAME DUST PLUG HIGH GRAY		\$	1.89 EA
FIXED PANEL BRACKET		\$	6.80 EA
TANDEM ROLLER NYLON		\$	88.44 EA
TANDEM ROLLER SS		\$	133.50 EA
4 HOLE BUMPER STOP		\$	3.14 EA
COME-A-LONG		\$	1.89 EA
PANEL DUST PLUG		\$	1.89 EA
ROLLER ADJUSTMENT HOLE PLUG		\$.63 EA
BACK BUMPER (FRAME JAMB)		\$	1.26 EA
MORTISE GEMINI DUAL POINT LOCK		\$	81.12 EA
CORNER DOOR GEMINI SECONDARY LOCK		\$	89.58 EA
MAINFRAME ASSEMBLY SCREW		\$.32 EA
FRAME JAMB BUMPER SCREW		\$.32 EA
COME-A-LONG SCREW		\$.63 EA
BUMPER STOP SCREW		\$.63 EA
"O" PANEL BRACKET SCREW #10x 3/4"		\$.63 EA
"O" PANEL BRACKET SCREW #8X 1/2" (BAG OF 8)		\$.32 EA
INTERLOCK ATTACHMENT SCREW		\$.63 EA
PANEL ASSEMBLY LAGBOLT (SS)		\$	1.89 EA
ROLLER INSTALLATION SCREW		\$.63 EA
FINSEAL		\$.32 EA
INTERLOCK BULB WEATHERSTRIP		\$.32 EA
OPEN-CELL FOAM PAD		\$.63 EA
BEAD BULB		\$.32 EA
CORNER ASTRAGAL WESTHERSTRIP		\$.63 EA

NOTE: Size of full length vary based on availability.

**PLEASE SPECIFY WINDOW COLOR, SIZE, GLASS, ALL PARTS
FOR PREMIUM COLORS PLEASE CALL FOR PARTS PRICING**



Aluminum Sliding Glass Door

Series SGD780

LIST PRICES FOR PARTS

	CUT SIZES AND PARTS
1" MORTISE KEEPER (TALL) SS	\$ 26.04 EA
3/4" MORTISE KEEPER (SHALLOW) SS	\$ 21.78 EA
MORTISE LATCH ASSEMBLY SCREW	\$.63 EA
TINNERMAN NUT	\$ 1.89 EA
ACTIVE HANDLE KIT NON-KEYED BLACK.....	\$144.06 EA
ACTIVE HANDLE KIT NON-KEYED WHITE.....	\$144.06 EA
ACTIVE HANDLE KIT NON-KEYED SATIN NICKEL	\$355.74 EA
ACTIVE HANDLE KIT NON-KEYED BRASS	\$355.74 EA
ACTIVE HANDLE KIT KEYED BLACK	\$159.00 EA
ACTIVE HANDLE KIT KEYED WHITE	\$159.00 EA
ACTIVE HANDLE KIT KEYED SATIN NICKEL	\$378.00 EA
ACTIVE HANDLE KIT KEYED BRASS	\$378.00 EA
INACTIVE HANDLE KIT BLACK	\$136.20 EA
INACTIVE HANDLE KIT WHITE	\$136.20 EA
INACTIVE HANDLE KIT SATIN NICKEL.....	\$340.56 EA
INACTIVE HANDLE KIT BRASS	\$340.56 EA

NOTE: Size of full length vary based on availability.

PLEASE SPECIFY WINDOW COLOR, SIZE, GLASS, ALL PARTS
FOR PREMIUM COLORS PLEASE CALL FOR PARTS PRICING